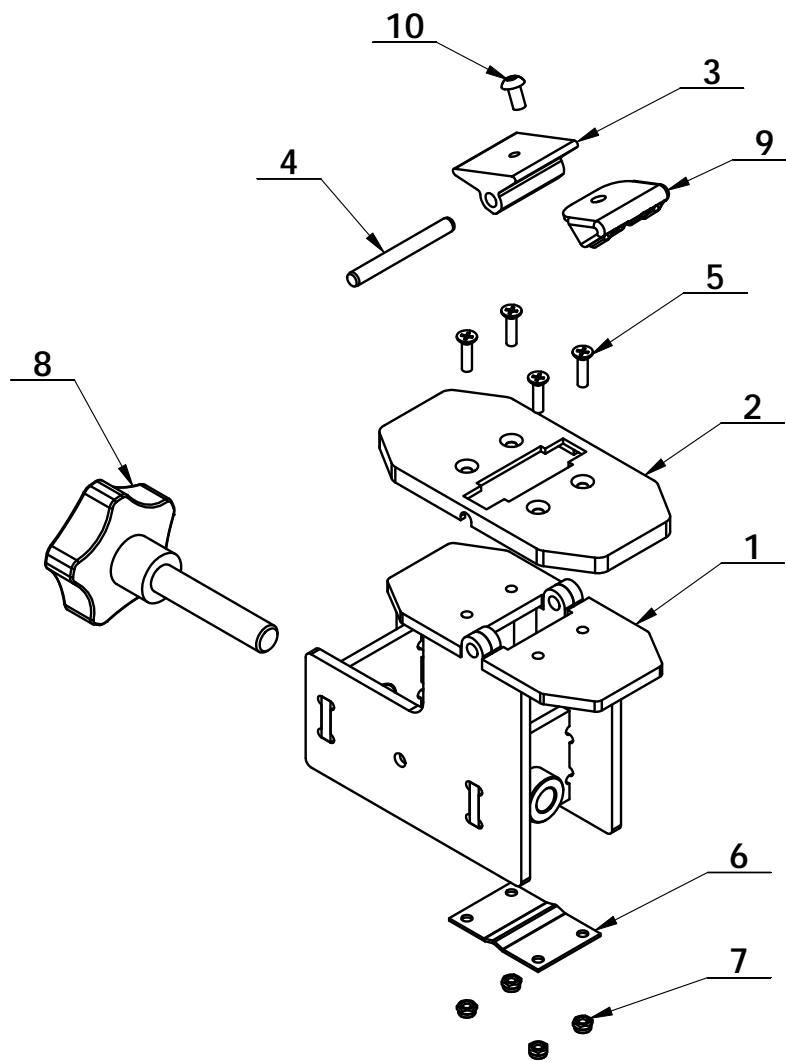


C-M-0200000A



ITEM	PART. No	DESCRIPTION.	QT. Y
1	C-M-0210000C	THE SPECIFIC FOLDER	1
2	C-M-0200001	COVER	1
3	C-M-0200002A	JAW	1
4	GB119. 1-6×55	CYLINDRICAL PIN	1
5	GB819. 1-M4×16-H	CROSS COUNTERSUNK SCREW STEEL 4.8 GRADE	4
6	C-M-0100006	SPRING PIECE	1
7	GB889. 1-M4	1-TYPE PREVAILING TORQUE TYPE HEXAGON LOCK NUT	4
8	C-M-0300001	HANDLE WHEEL	1
9	C-M-0200003	JAW COVER	1
10	GB70. 2-M5×10	INNER HEXA CYLINDRICAL ROUND HEAD SCREW	1