



ASSEMBLY / OPERATION INSTRUCTIONS



1,500LB CAPACITY

'Low Profile / Stand-Up'
Motorcycle Dolly

Model: 03-CGPR1500-01

WARNING

BEFORE USE
PLEASE READ ALL WARNINGS AND
INSTRUCTIONS TO PREVENT SERIOUS INJURY

Specifications

Weight Capacity	1,500 lbs
Dimensions	85”L x 37.8”W x 17.4”H
Surface Area	7’1” Length x 3’2” Width
(See Detailed Exploded Views & Parts List on pages 4 & 5)	

Assembly Instructions

1. **Carefully unpack contents from boxes & check for missing or broken parts.**
(If any parts are found to be missing or broken, please contact Drop-Tail Trailers @ 877-284-9008.)
 2. **Mount only the 6ea Caster Wheels (8) to the center section of the V-Channel Platform (1), by utilizing the Flat Washers (10), Lock Washers (11) and Hex Nuts (12) as shown on the Exploded View.**
 3. **To mount the rear Casters to the V-Channel, first locate the V-Channel Support Plate (3), Bracket A (6), Bracket B (7) and the Rear Ramp / Brake Assembly (5) before installing the rear Casters.**
 4. **To install the rear two Casters and Rear Ramp / Brake Assembly, first insert Bracket A (6) over the Rear Brake Lock handle (5) along with Bracket B (7) for the opposite side as shown in Exploded View.**
 5. **Position the V-Channel Support Plate (3) between Brackets A and B before connecting the Rear Ramp / Brakes assembly and Caster Wheels to V-Channel.**
 6. **To mount the front Casters and Stabilizer Support Bar assembly to the V-Channel, first locate the Front Ramp / Brake Assembly (4), Stabilizer Support Bar (2), Brackets (A) and (B), Hex Bolts (13), Flat Washers (9), Lock Washers (10) and Hex Nuts (11).**
 7. **To install the front Casters and Stabilizer Support Bar assembly first insert Bracket B (7) over the Front Brake Lock handle (4) along with Bracket A (6) for the opposite side.**
 8. **Position the Front Ramp / Brake and Bracket assembly under the Stabilizer Support Bar and connect to the V-Channel using Hex Bolts, Flat Washers, Lock Washers and Hex Nuts as shown in Exploded View.**
- NOTE: Ensure Washers are installed correctly, according to Exploded View make certain Casters are on same plane for proper function.**
9. **Locate and mount the remaining two Casters to each end of the Stabilizer Support Bar utilizing the Ring Nuts (14). Connect using Flat Washers, Lock Washers and Hex Nuts as shown in Exploded View.**
 10. **Apply the 12ea Plastic Caps (13) to all Hex Nuts. Press to secure. Also, install the Rubber Trim (17) ‘protective’ strips to each end of the Stabilizer Bar.**
 11. **Mount the PROMAX Wheel Chock to the front of the V-Channel using the four Three Arm Knob Screws (21) as shown in the Exploded View. Tighten firmly to secure.**

Operation Instructions

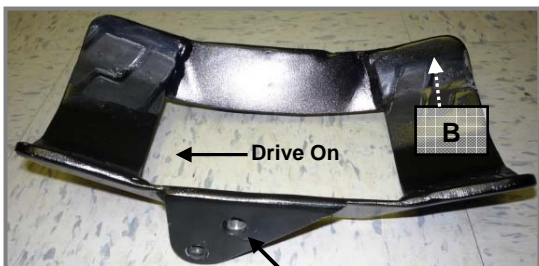
WARNINGS

- Before each use, check that Caster Wheels roll freely and are in proper working condition.
- Do not exceed maximum load capacity of 1,500 lbs.
- Only use CYCLE GLYDER PRO on level, dry surface that can handle a maximum weight distribution.
- Do not let children play on or around GLYDER when loaded or unloaded.

Loading Procedure:

1. Ensure the Front and Rear Ramp / Brake Assemblies are fully engaged to position the Caster Wheels off the floor surface. Check to ensure the Pivot Cup (19) for the PROMAX Wheel Chock is in the down position to properly engage and capture tire.
2. Pay close attention to properly center the bike in-line with the center of the CYCLE GLYDER PRO V-Channel Platform.
3. Slowly and carefully ride or walk the bike onto the CYCLE GLYDER PRO until the front wheel comes in contact and fully engages into the PROMAX Wheel Chock.

NOTE: Ensure Wheel Chock is properly adjusted to fit bike wheel as illustrated below.



IMPORTANT!
For CYCLE GLYDER PRO model:
Ensure the pivot point for the Pivot Cup is positioned to the upper hole.

For Proper Pivot Cup adjustment, ensure the front bike tire is fully contacting the 'front' Wedge Plate (A) and the Pivot Cup rotates against rear of tire for full contact of Wedge Plate (B).

4. Ensure the bike's power is turned off and in 1st gear.
5. Carefully dismount bike.

NOTE: If PROMAX Wheel Chock is correctly adjusted, the bike will self-stand.

6. For extra stability, use the 1" Drop-Tail Strap-Tyes (25) to tie down bike via the Ring Bolts (14) at each end of the Stabilizer Bar (2). This will further secure the bike by pulling forward. For this application, do NOT compress the front suspension.
7. Carefully disengage both the front & rear Ramp / Brake Assemblies to allow the CYCLE GLYDER PRO to rest on the Caster Wheels.
8. Your bike is now ready to 'Glyde' against a wall or corner area.

CAUTION

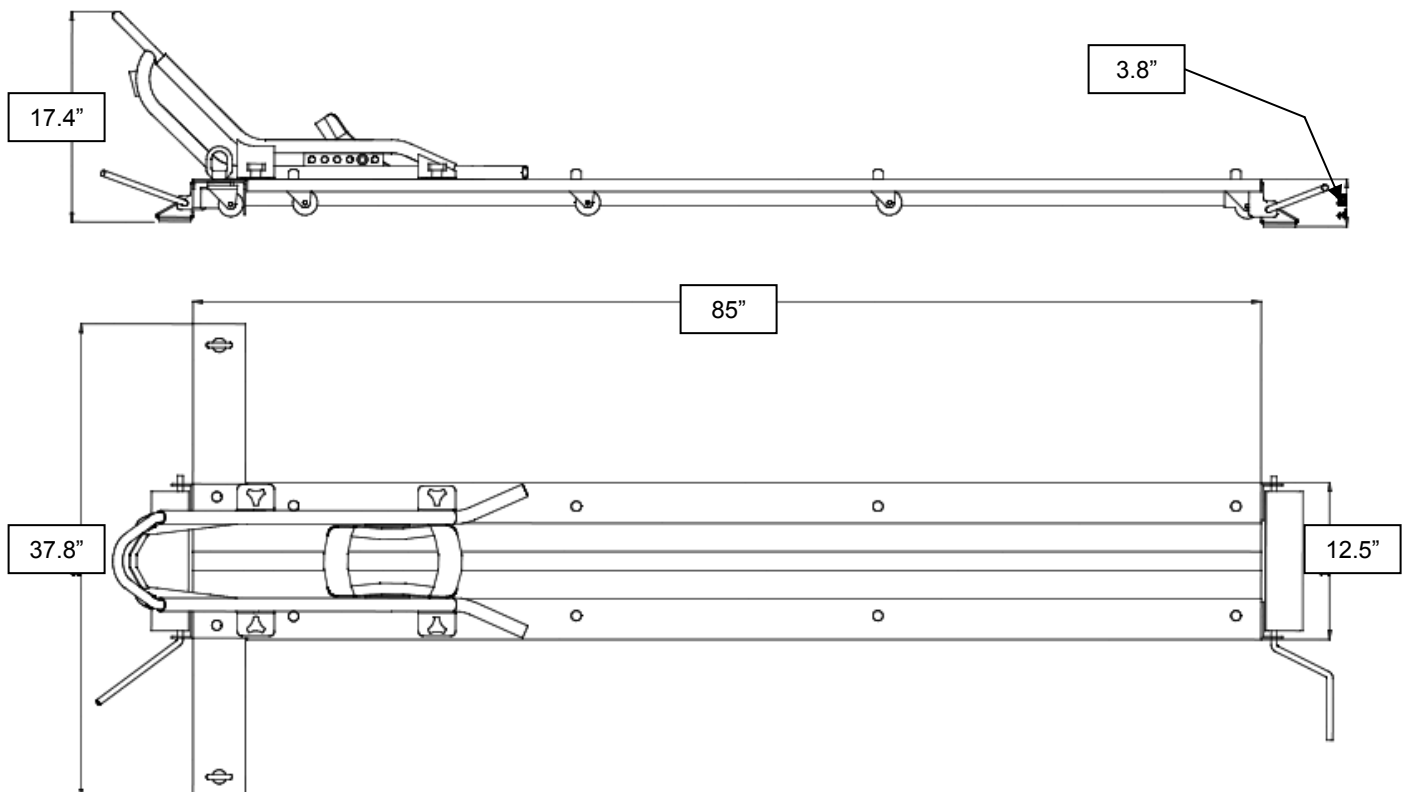
To avoid the potential of tipping the bike over, slowly and carefully move the GLYDER - paying close attention not to hit or jar while loaded.

Unloading Procedure:

1. Carefully position the 'loaded' CYCLE GLYDER PRO where you have enough room to safely back off.
2. Engage both, the rear and front Ramp / Brakes Assemblies to position the Caster Wheels off the floor surface.
3. Disengage Ratchet and remove Tie Down straps.
4. Slowly and carefully pull the bike out of the Wheel Chock and back the bike off the CYCLE GLYDER PRO.

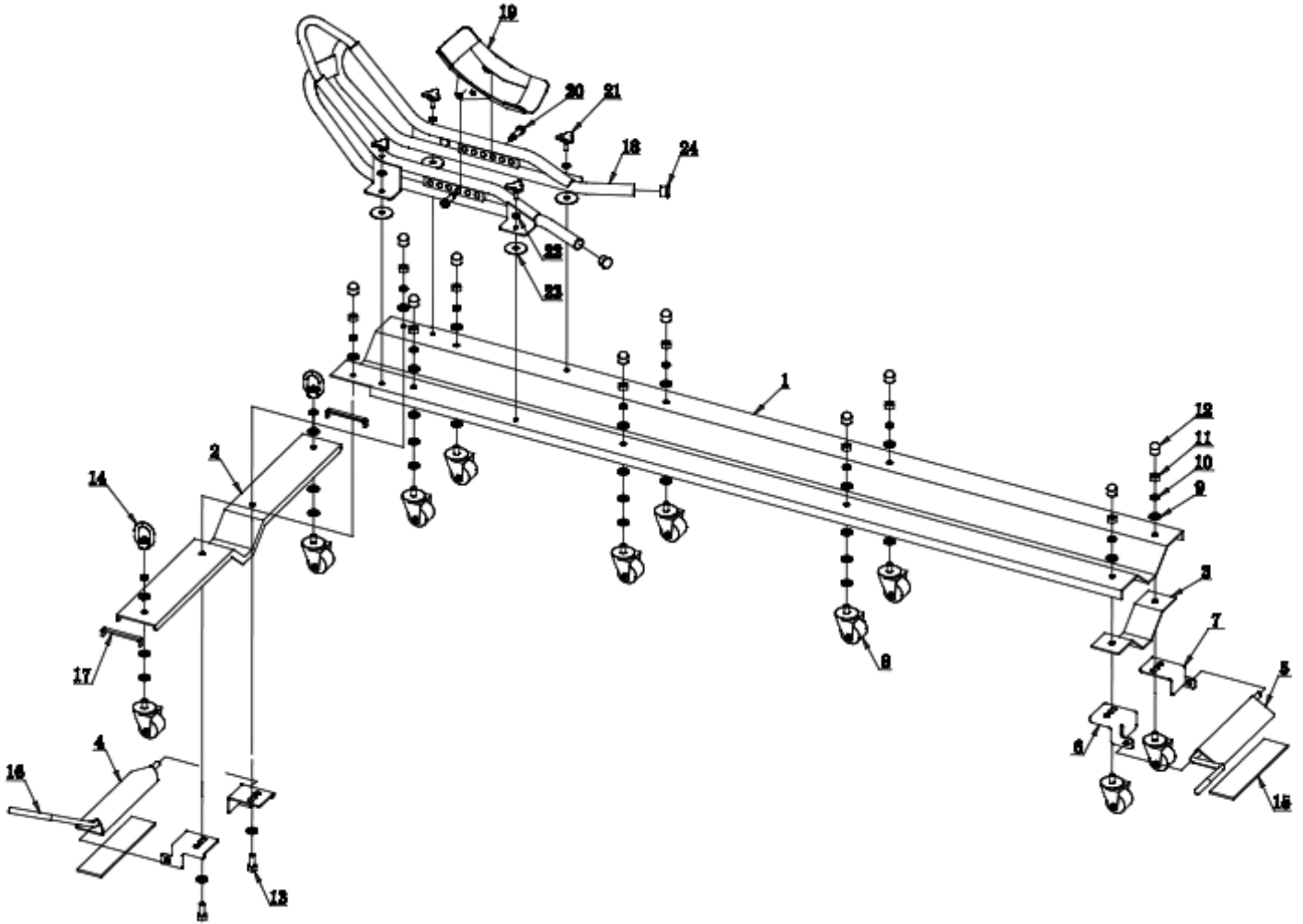
WARNING

To avoid injury, keep Hands, Fingers and Feet from underneath the CYCLE GLYDER PRO at all times.



Exploded View / Parts List

CYCLE GLYDER PRO



Item	Part Number	Description	Qty	Item	Part Number	Description	Qty
1	CG-3010	CGPR V-Channel Platform	1	13	14121002W	Hex Bolt 1/2"-13x1"	2
2	CG-3020	Stabilizer Support Bar	1	14	CG-3041	Ring Nut 1/2"	2
3	CG-1051	V-Channel Support Plate	1	15	CG-1062	Rubber Pad, Ramp / Brake	2
4	CG-1030	Front - Ramp / Brake Assy.	1	16	92120002Y	Vinyl Yellow Sleeve	2
5	CG-1040	Rear - Ramp / Brake Assy.	1	17	92000952B	Rubber Trim	2
6	CG-1053A	Bracket A, Ramp / Brake	2	18	DT2200-7110	Tubular Main Frame, PROMAX WC	1
7	CG-1053B	Bracket B, Ramp / Brake	2	19	DT2200-7120	Pivot Cup Weldment	1
8	92020122W	Caster Wheel 1/2"-13, Dia. 2"	10	20	13121008W	Shoulder Bolt 1/2"x1", 3/8"-16x5/8"	2
9	30120002W	Flat Washer φ12	30	21	92080252W	Three Arm Knob Screw M8x20mm	4
10	31130002W	Lock Washer 1/2"	12	22	30080002W	Flat Washer φ8	4
11	40120132W	Hex Nut 1/2"-13	10	23	DT2200-7131	Rubber Washer	4
12	92120132B	Plastic Cap, 1/2" Hex Nut	10	24	92270012B	Plastic Cap Plug φ27	2

			25	03-DSS1.0PR	DT Strap-Tyes w/ Plush Soft Tie (1pr) 1" x 7' 600lb Workload Rating	1
--	--	--	----	-------------	--	---

LIMITED WARRANTY POLICY

Limited Warranty Periods:

- **Hunting Equipment:** 1 Year (12 months) from the date of purchase.
- **Trailer Products:** 1 Year (12 months) from the original date of purchase.
- **Hydraulic Cylinders, Rams, Hose Assemblies, and Fittings:** 2 Years (24 months) from the date of purchase.
- **Sub-Component Items:** Many sub-component items are warranted separately by the respective manufactures and are covered by warranty of their manufacturer. Examples of such items may include safety harnesses and tie-down systems, wheels, tires, axles, bearings, lights, straps, chain, hardware and like items. The sub-components original manufactures product warranty supersedes and takes precedence over this limited warranty policy.

NOTE: ALL WARRANTY CLAIMS MUST BE PREAPPROVED BY THE MANUFACTURER (THE COMPANY) TO BE VALID.

Products are warranted to be free of defects in materials and/or workmanship for the warranty period. Under this limited warranty, the Company shall be limited to repairing or replacing, at its option, for the warranty period, those parts returned to the factory, freight prepaid, which in the opinion of the Company shall prove to be defective in materials or workmanship, under normal use and service. This warranty will not apply unless the product is installed, used and maintained in accordance with the Manufacturers installation, operation and maintenance instructions.

This warranty applies to the **ORIGINAL** purchaser only, and is non-transferable. The Company warrants the products to be free of defects in material and workmanship but, does not cover normal maintenance or adjustments, damage or malfunction caused by: improper handling, installation, abuse, misuse, negligence, carelessness of operation or normal wear and tear. In addition, this warranty does not cover equipment when repairs or alterations have been made or attempted without the express written consent of the company. Product repairs not covered by the warranty, and product updates, will be provided at the prevailing rate.

The Company is not responsible for damage caused by accident, negligence, abuse, overloading, misapplication, or misuse of the products. It is solely the purchaser's responsibility to determine the suitability of these products for the particular application. **Limitations:** All other obligations or liabilities, including incidental or consequential damages or contingent liabilities arising out of the failure of any parts to operate properly are hereby excluded, including but not limited to any damages resulting from loss of use, inconvenience, loss of time, commercial loss, or any other type of damages general or specific, foreseen or unforeseen, unless applicable state law provides otherwise.

THIS WARRANTY IS EXCLUSIVE AND IS IN LIEU OF ALL OTHER WARRANTIES EXPRESSED OR IMPLIED INCLUDING ANY IMPLIED WARRANTY OR MERCHANTABILITY OR ANY IMPLIED WARRANTY OF FITNESS FROM A PARTICULAR PURPOSE, AND ALL SUCH IMPLIED WARRANTIES ARE EXPRESSLY EXCLUDED.

THE REMEDIES DESCRIBED ARE EXCLUSIVE AND IN NO EVENT SHALL THE COMPANY, NOR ANY SALES AGENT OR OTHER COMPANIES AFFILIATED WITH IT OR THEM, BE LIABLE FOR SPECIAL CONSEQUENTIAL OR INCIDENTAL DAMAGES FOR THE BREACH OF OR DELAY IN PERFORMANCE OF THIS WARRANTY. THIS INCLUDES, BUT IS NOT LIMITED TO, LOSS OF PROFIT, RENTAL OR SUBSTITUTE EQUIPMENT OR OTHER COMMERCIAL LOSS.

This warranty shall be governed by the laws of the State of Texas, and shall be subject to the exclusive jurisdiction of the Court in the State of Texas in the County of Tarrant.

RETURNS: Products may not be returned without written approval (Return Material Authorization) from the Company.

Direct Outdoor Products, Drop Tail Trailers, United Hydraulics, LLC

Rev04152008