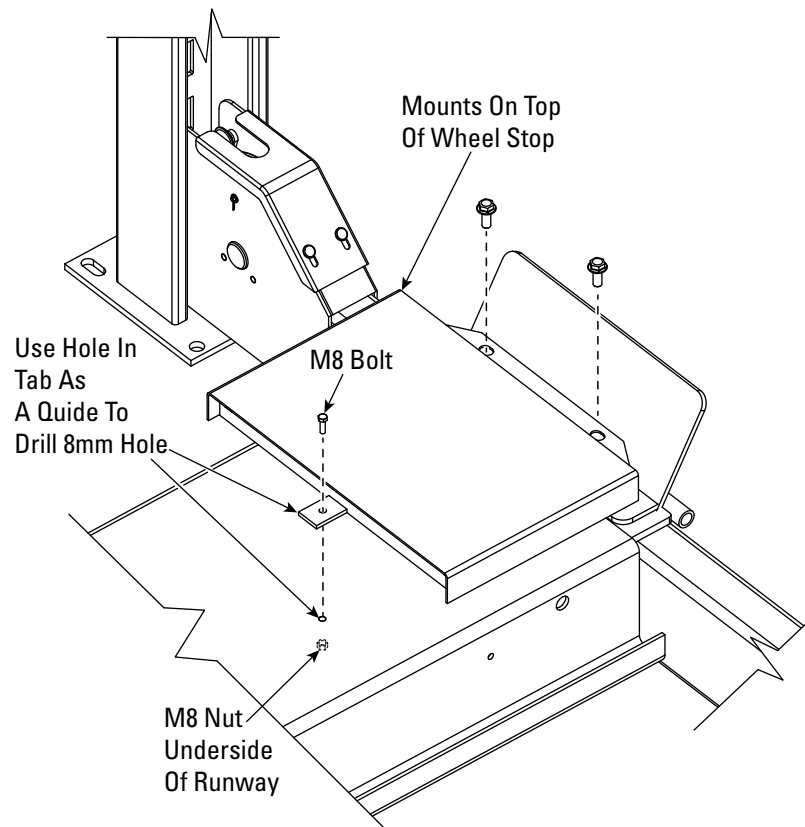


14,000 LBS. (6350 Kg.)
Bolt-on Alignment Kit
Installation Instructions
S100129, S100130, S100131
S100132, S100133, S100134
S100135, S100136, S100137

Model	Max Wheel Base	Max 2 Wheel Alignment	Max 4 Wheel Alignment	Min 4 Wheel Alignment
S100129	158"	142"	142"	89-1/4"
S100130	182"	160-1/2"	156-3/4"	89-1/4"
S100131	215"	195-1/2"	171-3/4"	89-1/4"
S100132	158"	142"	142"	89-1/4"
S100133	182"	160-1/2"	156-3/4"	89-1/4"
S100134	215"	195-1/2"	171-3/4"	89-1/4"
S100135	158"	142"	142"	89-1/4"
S100136	182"	160-1/2"	156-3/4"	89-1/4"
S100137	215"	195-1/2"	171-3/4"	89-1/4"

1. Remove bolts that attach front wheel stop and runway to yoke.
2. Place Front Spacer so that the bolt holes align with the wheel stop and runway holes. Bolt in place.
3. Drill 8mm hole through runway using the tab as a guide, insert bolt.

Note: Spacer rests on top of wheel stop.



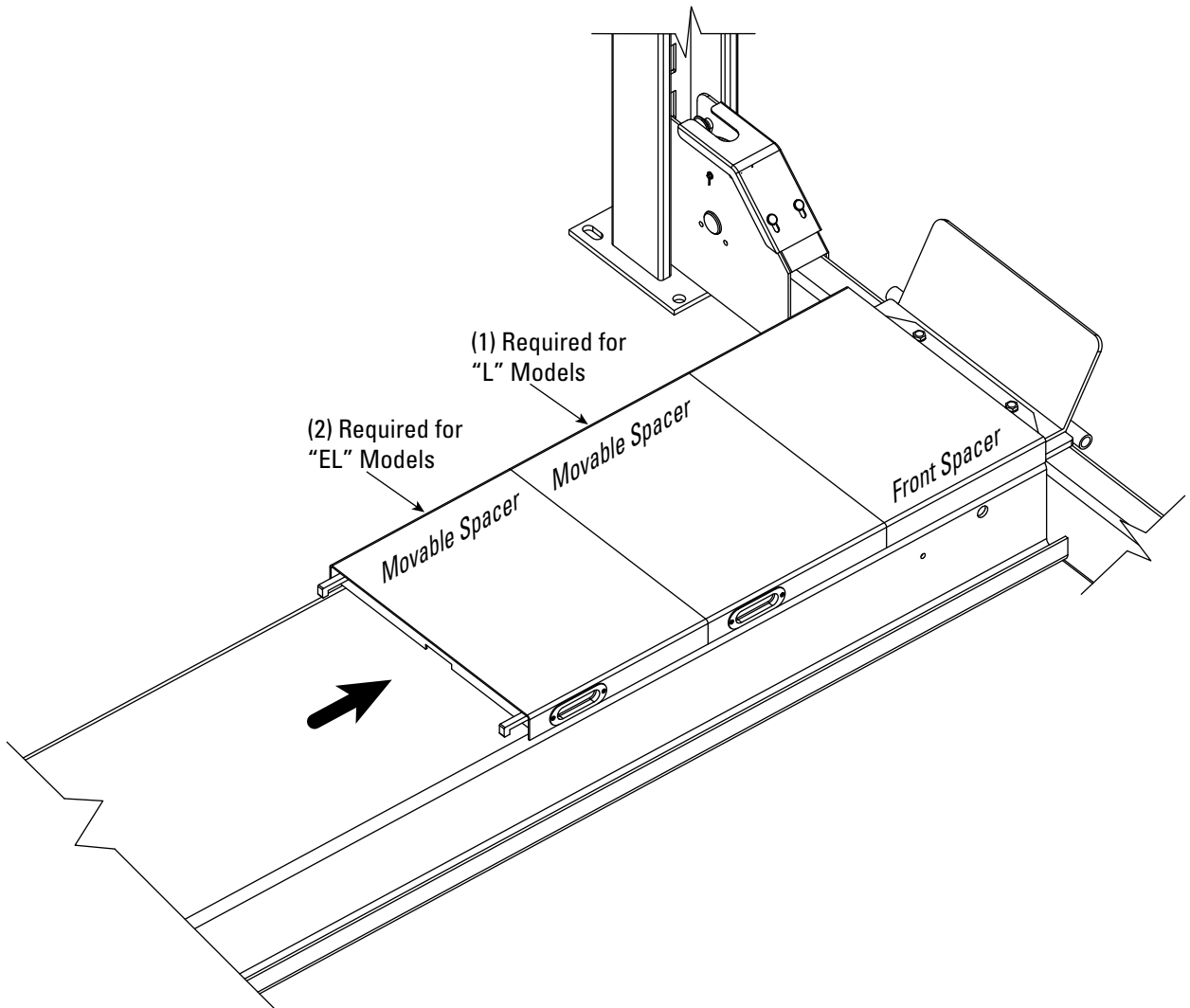
4. Place Movable Spacer on runway and insert tabs of Movable Spacer into slots of Front Spacer.

5. Place second Movable Spacer on runway.

6. Insert tabs of the second Movable Spacer into the slots of the first Movable Spacer.

Note: Movable Spacers for L and EL models.

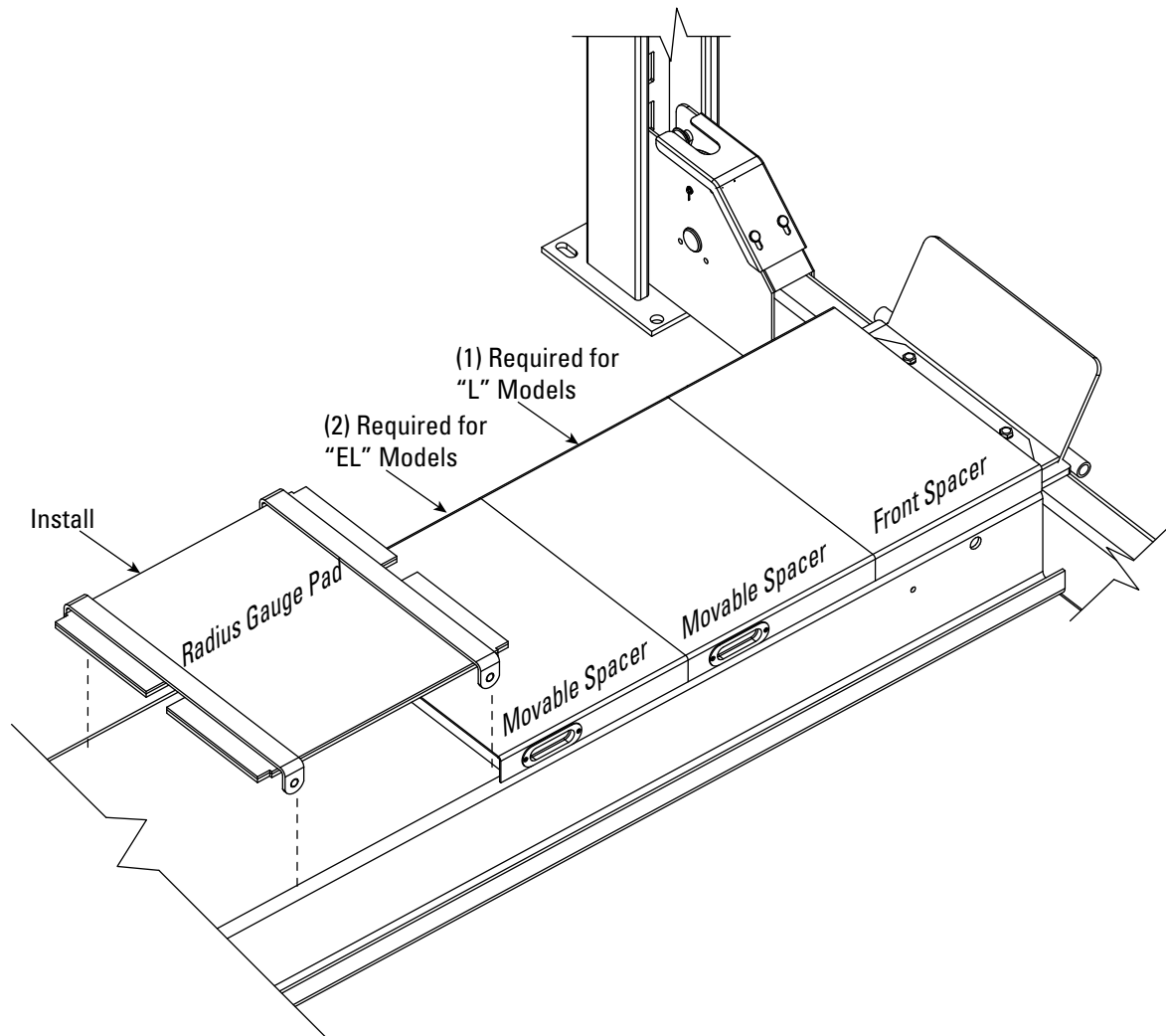
Note: Second Movable Spacer for EL model only.



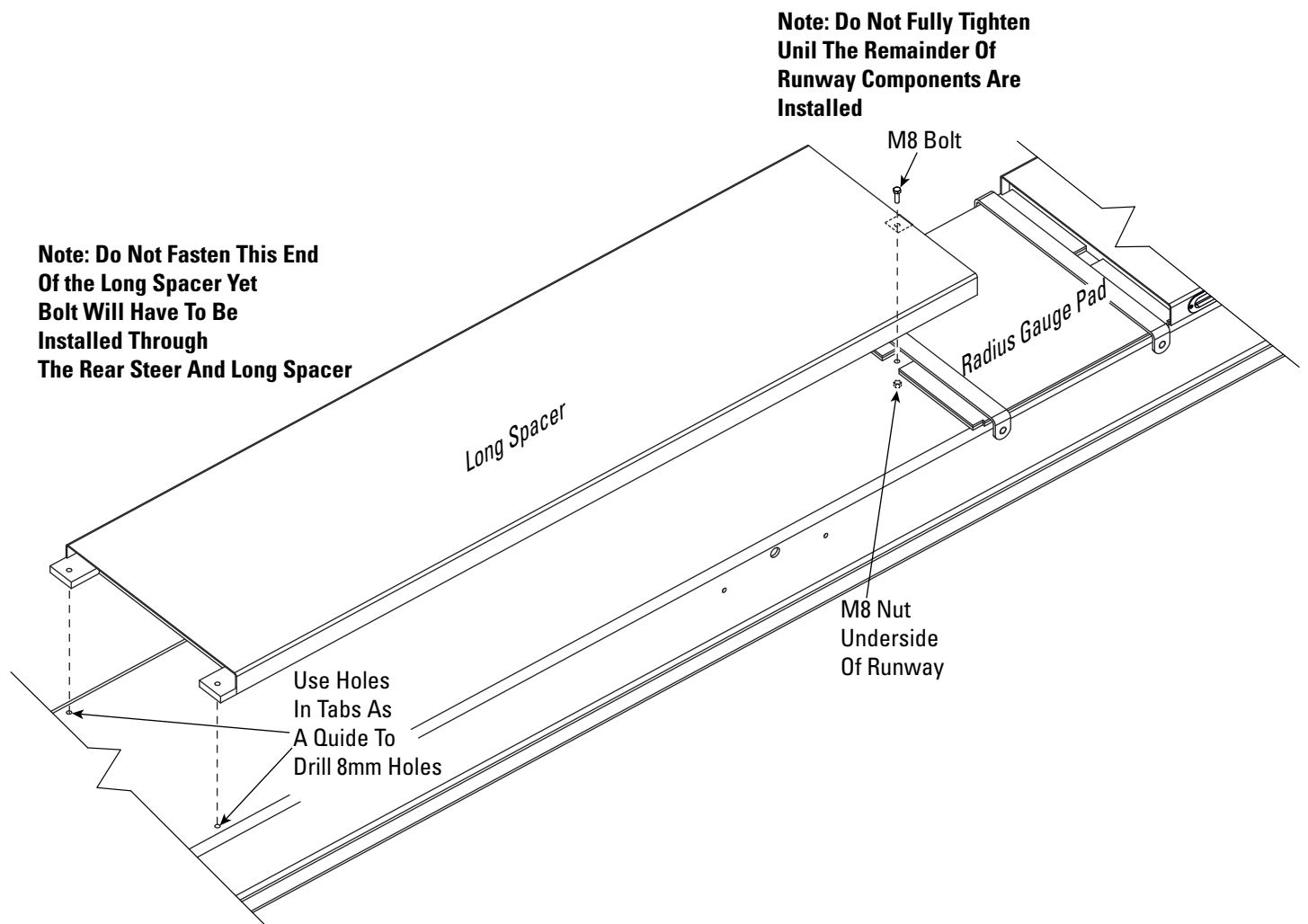
7. Place Radius Gauge Pad so that the front edge of the Radius Gauge Pad rests against the rear rib of the Movable Spacer.

8. Insert tab of the Long Spacer into the slots of the Radius Gauge Pad.

Note: Leave a small (1/8") gap for easy movement of Movable Spacers.



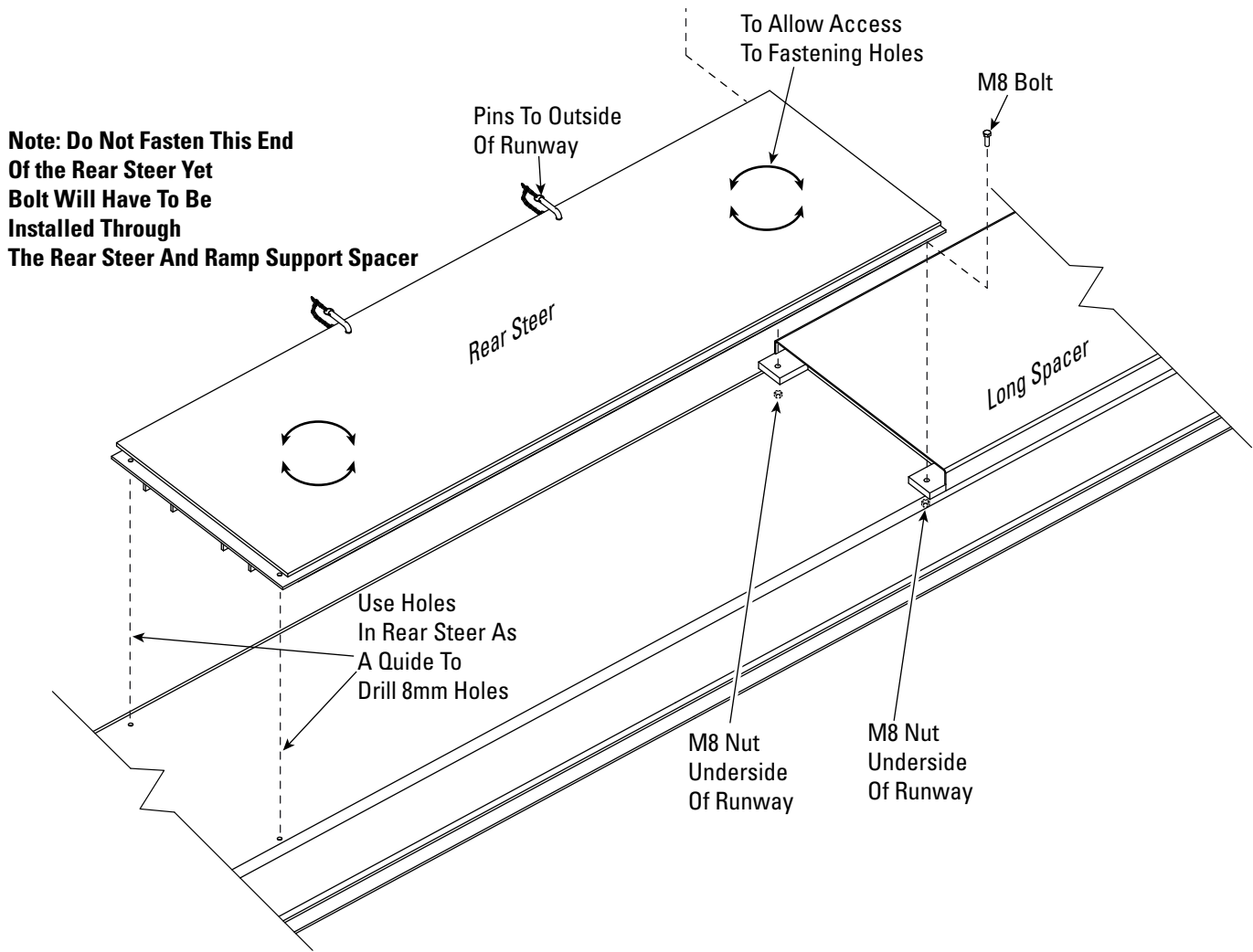
9. Center and square Long Spacer on runway.
10. Drill 8mm holes through runway using the tabs of the Long Spacer as a guide. Insert bolt in front tab of Long Spacer.



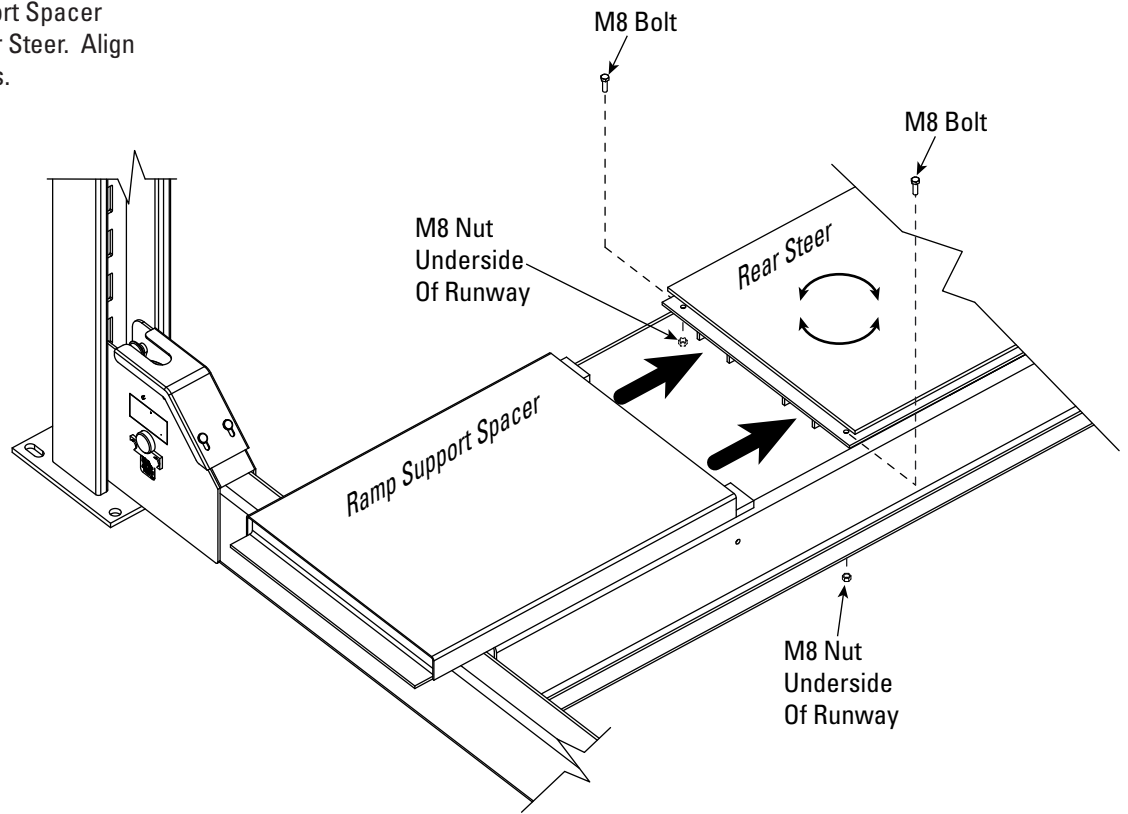
11. Align bolt holes of Rear Steer with holes of Long Spacer.

12. Angle the slip plate of the Rear Steer to access front bolt holes and insert bolts.

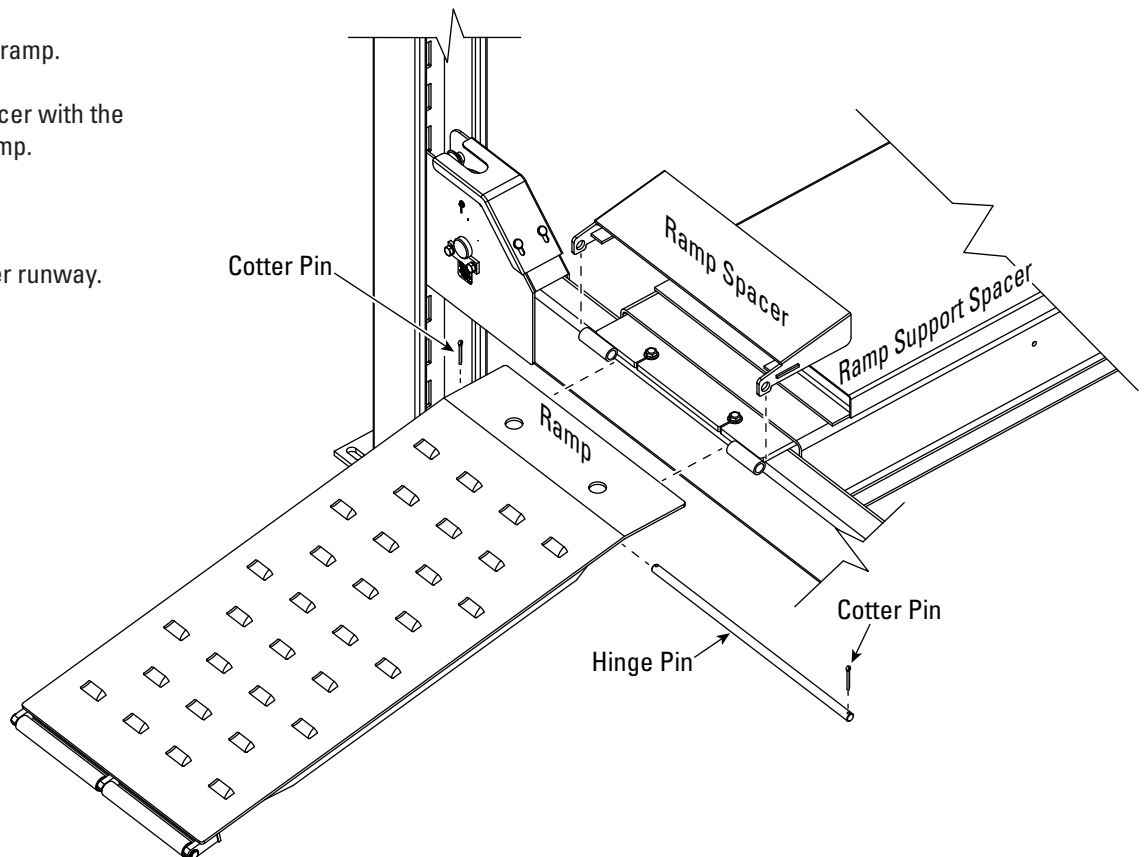
13. Angle the slip plate again to access rear holes. Drill 8mm holes in runway.



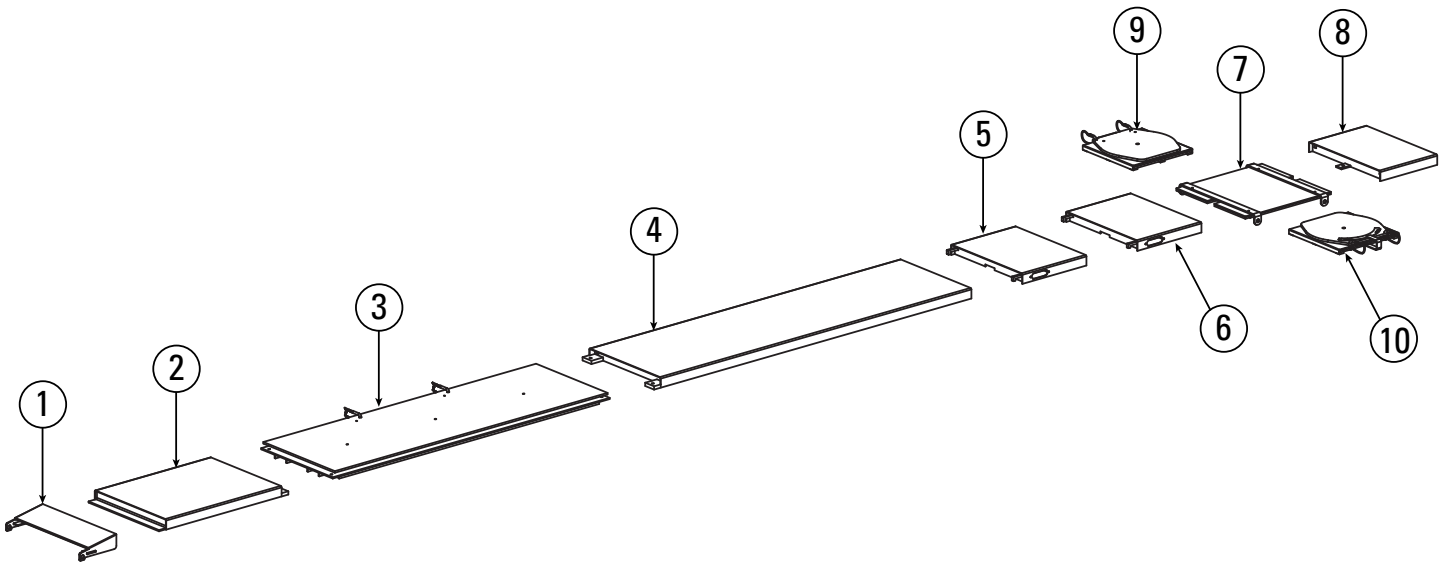
14. Slide tabs of Ramp Support Spacer under the rear of the Rear Steer. Align bolt holes and insert bolts.



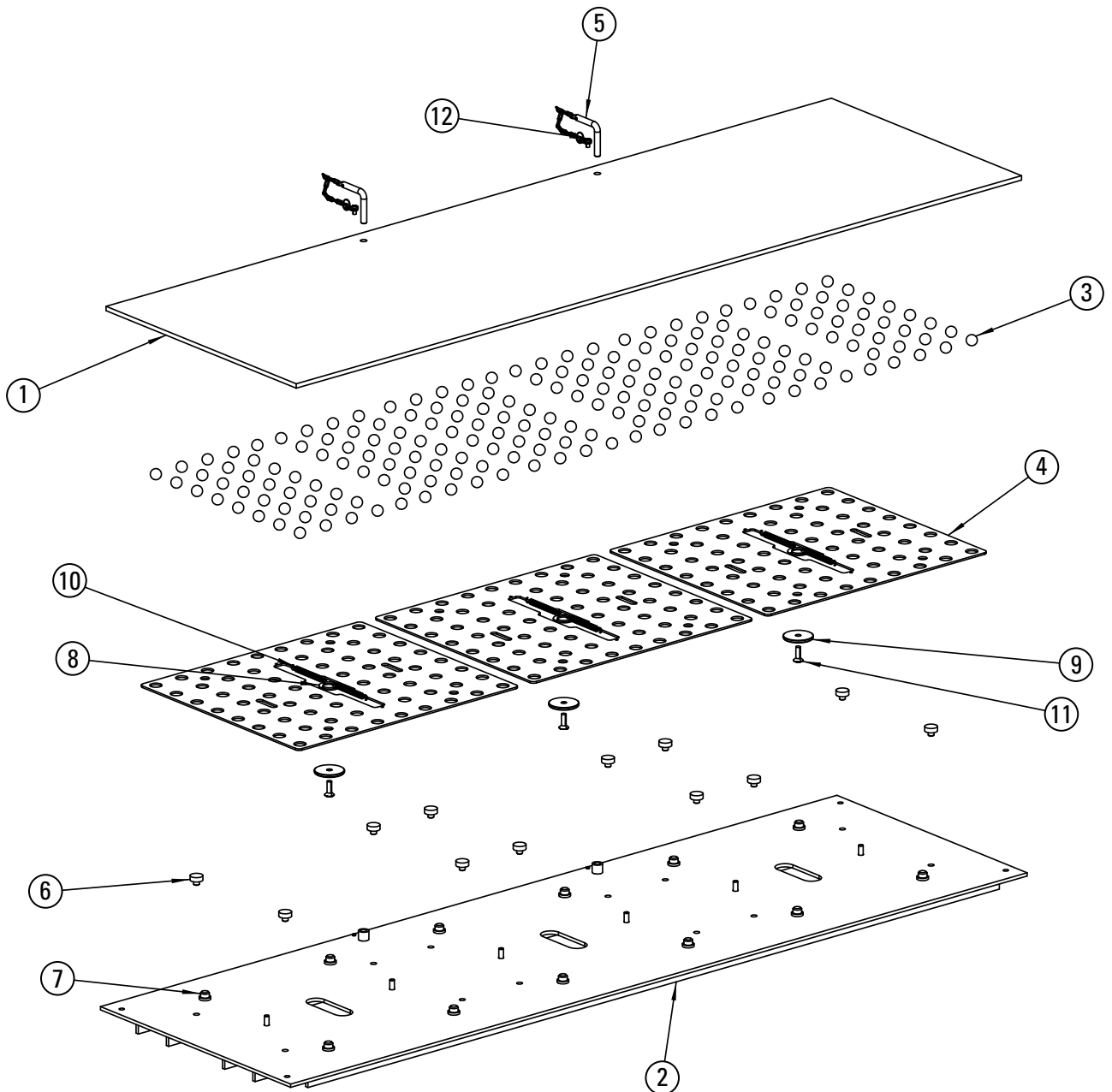
15. Remove hinge pin from ramp.
16. Align hole of Ramp Spacer with the hinge pin hole of the ramp.
17. Insert hinge pin.
18. Repeat process on other runway.



Parts Breakdown					
Item	Description	"S" Model Part # (S100129, S100132, S100135)	"L" Model Part # (S100130, S100133, S100136)	"EL" Model Part # (S100131, S100134, S100137)	Quantity
1	Ramp Extension	S110508Y	S110411Y	S110411Y	2
2	Ramp Support	N/A	S110412Y-L	S110412Y-EL	2
3	Rear Steer	S110413Y	S110413Y	S110413Y	2
4	Long Spacer	S110416Y	S110416Y	S110416Y	2
5	Movable Spacer 1	N/A	S110417Y-ZP	S110417Y-ZP	2
6	Movable Spacer 2	N/A	N/A	S110417Y-ZP	2
7	Radius Gauge Pad	S110418Y-ZP	S110418Y-ZP	S110418Y-ZP	2
8	Front Spacer	S110419Y	S110419Y	S110419Y	2
9	SS Radius Gauge	S130205	S130205	S130205	2
	CS Radius Gauge	FA5157	FA5157	FA5157	



Rear Steer S110413Y Parts Breakdown			
Item	Description	Part No.	Quantity
1	Top Plate	S110415Y	1
2	Base Plate	S110414Y	1
3	Balls	FC5190-7	198
4	Ball Retainer	S121194Y	3
5	Stop Pin	H4P-7500	2
6	Nylon Pin	FC625Y	12
7	Nylon Pin	SM60-1521-1	12
8	Retainer Ring	SM60-1522	3
9	Washer	SM65-2003	3
10	Spring	NH4D-1011	6
11	M8 x 25 Screw	B26-8 x 25	3
12	M6 x 10 Screw	B23-6 x 10	2



NOTES:

NOTES:

Vehicle Service GroupSM
2700 Lanier Drive
Madison, IN 47250, USA
1-800-640-5438
www.vsgdover.com



© **Vehicle Service GroupSM**
All Rights Reserved. Unless otherwise
indicated, **Vehicle Service GroupSM**
and all other trademarks are property
of Dover Corporation and its affiliates.