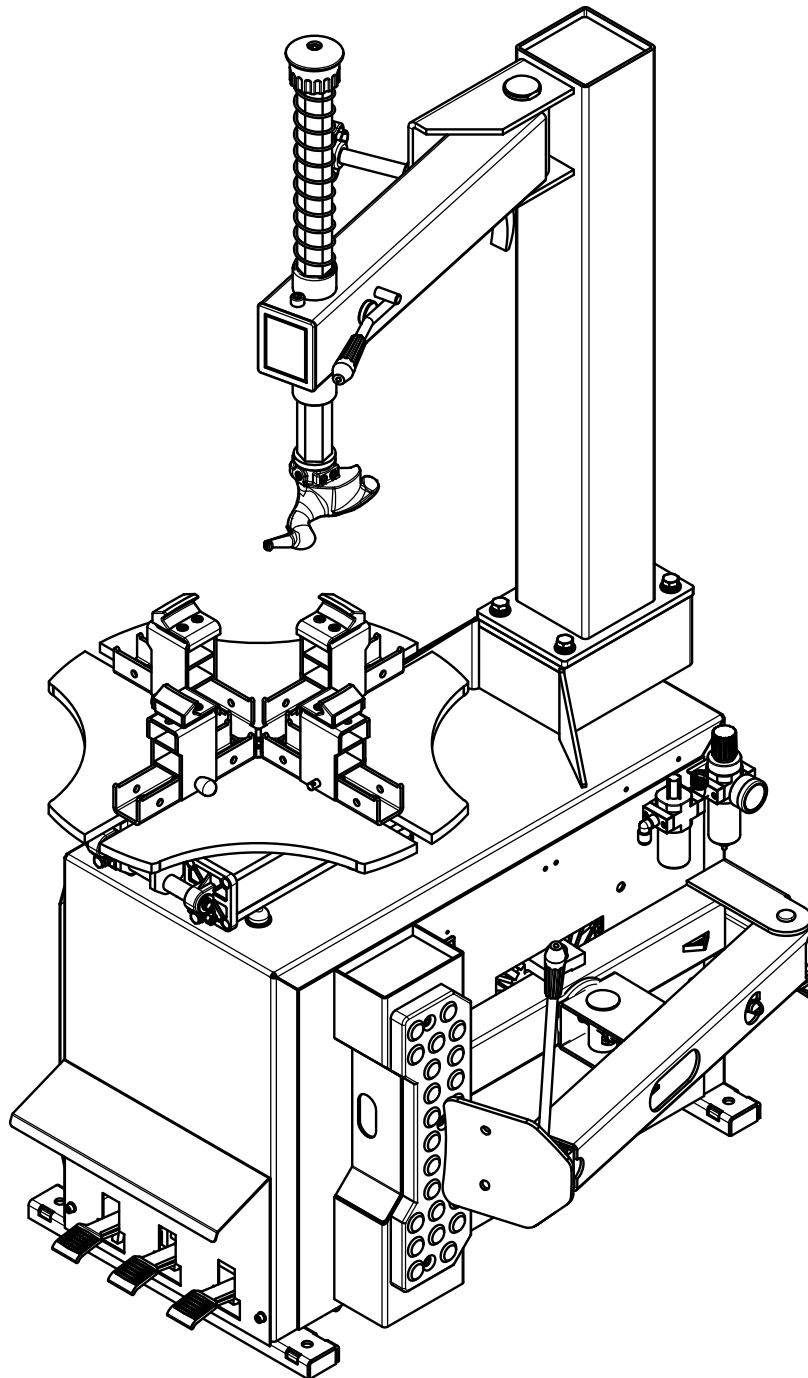
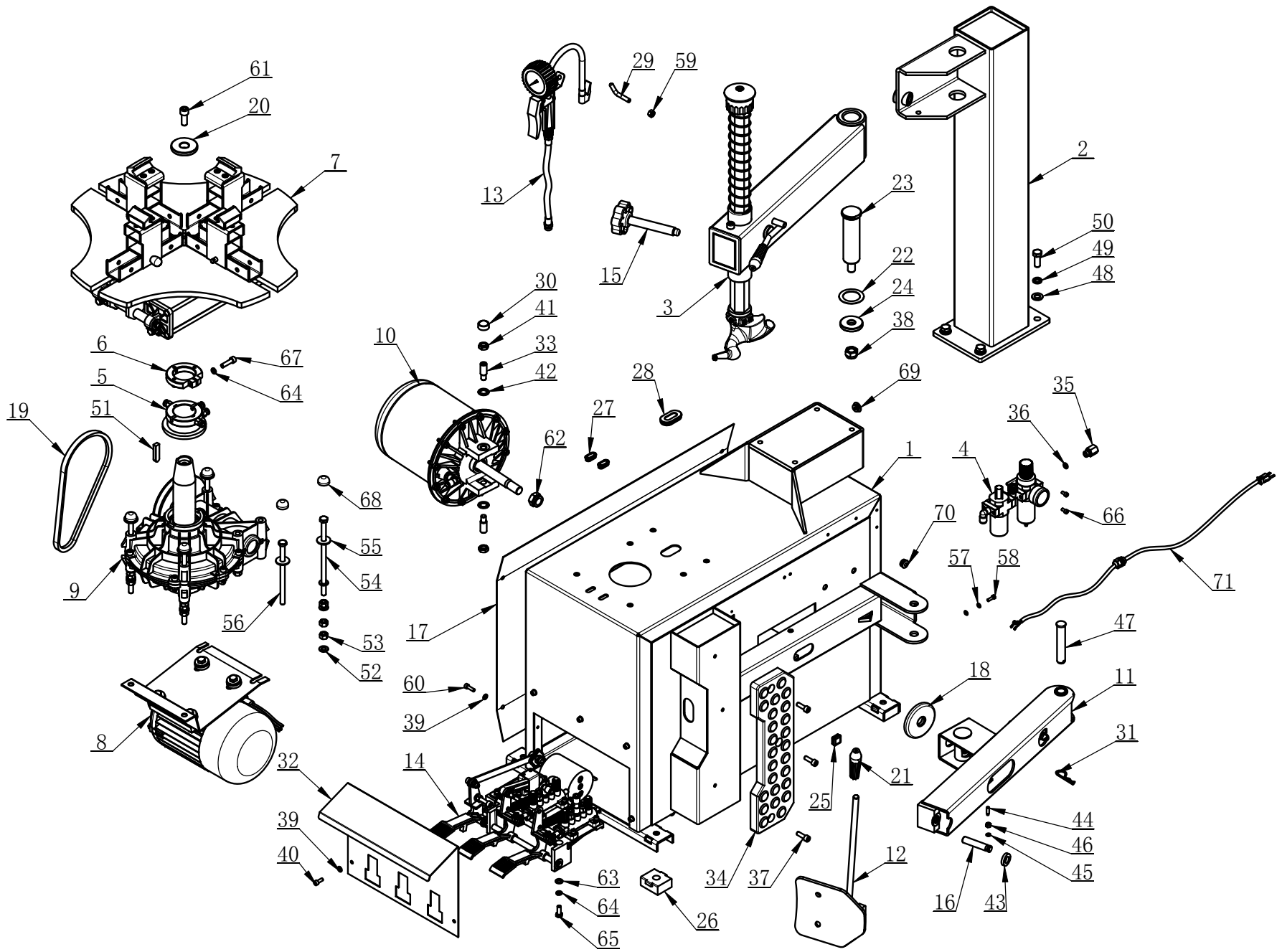


W-M807X Exploded Drawing



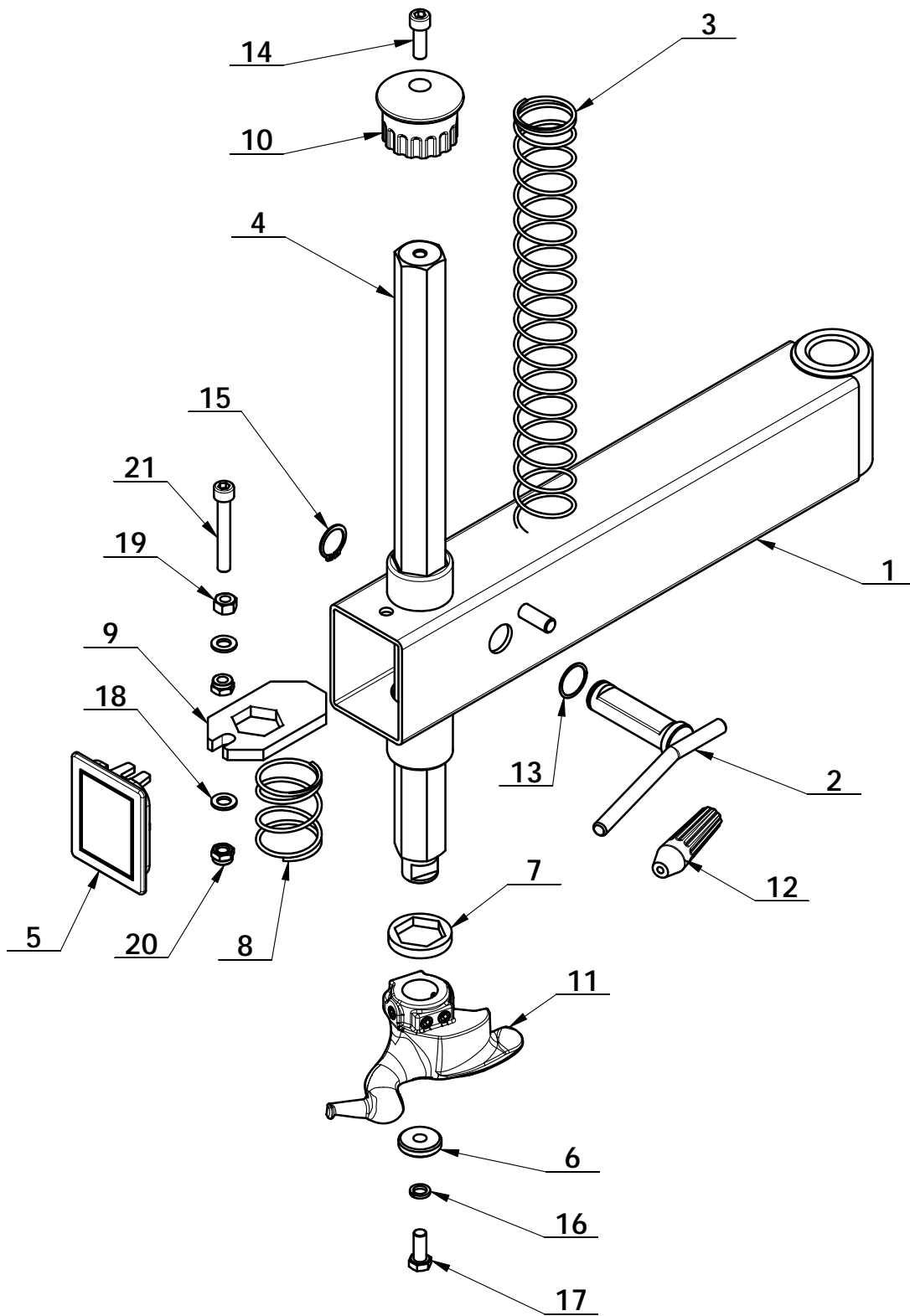


M806C-M807X

ITEM	PART. No	DESCRIPTION.	QT. Y
1	C-27-1100000	BODY	1
2	C-21-1200000	VERTICAL COLUMN	1
3	C-01-1300000	SWING ARM	1
4	CT-F-3111100	AIR REGULATOR ASSEMBLY	1
5	CT-Q-5000000	ROTATING UNION	1
6	CT-Q-6000000	CLAMP RING	1
7	CT-M-0600000	PNEUMATIC CHUCK	1
8	CT-DJ-0211212	MOTOR (110V, 60Hz, 1P, 1.1Kw)	1
9	CT-J-1100000	GEARBOX ASSEMBLY	1
10	CT-LS-1400000	BEAD BREAKER CYLINDER ASSEMBLY	1
11	CT-B-5000000	BEAD BREAKING ARM ASSEMBLY	1
12	CT-C-4100000	BEAD BREAKER BLADE	1
13	CT-P-6000000	INFLATING GUN ASSY	1
14	CT-D-1300000	PEDAL ASSEMBLY	1
15	C-54-1400000	HANDLE WHEEL	1
16	C-7C-1000007	ROTATION SPINDLE	1
17	C-01-1000001	SIDE PANEL	1
18	C-54-1000016	RUBBER WASHER	1
19	CT-DJ-0000008	BELT (A26)	1
20	C-54-1000012	PRESS COVER	1
21	TC-40-1200022	RUBBER COVER	1
22	C-54-1000032	ADJUSTING WASHER	1
23	C-01-1000002	ROCKER VERTICAL SHAFT	1
24	C-54-1000009	SHAFT WASHER	1
25	C-54-1000015	STOP-UP	1
26	C-54-1000005	RUBBER FOOT	4
27	C-54-1000023	PLUG A	2
28	C-54-1000028	PLUG B	1
29	C-71-1000024	INFLATING GUN HOOK	1
30	C-54-1000013	SEALED COVER	1
31	C-01-100000B	CIRCLIP	1
32	C-5B-1000002	PROTECTIVE COVER	1
33	C-54-1000010	SCREWS M14X42	2
34	C-27-1000001	RUBBER WASHER	1
35	C-54-8000028	CONNECTOR	1
36	GB3452. 1-8×2.65	HYDRAULIC-PNEUMATIC RUBBER O-RING G TYPE	1
37	GB70. 1-M8×25	INNER HEXA CYLINDRICAL SCREW	3
38	GB889. 1-M16	1-TYPE PREVAILING TORQUE TYPE HEXAGON LOCK NUT	1
39	GB95-6	FLAT WASHER	9
40	GB70. 1-M6×16	INNER HEXA CYLINDRICAL SCREW	5

M806C-M807X

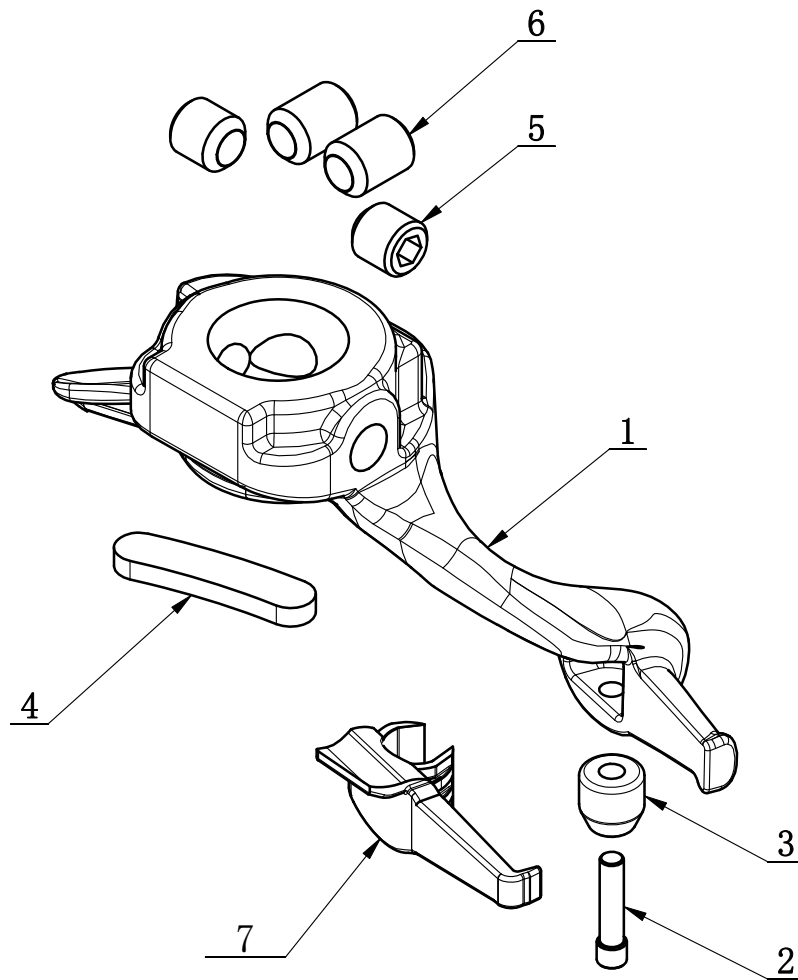
ITEM	PART. No	DESCRIPTION.	QT. Y
41	GB6172. 1-M14	HEXANGULAR THIN NUT	2
42	GB861. 1-14	INNER TOOTH LOCK WAHSER	2
43	GB955-14	WAVE-FORM SPRING WASHER	1
44	GB79-M6×20	INNER HEXA CYLINDRICAL TERMINUS SET SCREW	1
45	GB93-6	STANDARD SPRING WASHER	1
46	GB41-M6	HEXANGULAR NUT	1
47	GB882-18×100	PIN SHAFT	1
48	GB95-12	FLAT WASHER	4
49	GB93-12	STANDARD SPRING WASHER	4
50	GB5783-M12×30	HEXANGULAR BOLT	4
51	GB1096-C12×8×45	COMMON FLAT KEY	1
52	GB95-10	FLAT WASHER	14
53	GB41-M10	HEXANGULAR NUT	14
54	GB5782-M10×200-8. 8	BOLT M10×200	4
55	GB96. 1-10	LARGE WASHER A GRADE	6
56	GB5782-M10×160-8. 8	BOLT M10×160	2
57	GB95-5	FLAT WASHER	2
58	GB5783-M5×16	HEXANGULAR BOLT	1
59	GB41-M8	HEXANGULAR NUT	1
60	GB70. 1-M6×20	INNER HEXA CYLINDRICAL SCREW	4
61	GB70. 1-M12×30	INNER HEXA CYLINDRICAL SCREW	1
62	GB889. 2-M18×1. 5	NUT M18×1. 5	1
63	GB95-8	FLAT WASHER	2
64	GB93-8	STANDARD SPRING WASHER	3
65	GB5783-M8×20	HEXANGULAR BOLT	2
66	GB70. 1-M5×10	INNER HEXA CYLINDRICAL SCREW	2
67	GB70. 1-M8×30	INNER HEXA CYLINDRICAL SCREW	1
68	C-01-1000006	COVER CAP	6
69	C-61-1000003	HELPER RUBBE PLUG	1
70	C-71-1000027	HELPER RUBBE PLUG	1
71	CT-E-US00325	CABLE(1P)	1



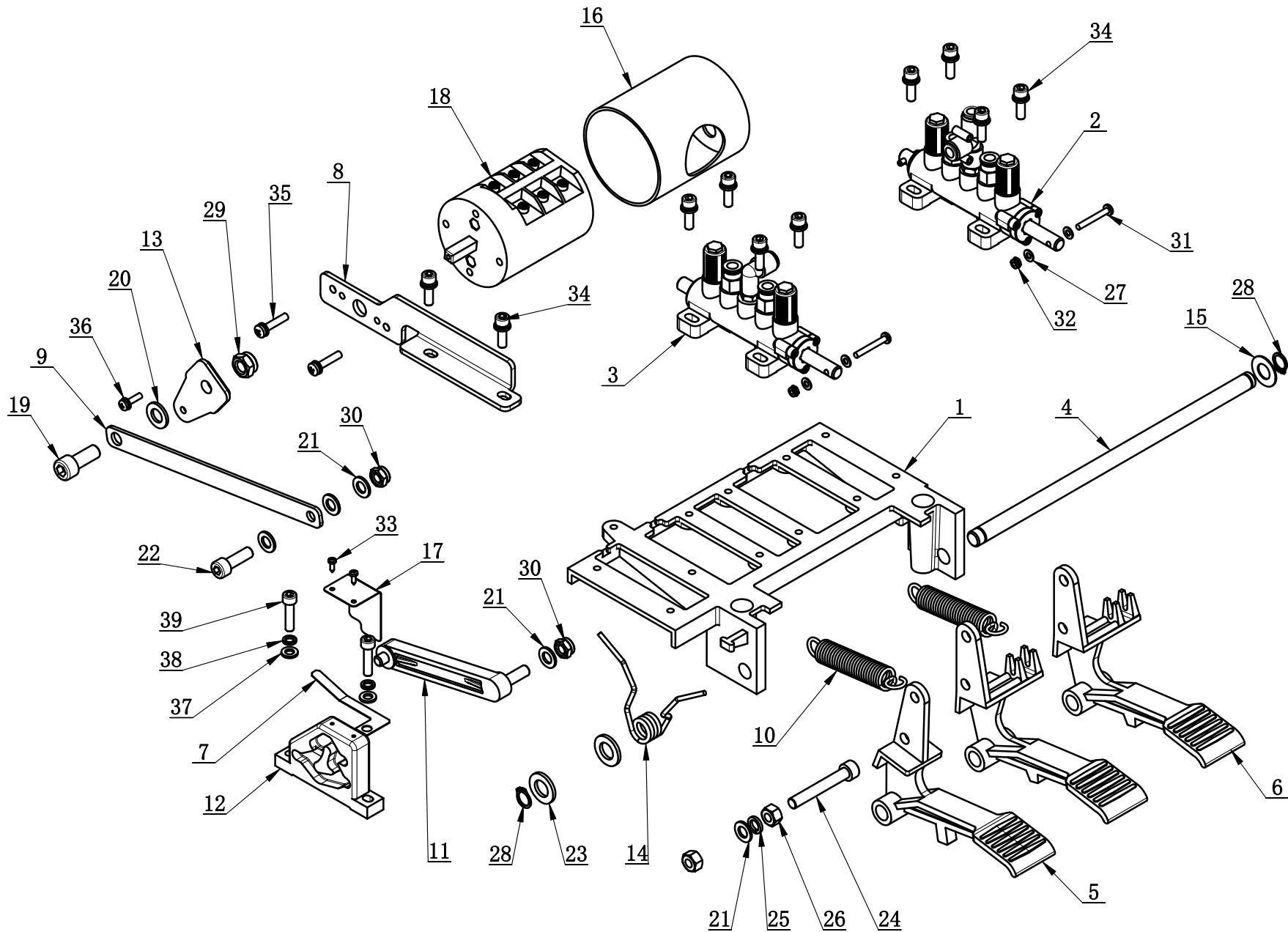
C-01-1300000

ITEM	PART. No	DESCRIPTION.	QT. Y
1	C-01-1310000	SWING ARM	1
2	C-54-1320000	LOCK HANDLE	1
3	C-01-1300001	VERTICAL SHAFT SPRING	1
4	C-01-1300002	HEXAGON SHAFT	1
5	C-01-1300003	DECORATING COVER	1
6	C-54-1300008	PRESS WASHER	1
7	C-54-1300007	SHOCK ABSORBER WASHER	1
8	C-01-1300004	COIL SPRING	1
9	C-01-1300005	HEXAGON LOCK PLATE	1
10	C-71-1300006	VERTICAL SHAFT COVER	1
11	C-54-0001000	DEMOUNTING HEAD ASSEMBLY	1
12	TC-40-1200022	RUBBER COVER	1
13	C-54-1300013	ADJUSTING WASHER	1
14	GB70. 1-M10×30	INNER HEXA CYLINDRICAL SCREW	1
15	GB894. 1-25	SHAFT ELATIC BIG RETAINING RING A-TYPE	1
16	GB93-10	STANDARD SPRING WASHER	1
17	GB5783-M10×25-12. 9	HEXANGULAR BOLT	1
18	GB95-10	FLAT WASHER	2
19	GB41-M10	HEXANGULAR NUT	1
20	GB889. 1-M10	1-TYPE PREVAILING TORQUE TYPE HEXAGON LOCK NUT	2
21	GB70. 1-M10×70	INNER HEXA CYLINDRICAL SCREW	1

C-54-0001000

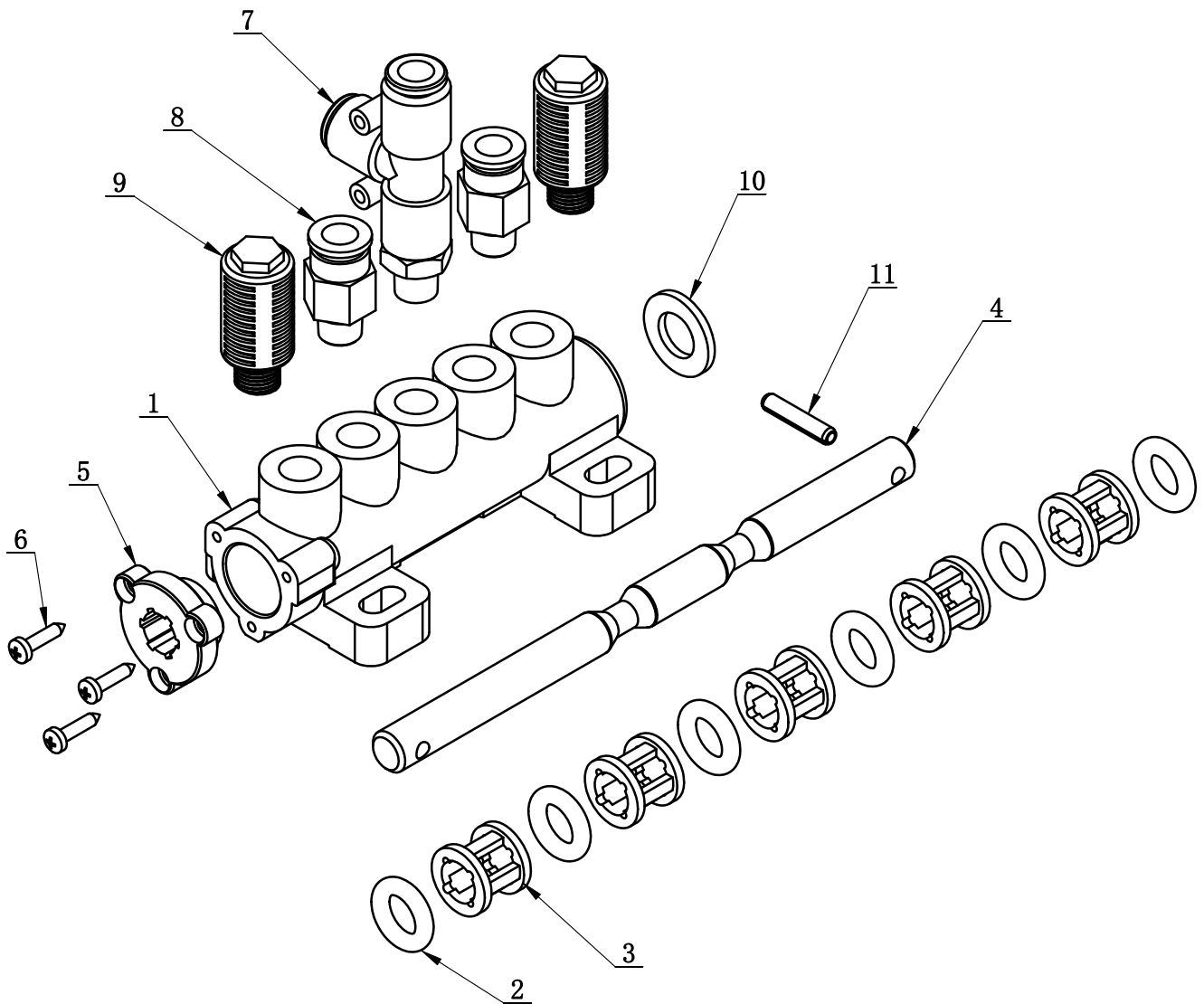


ITEM	PART. No	DESCRIPTION.	QT. Y
1	C-54-1300004	DEMOUNTING HEAD	1
2	C-54-1300006	ROLLER BOLT	1
3	C-54-1300009	ROLLER	1
4	C-54-8000007	TOOL HEAF TAIL WASHER	1
5	GB80-M12×12	INNER HEXA RECESSED TERMINUS SET SCREW	2
6	GB80-M12×16	INNER HEXA RECESSED TERMINUS SET SCREW	2
7	C-54-1300014	SHEATH	1



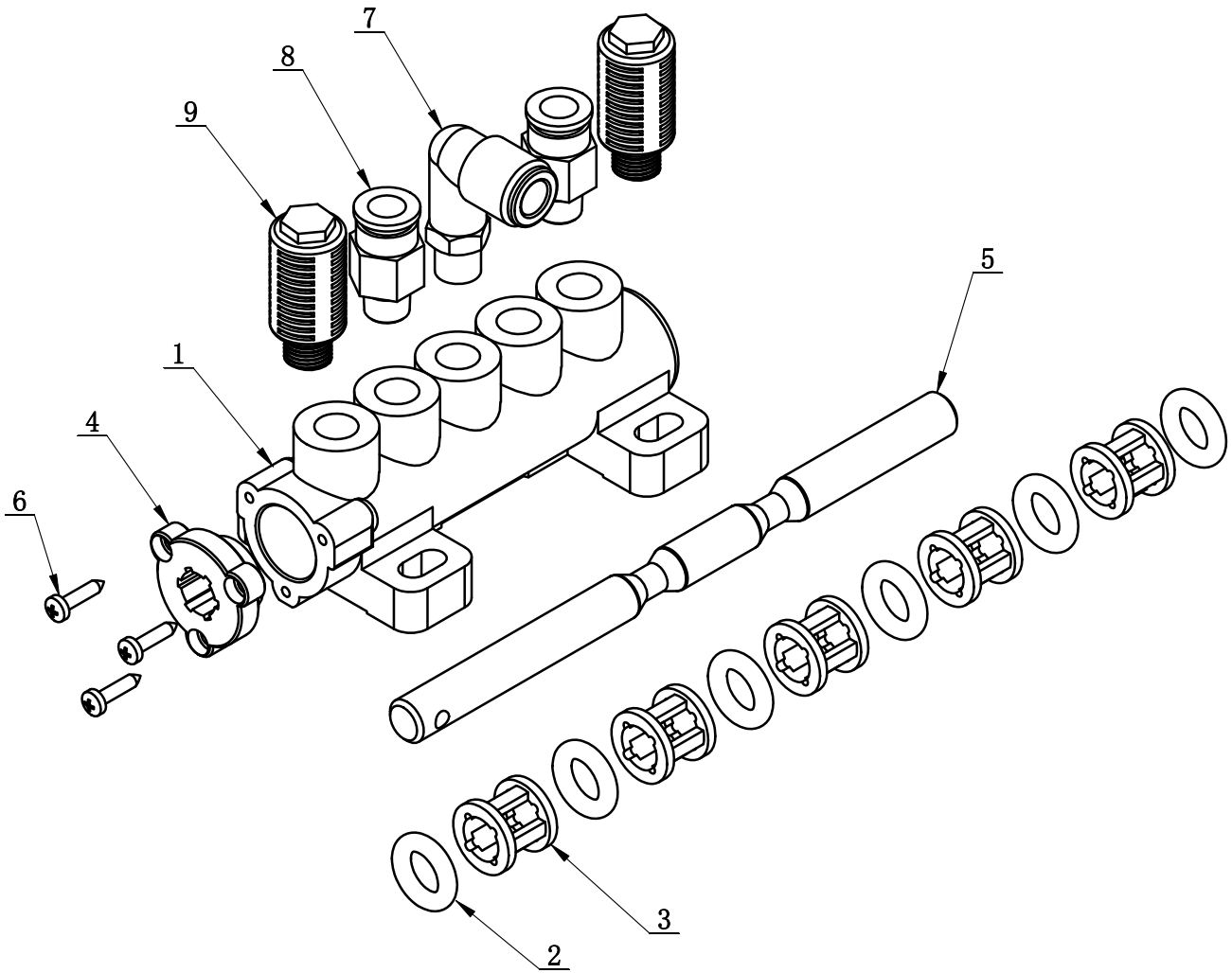
ITEM	PART. No	DESCRIPTION.	QT. Y
1	CT-D-1100003	PEDAL SUPPORT	1
2	CT-D-0001000	VALVE	1
3	CT-D-0003000	VALVE	1
4	CT-D-1100004	BOTTOM SHAFT	1
5	CT-D-1100001	PEDAL	1
6	CT-D-1100002	PEDAL	2
7	CT-D-1100013	SPRING	1
8	CT-D-1100005B	SWITCH BASE PLATE	1
9	CT-D-1100006A	SWITCH CONNECTING PLATE	1
10	CT-D-1100007	SPRING	2
11	CT-D-1100008	CAM CONNECTING ROD	1
12	CT-D-1100009B	CAM	1
13	CT-D-1100010	REVERSE LEVER	1
14	CT-D-1100012	TORSION SPRING	1
15	CT-D-1100015	WASHER	1
16	CT-D-1100014	SWITCH COVER	1
17	CT-D-1100011A	CAM BAFFLE PLATE	1
18	CT-D-1100018	SWITCH	1
19	GB70. 1-M10×25	INNER HEXA CYLINDRICAL SCREW	1
20	GB95-10	FLAT WASHER	1
21	GB95-8	FLAT WASHER	5
22	GB70. 1-M8×25	INNER HEXA CYLINDRICAL SCREW	1
23	GB95-12	FLAT WASHER	2
24	GB70. 1-M8×55	INNER HEXA CYLINDRICAL SCREW	1
25	GB93-8	STANDARD SPRING WASHER	1
26	GB41-M8	HEXANGULAR NUT	2
27	GB95-4	FLAT WASHER	4
28	GB894. 1-12	SHAFT ELATIC BIG RETAINING RING A-TYPE	2
29	GB889. 1-M10	1-TYPE PREVAILING TORQUE TYPE HEXAGON LOCK NUT	1
30	GB889. 1-M8	1-TYPE PREVAILING TORQUE TYPE HEXAGON LOCK NUT	2
31	GB818-M4×30-H	CROSS PANHEAD SCREW	2
32	GB889. 1-M4	1-TYPE PREVAILING TORQUE TYPE HEXAGON LOCK NUT	2
33	GB845-ST2. 9×9. 5 H C	CROSS PANHEAD TAPPING SCREW	2
34	GB9074-M6×20	COMBINATION SCREW	10
35	GB9074. 4-M5×25	COMBINATION SCREW	2
36	GB9074. 4-M4×16	COMBINATION SCREW	1
37	GB95-6	FLAT WASHER	2
38	GB93-6	STANDARD SPRING WASHER	2
39	GB70. 1-M6×25	INNER HEXA CYLINDRICAL SCREW	2

CT-D-0001000



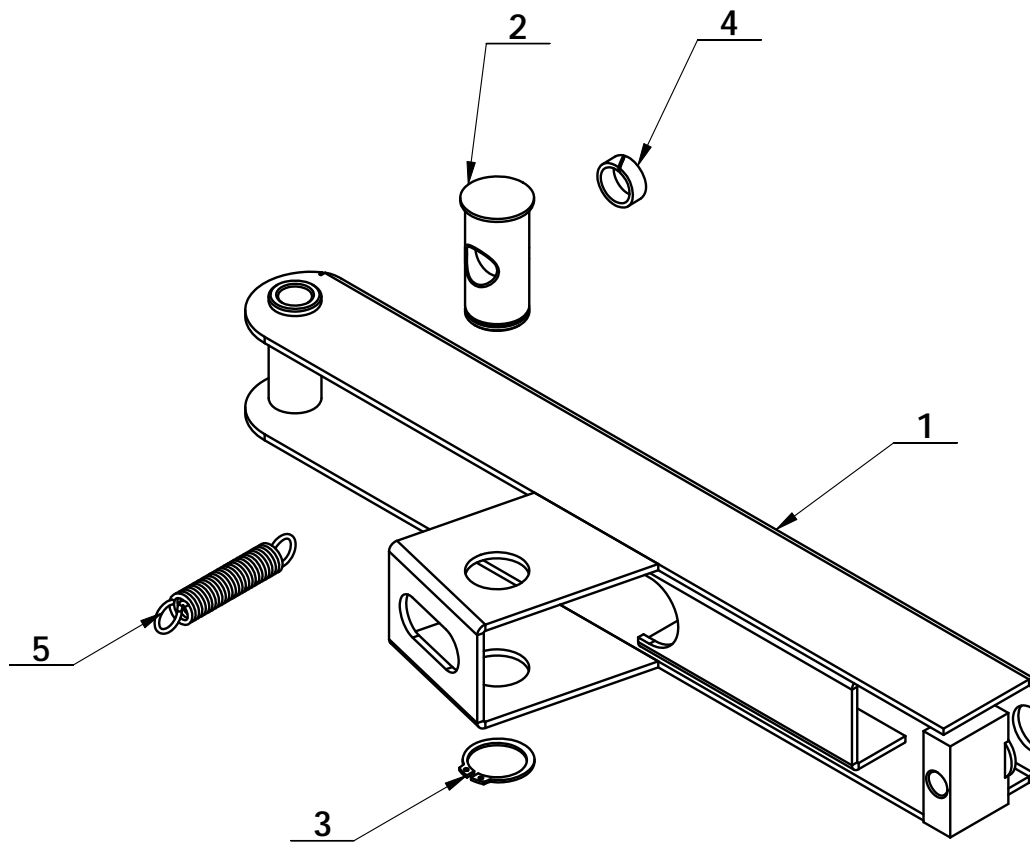
ITEM	PART. No	DESCRIPTION.	QT. Y
1	CT-D-1110001	VALVE BODY	1
2	CT-D-1110003	O-RING	6
3	CT-D-1110004	SPACER	5
4	CT-D-1110002	VALVE STEM	1
5	CT-D-1110005	VALVE CAP	1
6	GB845-ST2.9×13 H C	CROSS PANHEAD TAPPING SCREW	3
7	FPD 8-01	MALE RUN TEE	1
8	FPC 8-01	MALE STRAIGHT	2
9	FSK 01	PLASTIC PARTICLE SILENCER	2
10	GB95-10	FLAT WASHER	1
11	GB879. 1-4×20	ELASTIC CYLINDRICAL PIN, HEAVY	1

CT-D-0003000



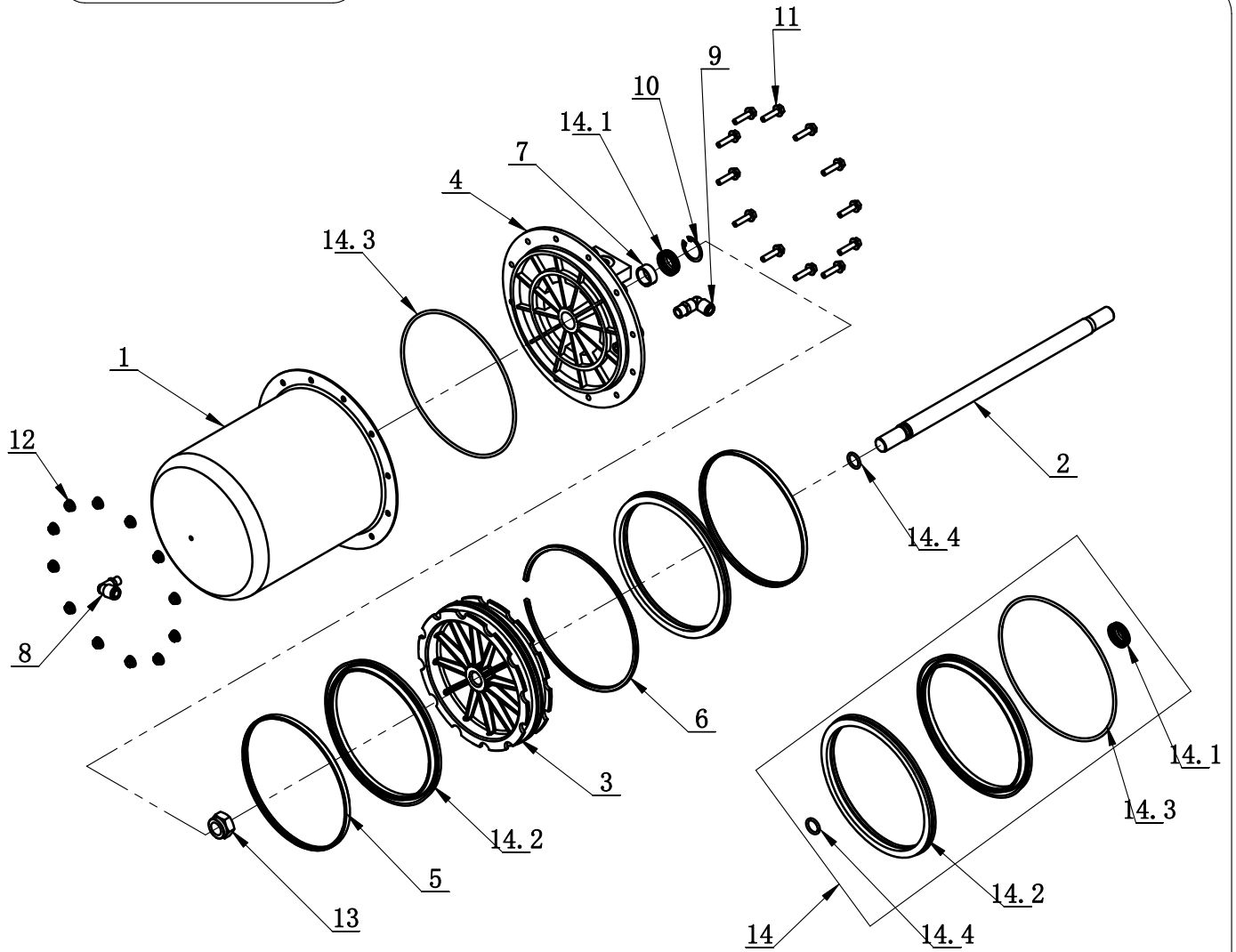
ITEM	PART. No	DESCRIPTION.	QT. Y
1	CT-D-1110001	VALVE BODY	1
2	CT-D-1110003	O-RING	6
3	CT-D-1110004	SPACER	5
4	CT-D-1110005	VALVE CAP	1
5	CT-D-1120001	VALVE STEM	1
6	GB845-ST2.9×13 H C	CROSS PANHEAD TAPPING SCREW	3
7	FPL 8-01	INSERT ELBOW Φ8, R1/8	1
8	FPC 8-01	MALE STRAIGHT	2
9	FSK 01	PLASTIC PARTICLE SILENCER	2

CT-B-5000000



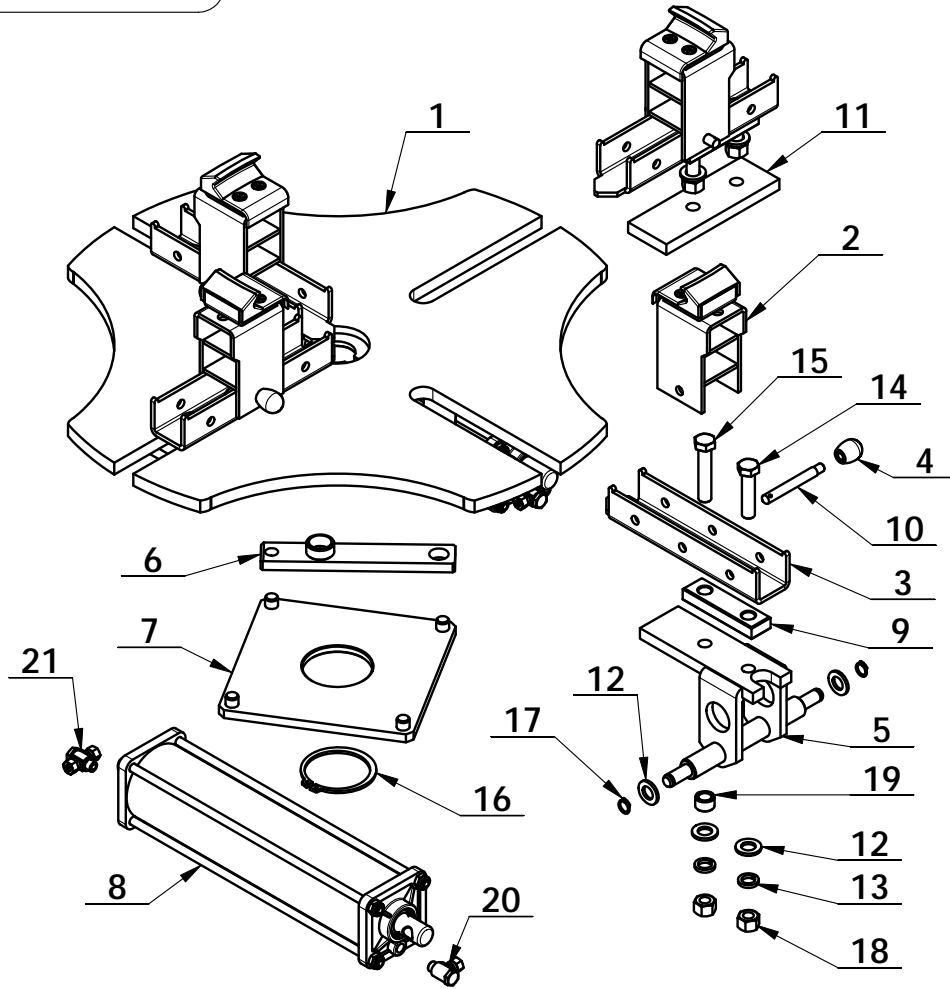
ITEM	PART. No	DESCRIPTION.	QT. Y
1	CT-B-5100000	BEAD BREAKING ARM ASSEMBLY	1
2	CT-B-4000001	BEAD BREAKING ARM SLIDE BUSHING	1
3	GB894. 1-34	SHAFT ELATIC BIG RETAINING RING A-TYPE	1
4	CT-B-2000001	SLIDE SPACER	1
5	CT-B-4000003	SPRING	1

CT-LS-1400000



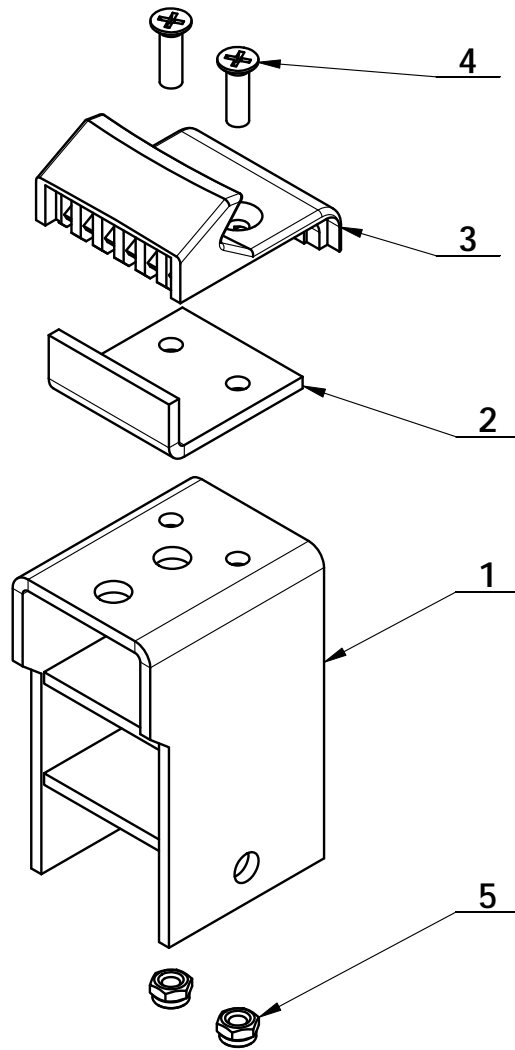
ITEM	PART. No	DESCRIPTION.	QT. Y
1	CT-LS-1100002	CYLINDER BODY	1
2	CT-LS-1100001	CYLINDER PISTON ROD	1
3	CT-LS-1100003	PISTON	1
4	CT-LS-1100004	CYLINDER COVER	1
5	CT-LS-1100006	CLAMP RING	2
6	CT-LS-1100007	PISTON SUPPORT RING	1
7	CT-LS-1100008	GUIDER SPACER	1
8	FPL 8-01	INSERT ELBOW $\Phi 8$, R1/8	1
9	FPL 8-02	INSERT ELBOW $\Phi 8$, R1/4	1
10	GB893. 2-30	ELASTIC RETAINING RING B-TYPE	1
11	GB5789-AM6×25	HEXA FLANGE BOLT	12
12	GB6177. 1-M6	HEXA FLANGE NUT	12
13	GB889. 2-M18×1. 5	NUT M18×1. 5	1
14	CT-LS-1110000	CYCLINDER SEALING PARTS ASSEMBLY	1
14. 1	CT-Y-0160007	SEAL-ROD, CYLNDR	1
14. 2	CT-LS-1100009	Y-RING	2
14. 3	GB3452. 1-185×3. 55-G	O-RING G TYPE	1
14. 4	GB3452. 1-15. 5×2. 65-G	HYDRAULIC-PNEUMATIC RUBBER O-RING G TYPE	1

CT-M-0600000



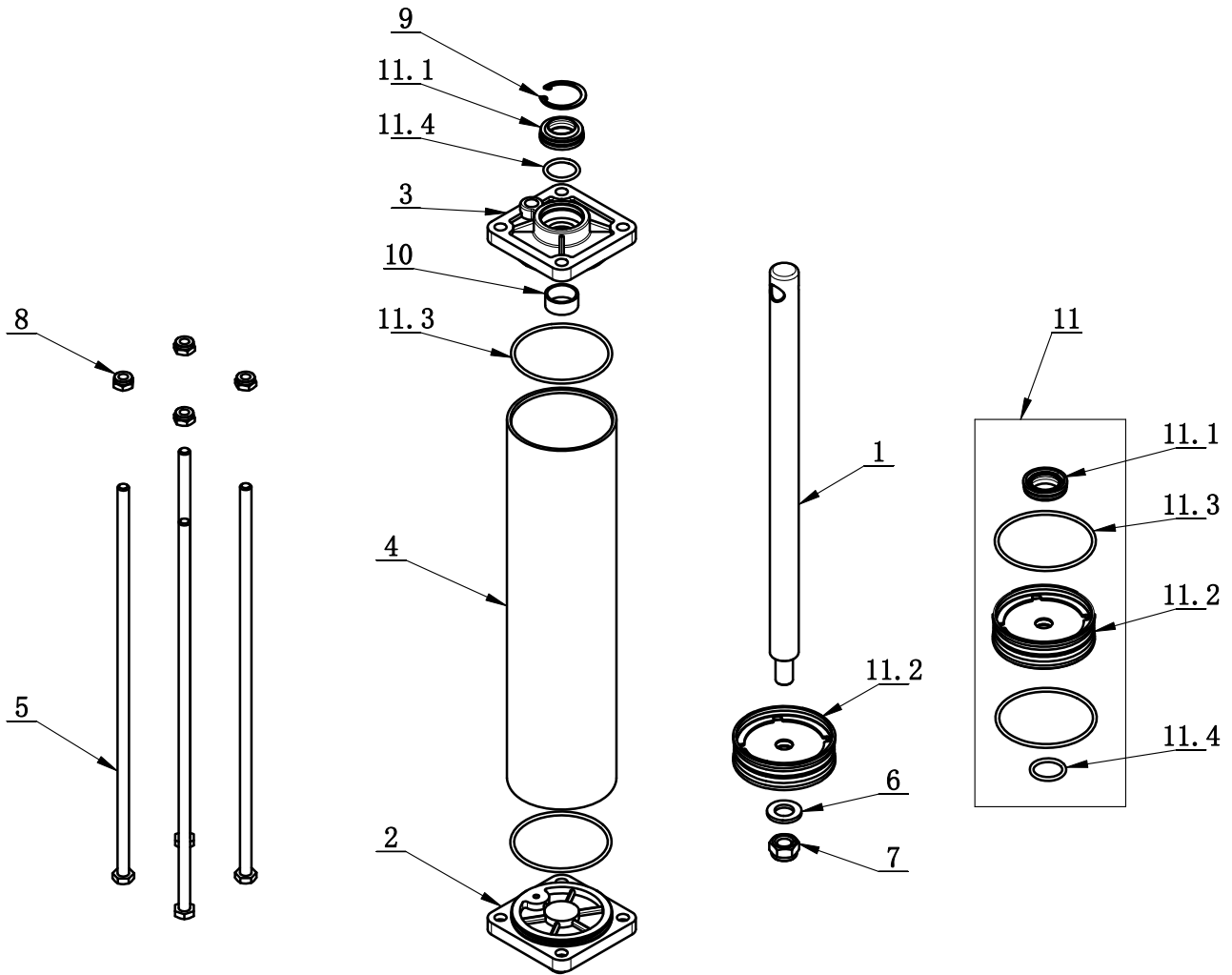
ITEM	PART. No	DESCRIPTION.	QT. Y
1	CT-M-0610000	TURNTABLE	1
2	CT-M-0140000	CLAMP ASSEMBLY	4
3	CT-M-0130000	SLIDER	4
4	JB / T7271. 4-94-M8-B	HAND SHANK B-TYPE	4
5	CT-Y-0130000	CYLINDER BRACKET	2
6	CT-Y-0140000	CONNECTION PLATE	4
7	CT-Y-0150000	SQUARE TURNTABLE	1
8	CT-Y-0160000	CYLINDER ASSEMBLY	2
9	CT-M-0100002	SLIDER	4
10	CT-M-0100003	PIN SHAFT	4
11	CT-Y-0100004	PRESS PLATE	2
12	GB95-12	FLAT WASHER	12
13	GB93-12	STANDARD SPRING WASHER	8
14	GB5783-M12×30	HEXANGULAR BOLT	4
15	GB5783-M12×60	HEXANGULAR BOLT	4
16	GB894. 1-65	SHAFT ELATIC BIG RETAINING RING A-TYPE	1
17	GB894. 1-12	SHAFT ELATIC BIG RETAINING RING A-TYPE	4
18	GB41-M12	HEXANGULAR NUT	8
19	CT-Y-0100003	SPACER	4
20	CT-Y-0100006	HINGE ELBOW Φ8 G1/8	2
21	CT-Y-0100008	HINGE ELBOW Φ8 G1/8	2

CT-M-0140000

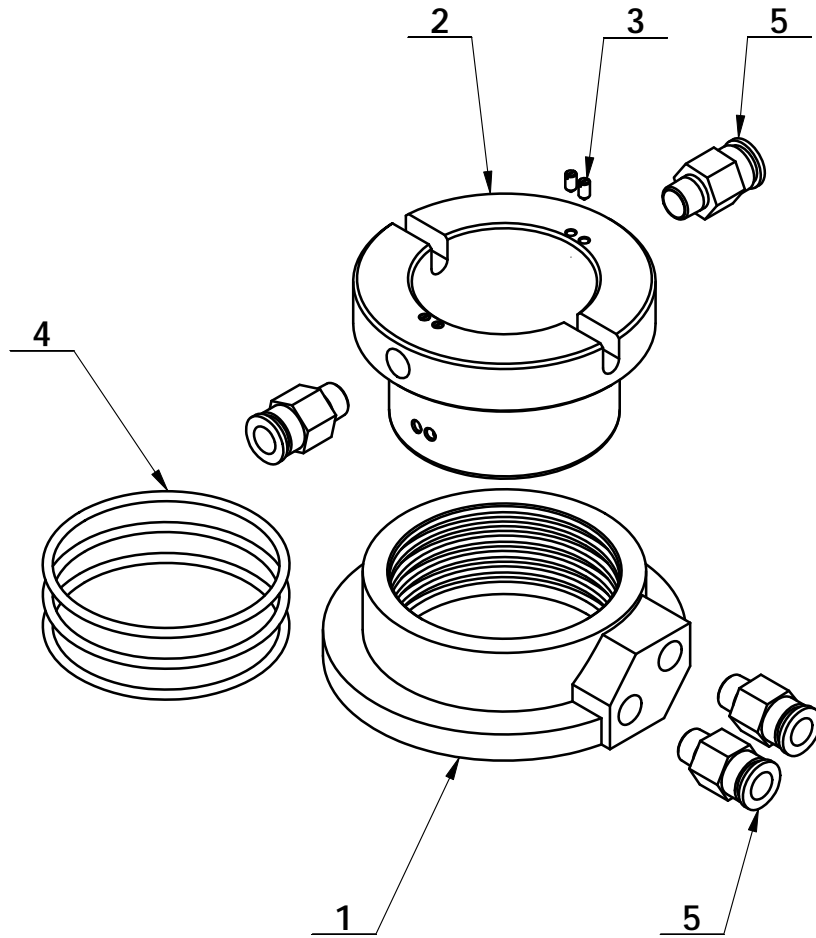


ITEM	PART. No	DESCRIPTION.	QT. Y
1	CT-M-0120000	BRACKET	1
2	CT-M-0100004	SUPPORT PLATE	1
3	CT-M-0100001	CLAW	1
4	GB819. 1-M6×20-H	CROSS COUNTERSUNK SCREW STEEL 4. 8 GRADE	2
5	GB889. 1-M6	1-TYPE PREVAILING TORQUE TYPE HEXAGON LOCK NUT	2

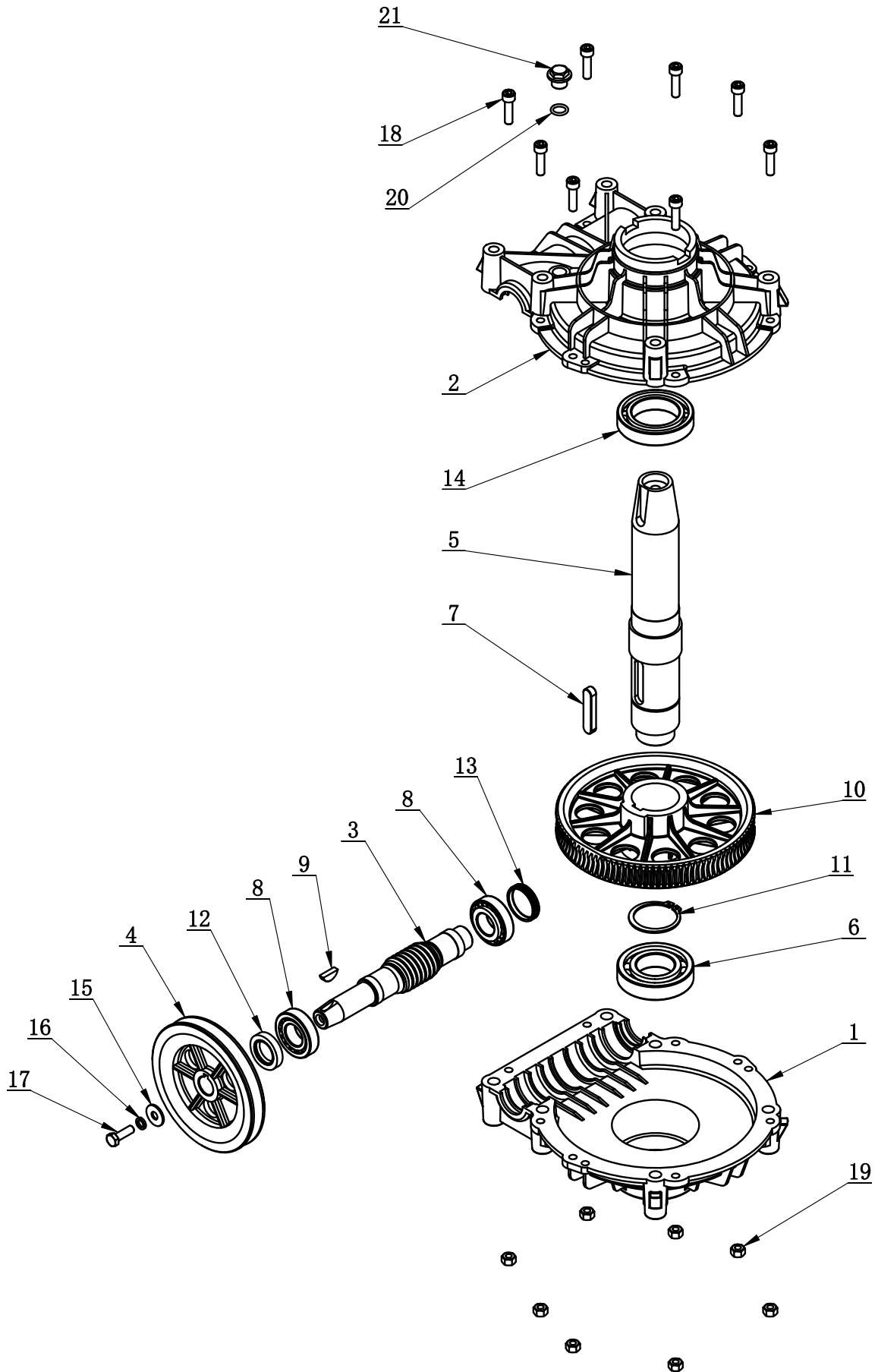
CT-Y-0160000



ITEM	PART. No	DESCRIPTION.	QT. Y
1	CT-Y-0160001	SHAFT-CYLNR	1
2	CT-Y-0160003	REAR COVER	1
3	CT-Y-0160002	FRONT COVER	1
4	CT-Y-0160006	SLEEVE-CYLNR 70	1
5	CT-Y-0160004	BOLT	4
6	GB95-12	FLAT WASHER	1
7	GB889. 1-M12	1- TYPE PREVAILING TORQUE TYPE HEXAGON LOCK NUT	1
8	GB889. 1-M8	1-TYPE PREVAILING TORQUE TYPE HEXAGON LOCK NUT	4
9	GB893. 1-30	ELASTIC RETAINING RING A-TYPE	1
10	JH1 2010	BEARING-SLIDE	1
11	CT-Y-1121000	CYLINDER SEALING PARTS ASSEMBLY	1
11.1	CT-Y-0160007	SEAL-ROD, CYLNR	1
11.2	CT-Y-0161000	PISTON-W/WSHR, ASSY	1
11.3	GB3452. 1-65×2.65	HYDRAULIC-PNEUMATIC RUBBER O-RING G TYPE	2
11.4	GB3452. 1-20×2.65	HYDRAULIC-PNEUMATIC RUBBER O-RING G TYPE	1

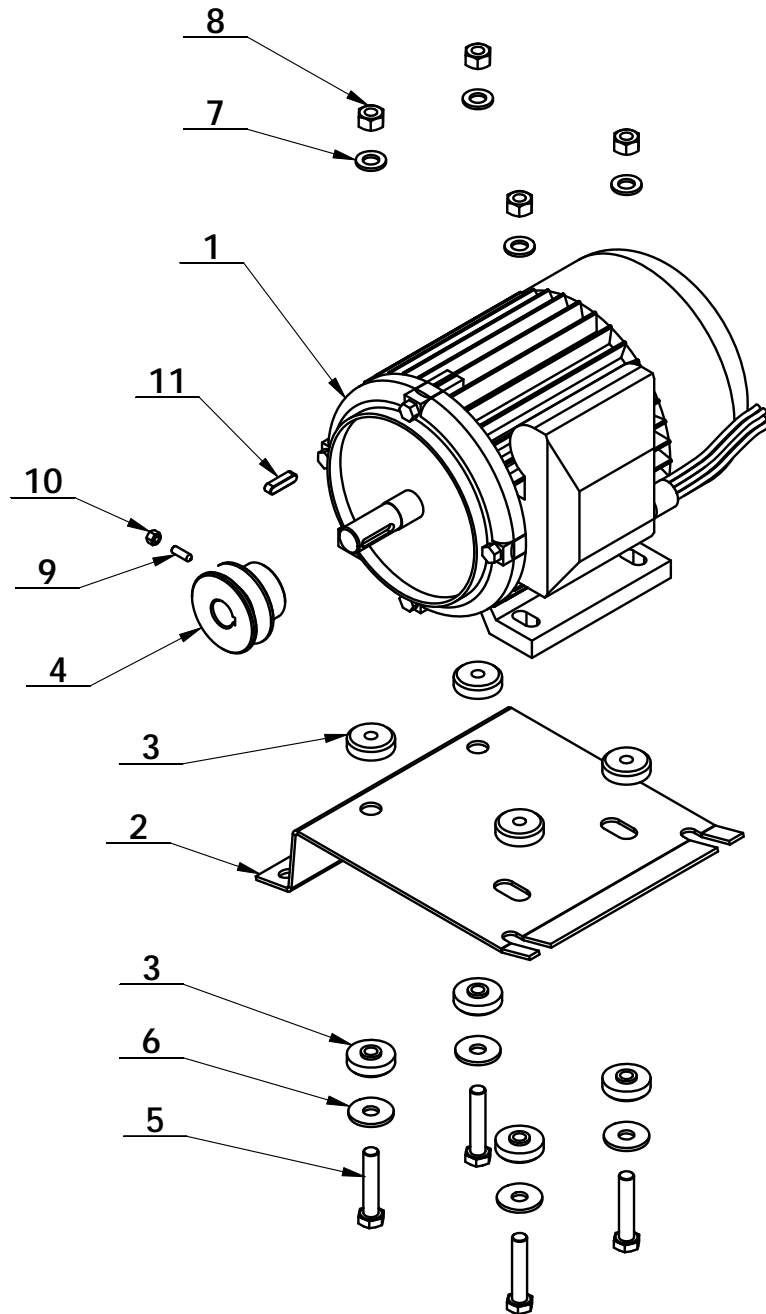


ITEM	PART. No	DESCRIPTION.	QT. Y
1	CT-Q-1000001	AIR GUIDE EXTERNAL BUSHING	1
2	CT-Q-1000002	AIR GUIDE ROTATION BUSHING	1
3	GB71-M3×6	SLOTTED CONIC HEAD SET SCREW	4
4	GB3452. 1-60×2. 65-G	HYDRAULIC-PNEUMATIC RUBBER O-RING G TYPE	3
5	FPC 8-01	MALE STRAIGHT	4

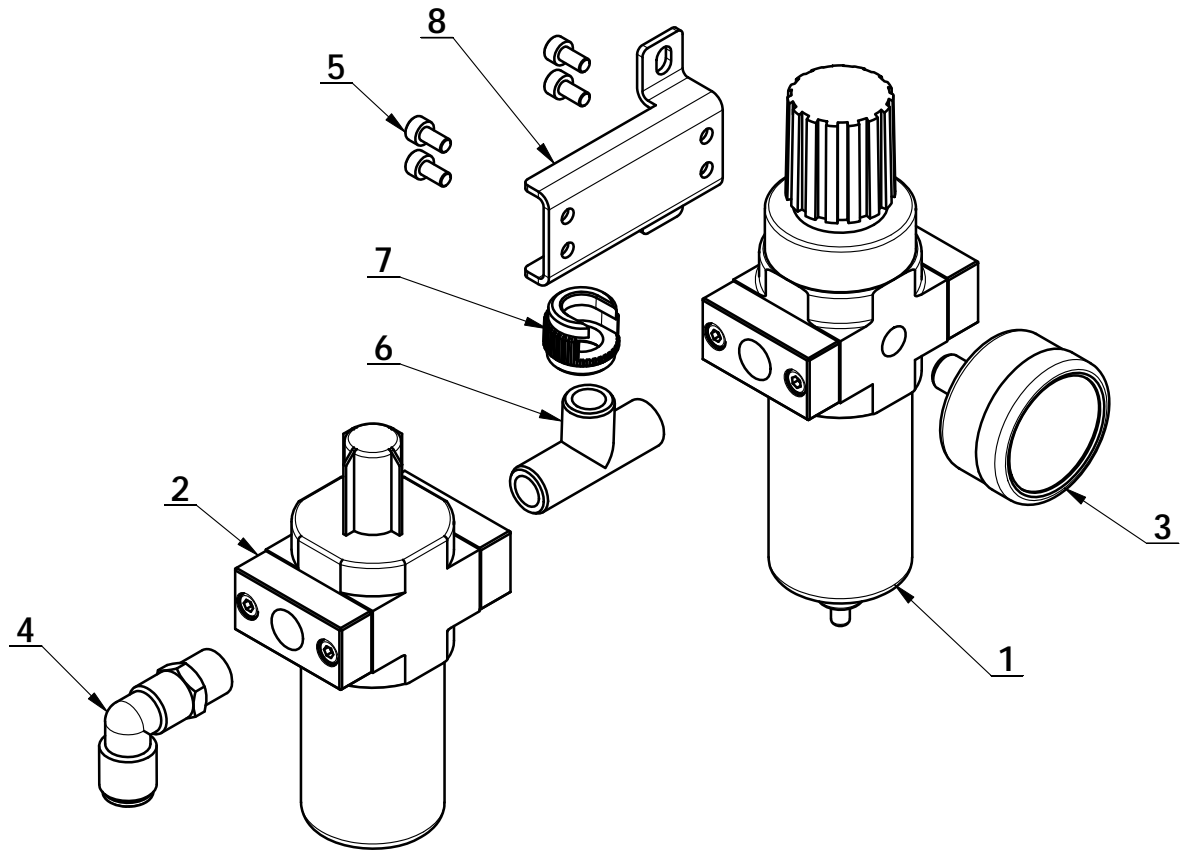


ITEM	PART. No	DESCRIPTION.	QT. Y
1	CT-J-0000005	GEARBOX	1
2	CT-J-0000006	GEARBOX TOP	1
3	CT-J-0000004	WORM ROD	1
4	CT-J-0000007	BELT PULLEY	1
5	CT-J-0000001	WORM SHAFT	1
6	GB276-6208	BEARING	1
7	GB1096-12×8×56	COMMON FLAT KEY	1
8	GB297-30205	BEARING	2
9	GB1099. 1-6×9×22	COMMON SEMI-CIRCULAR KEY	1
10	CT-J-0000003	WORM	1
11	GB894. 1-50	RETAINING RING A-TYPE	1
12	FB25-40 GB13871. 92	SEALED RING	1
13	CT-J-0100000	CAP	1
14	GB276-6010	DEEP GROOVE BALL BEARINGS	1
15	GB96. 2-8	LARGE WASHER C GRADE	1
16	GB93-8	STANDARD SPRING WASHER	1
17	GB5783-M8×25	HEXANGULAR BOLT	1
18	GB70. 1-M8×30	INNER HEXA CYLINDRICAL SCREW	8
19	GB41-M8	HEXANGULAR NUT	8
20	GB3452. 1-13. 2×2. 65-G	HYDRAULIC-PNEUMATIC RUBBER O-RING G TYPE	1
21	TC-10-1400013	BOLT	1

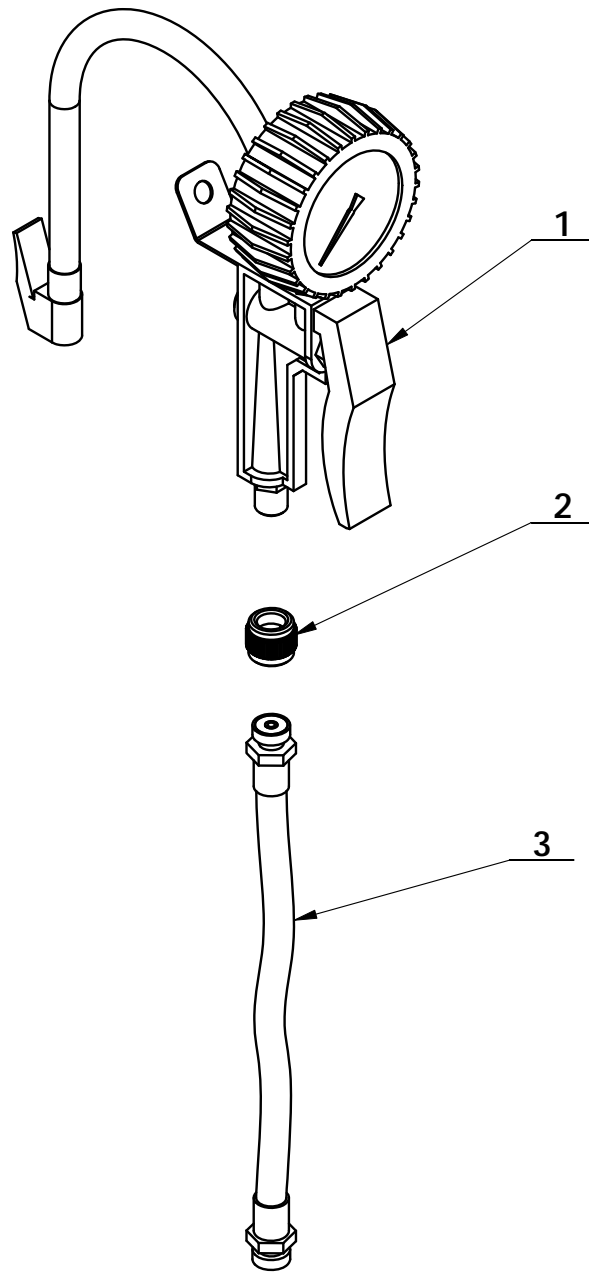
CT-DJ-0211212



ITEM	PART. No	DESCRIPTION.	QT. Y
1	CT-DJ-0011212	MOTOR (110V, 60Hz, 1P, 1.1Kw)	1
2	CT-DJ-0000001	MOTOR SUPPORT	1
3	CT-DJ-0000002	RUBBER WASHER	8
4	CT-DJ-0000003	MOTOR BELT PULLEY	1
5	GB5783-M10×50	HEXANGULAR BOLT	4
6	GB96. 1-10	LARGE WASHER A GRADE	4
7	GB95-10	FLAT WASHER	4
8	GB41-M10	HEXANGULAR NUT	4
9	GB78-M5×16	INNER HEXA CONIC TERMINUS SET SCREW	1
10	GB41-M5	NUT	1
11	GB1096-6×6×25	COMMON FLAT KEY	1

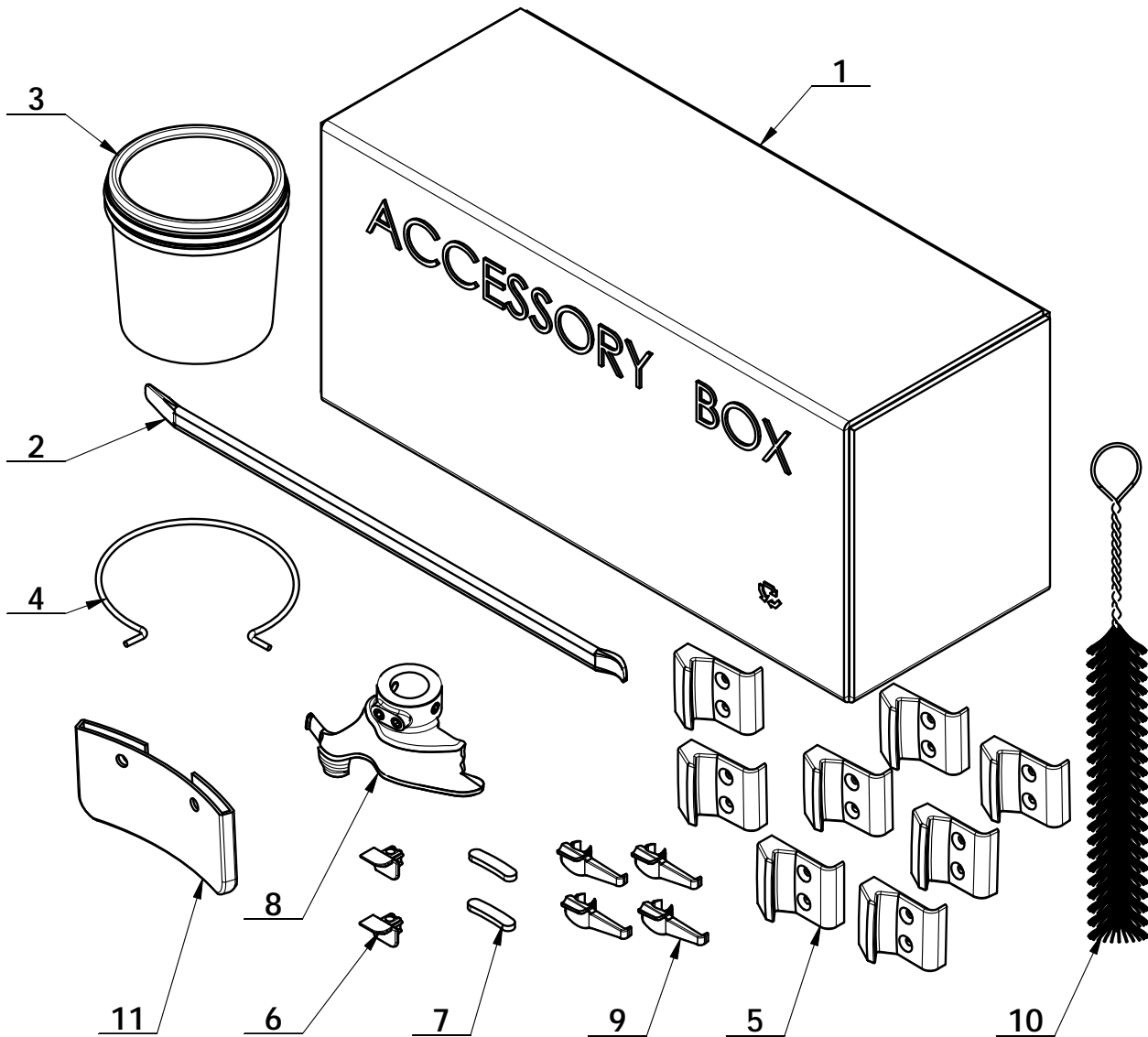


ITEM	PART. No	DESCRIPTION.	QT. Y
1	CT-F-3000010	WATER CPU	1
2	CT-F-3000020	OIL CPU	1
3	CT-F-2000003	PRESSURE GAUGE	1
4	FPL 8-02	INSERT ELBOW $\Phi 8$, R1/4	1
5	GB70. 1-M4 \times 8	INNER HEXA CYLINDRICAL SCREW	4
6	PEH 02-02	FAMALE UNION TEE	1
7	C-01-1500004	OPEN NUT	1
8	CT-F-2000009	AIR REGULATOR BRACKET	1



ITEM	PART. No	DESCRIPTION.	QT. Y
1	CT-P-6000001	INFLATING GUN	1
2	C-01-1500004	OPEN NUT	1
3	CT-P-1000002	INFLATION HOSE	1

C-21-8000000-008



ITEM	PART. No	DESCRIPTION.	QT. Y
1	C-54-8000002	ACCESSORY BOX	1
2	C-54-8000003	20INCH CROWBAR	1
3	C-54-8100000	GREASE CONTAINER	1
4	C-54-8000004	BRACKET	1
5	CT-M-0100001	CLAW	8
6	C-21-8000001	SMALL SHEATH	2
7	C-54-8000007	TOOL HEAF TAIL WASHER	2
8	C-21-8000100	SMALL DEMOUNTING HEAD ASSEMBLY	1
9	C-54-1300014	SHEATH	4
10	C-54-8000014	LUBE BRUSH	1
11	C-21-1000004	BEAD BREAKER BLADE COVER	1