

1

2

3

4

A

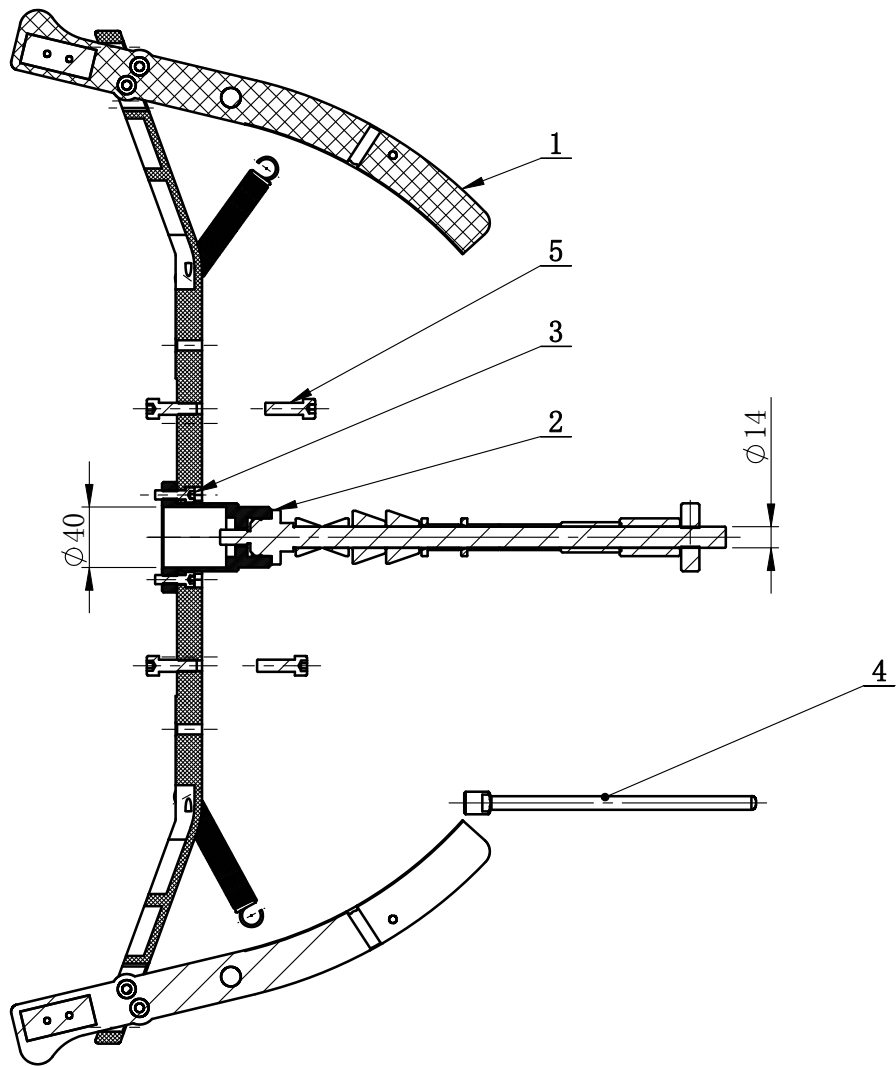
B

C

D

E

F



ITEM	PART NUMBER	Description.	Qty
1	TB-M-0940000	MOTORCYCLE CLAMPING ASSEMBLY FIXTURE	1
2	TB-M-0950000	BALANCING SHAFT	1
3	GB70. 1-M6 × 20	INNER HEXA CYLINDRICAL SCREW	2
4	TB-L-0300003	MEASURE SCALE ASSEMBLY	1
5	GB70. 1-M8 × 25	INNER HEXA CYLINDRICAL SCREW	2

TB-M-0900000LL