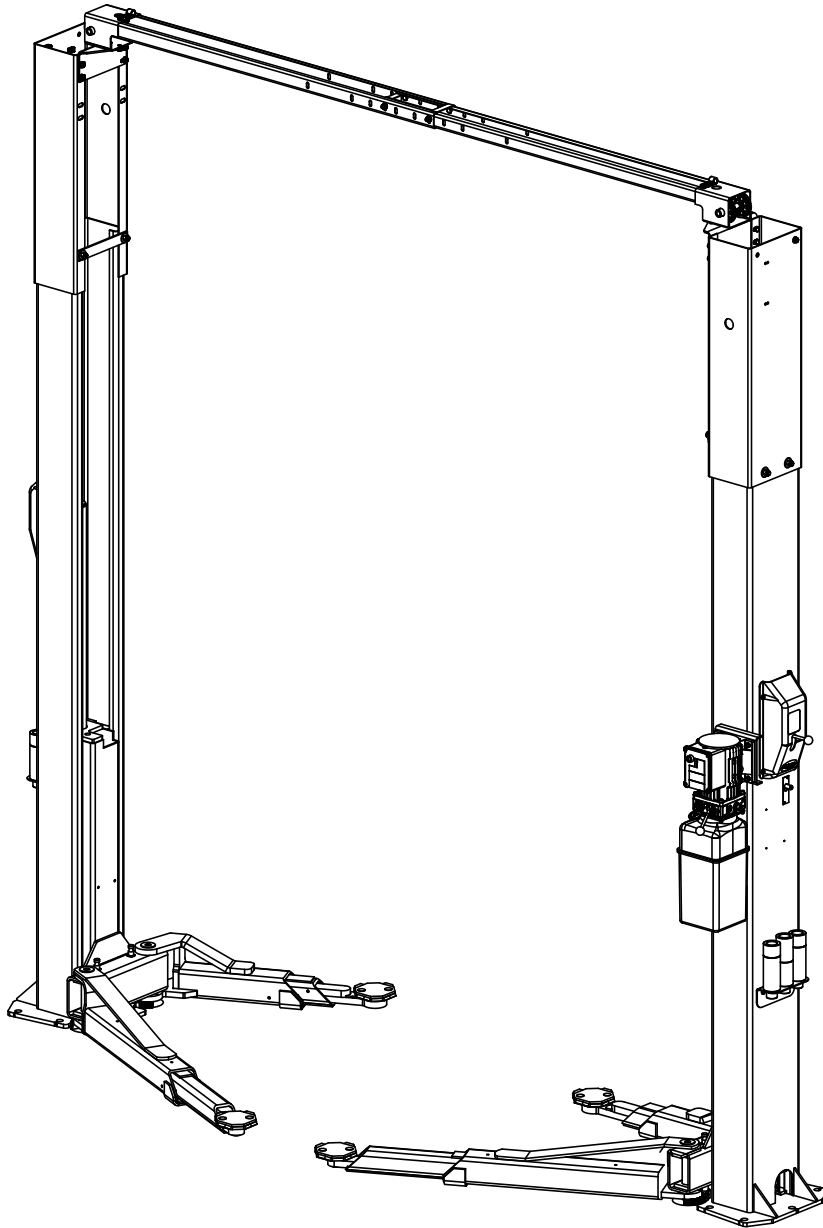


Parts Breakdown

Capacity 10,000 lbs. (4,536 kg.)

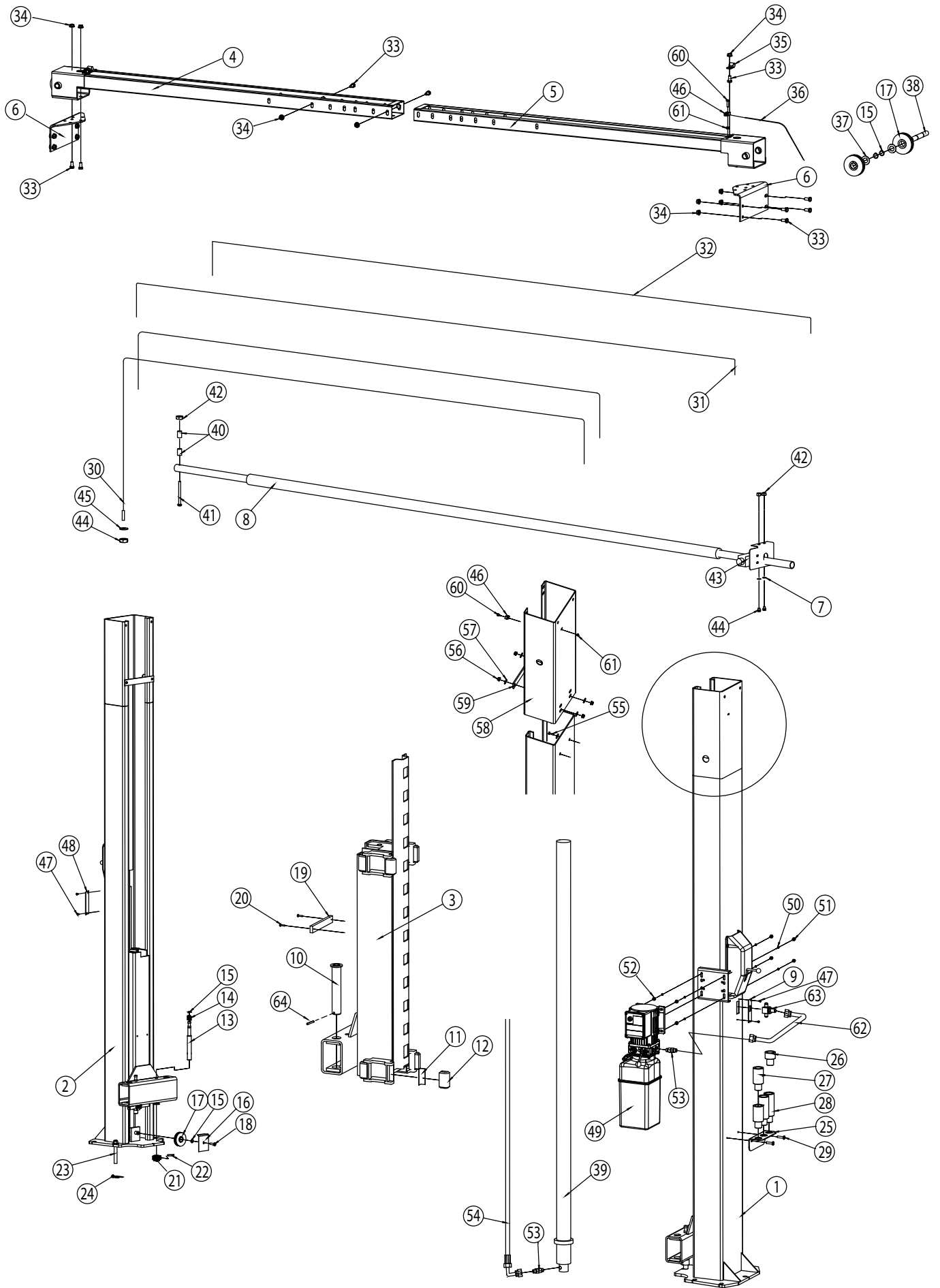
(100 Series Lift)

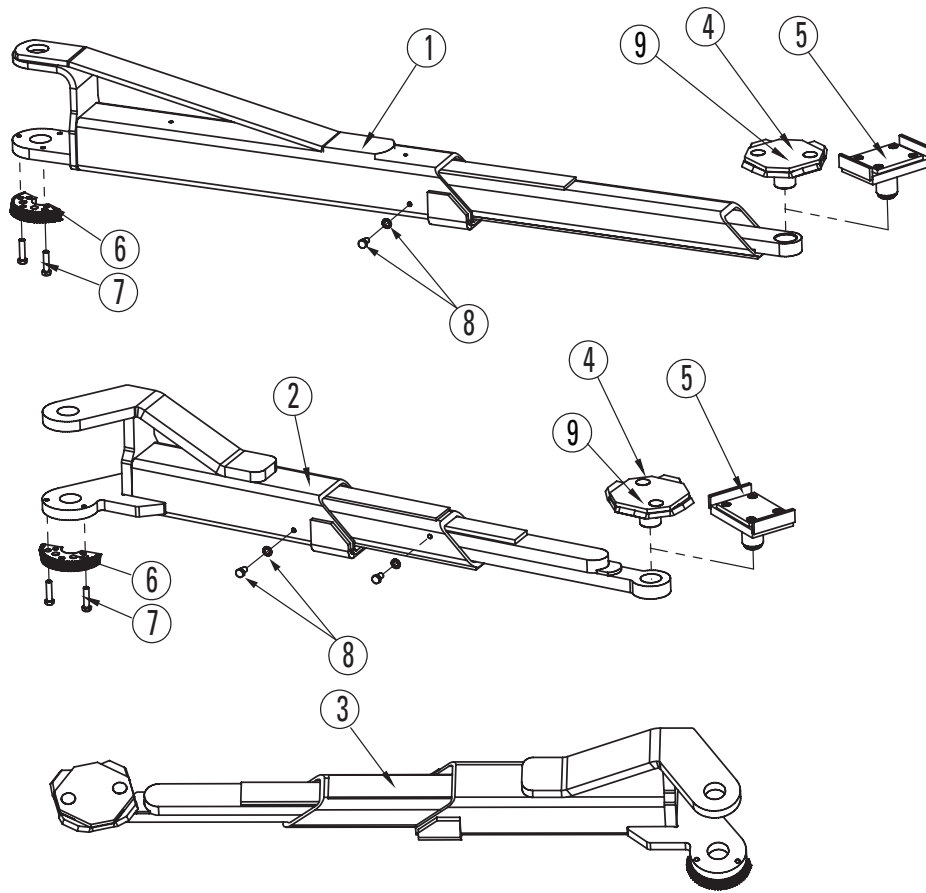


LP50032

ITEM	PART #	DESCRIPTION
1	PL10-1000	R.H. Column Weldment
2	PL10-1100	L.H. Column Weldment
3	PL10-2000	Carriage Weldment
4	N480-1	L.H. Overhead
5	N481-1	R.H. Overhead
6	TP10-3006	Top Bracket
7	B41-6	Flat Washer 1/4"
8	N415	1 Phase Switch Bar Assembly
9	TP6-5005-1	Cover Plate
10	995430	Arm Pin
11	30400-5025G	Slider Block Shim
12	TP10-6003	Slider Block
13	DP9-3004	Actuator Pin
14	143537	Press Spring
15	41411	Klipring For 3/4" Shaft
16	N119-1	Sheave Cover
17	N377	Sheave
18	40063	1/4"-20NC*3/8"Lg. PHMS Plated
19	PV-3005	Rubber Bumper
20	B20-8*35	M8*35 Socket Bolt
21	N2121	Pawl
22	14427	Spring Pin 1/4"*1-1/2"Lg.
23	FJ7380	Anchor Bolt
24	30400-1025	U Shim
25	FJ6145Y	Adapter Brachet
26	1070922	1.25" (32 mm) EXT.Adapter
27	1070923	3.5" (89 mm) EXT.Adapter
28	1070924	5" (127 mm) EXT.Adapter
29	40227	5/16"-18NC*3/8"Lg.PHMS
30	PL10-1001	Equalizer Cable
31	PL10-9801-3	Overhead Hose
32	FJ7600	Latch Release Cable
33	41536	M10-1.5*20Lg. HHCS
34	41655	M10-1.5 Flanged Lock Nut
35	G3T-8005	Hose Clamp
36	N618	Latch Cable Guide
37	41388	Washer
38	G3T-4001	Sheave Shaft
39	N3155	Cylinder
40	G3T-4003	Limited Bar Spacer
41	911481	1/4"-20NC*2"Lg.HHCS
42	911403	1/4"-20NC Nylon Lock Nut
43	N413	Overhead Switch 1 Phase

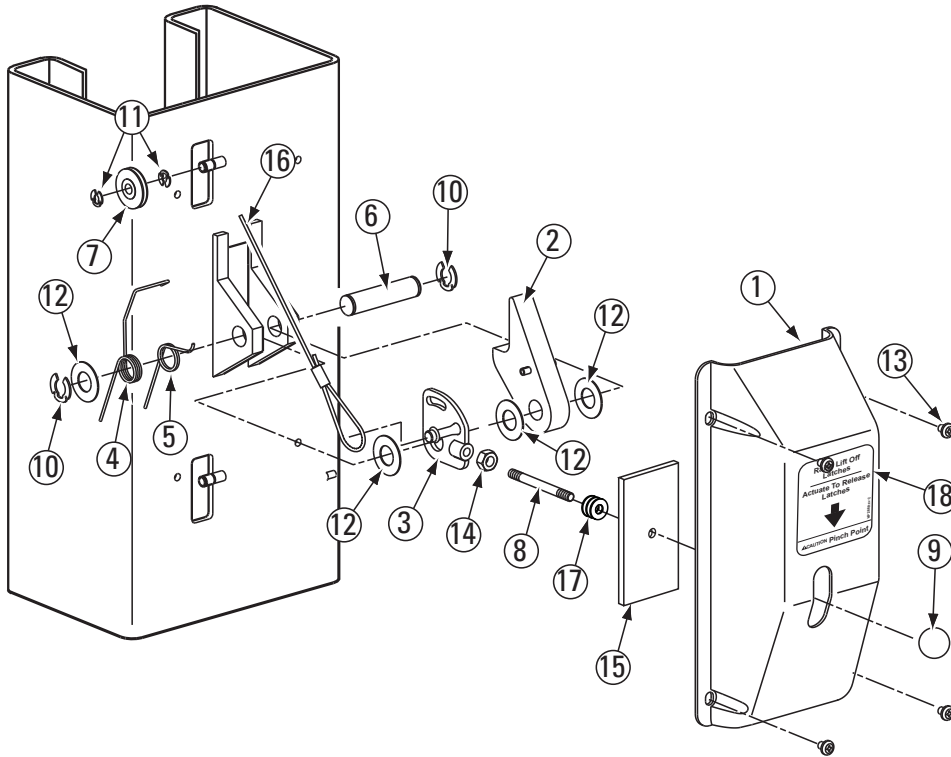
44	911421	1/4"-20NC*1/2"Lg.HHCS
45	913206	Flat Washer Ø16
46	N619	Latch Cable Bracket
47	B23-4*6	M4*6Lg.PHMS
48	TP6-1002	Cover Plate
49	P3622	Power Unit 1 Phase
50	40854	5/16" External Tooth Lockwasher
51	40271	5/16"-18NC*1-1/2 HHCS
52	40670	5/16"-18NC Hex Nut
53	FJ7352-3	Straight Fitting
54	PL10-9801-2	Mainside Hose
55	40286	1/2"-13*1-1/4"HHCS (G.5)
56	40707	1/2"-13 Nylon Lock Nut
57	H4D-2000-10	1/2" Flat Washer
58	TPB10-2001	Extension Column
59	TPB10-2002	Column Reinforce
60	40108	1/4"-20NC*1"Lg.HHCS
61	40641	1/4"-20NC Flanged Lock Nut
62	PL10-9801-1	Hose
63	HPRO-Y002	T-Fitting
64	B51-6X20	Spring Pin





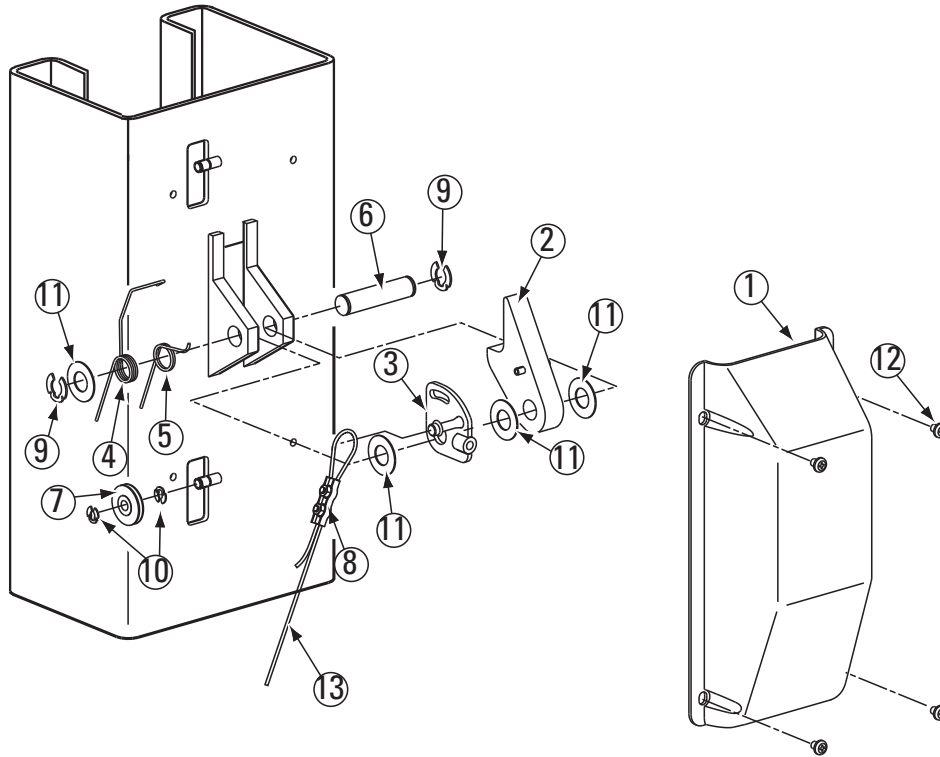
ITEM	PART #	DESCRIPTION
1	TP10-4001	REAR ARM ASSEMBLY
2	TP10-5001	LEFT FRONT ARM ASSEMBLY
3	TP10-5401	RIGHT FRONT ARM ASSEMBLY
4	TP10-3000	ADAPTER ASSEMBLY
5	T100285	TRUCK ADAPTER ASS. ACCESSORY (SET OF 4)
6	N2122	GEAR
7	912061	3/8"-16NC*1-1/2 HHCS
8	N219	STOP BOLT ASSEMBLY
9	994105	RUBBER PAD KIT (SET 4)

Locking Latch Detail (Right Column)



ITEM	PART#	DESCRIPTION
1	TP6-5003	Control Side Cover
2	TP10-1010	Locking Latch Dog
3	FJ7594-2	Control Plate
4	FJ7566-10	Spring
5	FJ7382-9	Spring
6	FJ7382-34	Latch Shaft
7	FJ7322	Locking Latch Sheave
8	FJ7382-18	Handle
9	FC134-91	Ball Handle
10	41411	Truarc Klipring #5304-75 for 3/4" Shaft
11	41410	Truarc Klipring #5304-37 for 3/8" Shaft
12	41388	1-1/2" O.D. x 3/4" I.D. x .045" Mach. Bush.
13	40227	5/16"-18NC x 3/8" Lg. PHMS
14	40658	3/8" - 16NC Hex Jam Nut
15	N617	Slot Cover
16	FJ7600	Locking Latch Cable
17	40820	3/8" Flat Washer
18	NP266	Latch Release Decal

Locking Latch Detail (Left Column)



ITEM	PART#	DESCRIPTION
1	TP6-5004	Latch Cover
2	TP10-1010	Locking Latch Dog
3	FJ7594-2	Control Plate
4	FJ7566-10	Spring
5	FJ7382-9	Spring
6	FJ7382-34	Latch Shaft
7	FJ7322	Locking Latch Sheave
8	N63-1	Latch Cable Clamp
9	41411	Truarc Klipring #5304-75 for 3/4" Shaft
10	41410	Truarc Klipring #5304-37 for 3/8" Shaft
11	41388	1-1/2" O.D. x 3/4" I.D. x .045" Mach. Bush.
12	40227	5/16"-18NC x 3/8" Lg. PHMS
13	FJ7600	Locking Latch Cable

NOTES

Vehicle Service GroupSM
2700 Lanier Drive
Madison, IN 47250, USA
1-800-640-5438
www.vsgdover.com



© **Vehicle Service GroupSM**
All Rights Reserved. Unless otherwise
indicated, **Vehicle Service GroupSM**
and all other trademarks are property
of Dover Corporation and its affiliates.