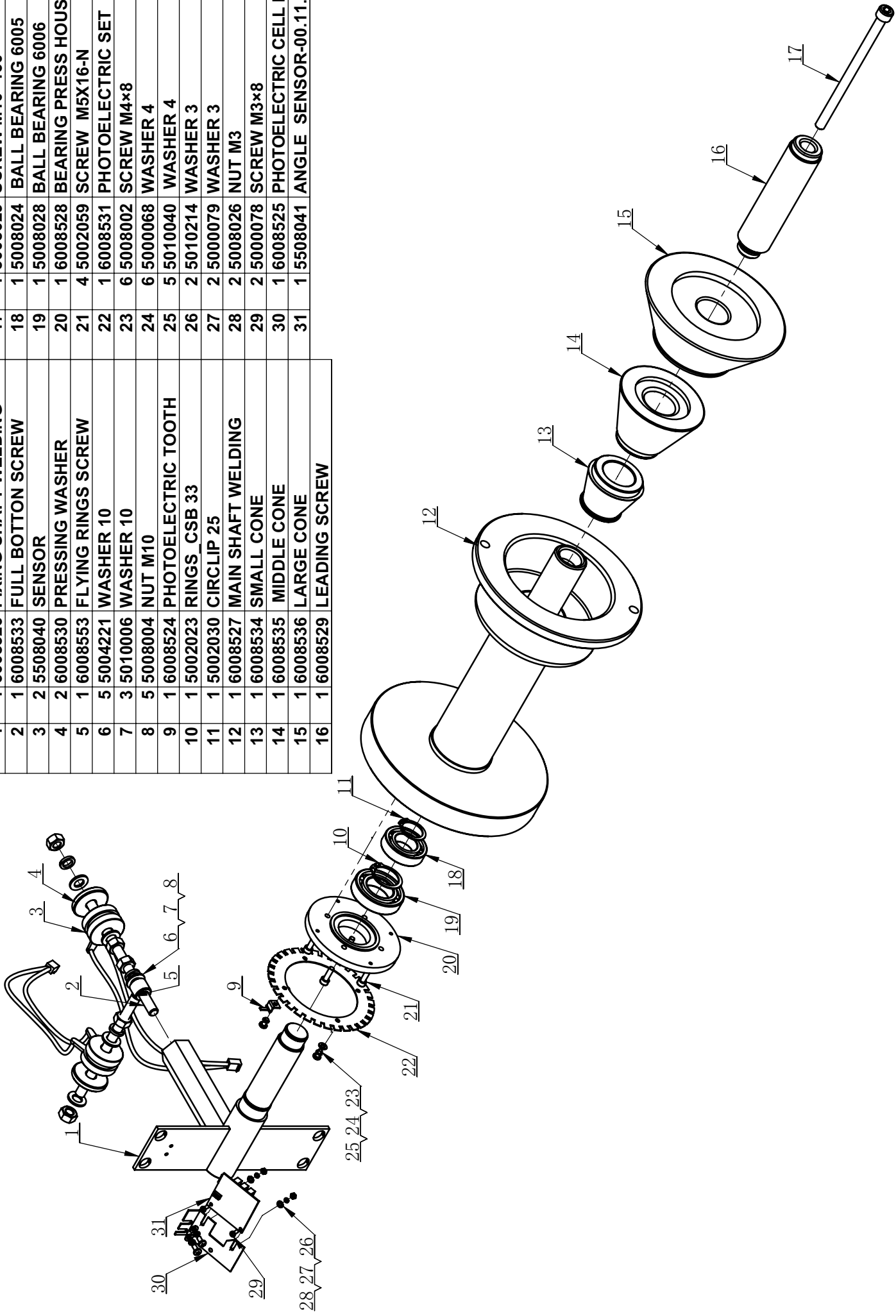


CB953B GENERAL ASSEMBLY

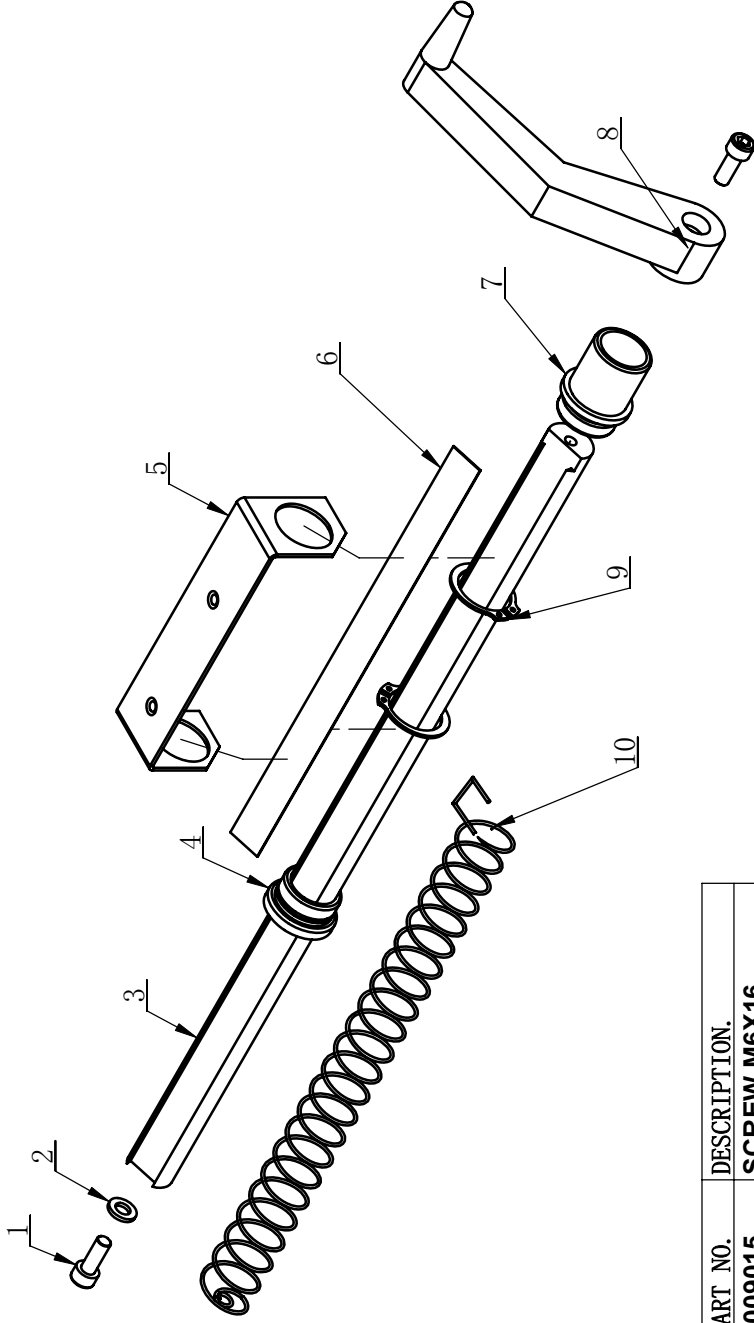
ITEM QTY.	PART NO.	DESCRIPTION.	ITEM QTY.	PART NO.	DESCRIPTION.
1	1 6008501	BODY	42	8 5509009	PILLAR
2	1 5508001	MOTER(220v)	43	5 5008030	SCREWS M4x10
3	1 6008503	MOTOR BELT PULLEY	44	5 5010040	WASHER 4
4	1 5508002	WEDGE BELT(940mm)	45	5 5000068	WASHER 4
5	4 5008041	BOLT M10X20	46	1 5508004	UNIVERSAL RESISTOR
6	8 5010006	WASHER 10	47	1 5509025	COMPUTER BOARD
7	4 5008001	NON-STANDARD WASHER Φ11	48	2 5508015	FIX PLATE
8	1 6008511	FRONT DOOR	49	1 5508014	SWITCH CONNECTION LINE
9	14 5008003	SCREW ST5.5X25	50	1 5508007	POWER SWITCH
10	2 5008010	SCREW ST5.5x19	51	2 5508006	CONE HANG HANDLE
11	1 6008512	FRONT DOOR CONNECT PLATE	52	1 5508022	INSULATION WASHER
12	4 5010064	SCREW M10X25	53	1 5508029	RESISTANCE CLAMP
13	4 5004221	WASHER 10	54	1 5508018	PHOTOCELL BOARD WIRING
14	1 6008518	BALANCING SHAFT ASSEMBLY	55	1 5508021	PROTECTIVE WIRING
15	1 5004032	SCREW M6X20-N	56	1 5508005	TRANSFORMER 220V
16	2 5509023	MAGNET	57	1 5508019	SENSOR WIRING
17	1 5508031	SUPPORT PIPE EXTENSION SPRING	58	1 5508020	MAIN BOARD CONNECTION LINE
18	1 6008513	SUPPORT PIPE	59	1 5508016	PANEL WIRING
19	1 6008515	TIGHT BUSHING	60	2 5008008	SCREW M5x12
20	1 5009015	SCREW M6X16	61	1 6008517	SCALE ASSEMBLY
21	2 5010093	SCREW M10X50	62	1 5008009	SCREW M6x10
22	2 5006001	NUT M10	63	2 5010058	WASHER 6
23	7 5007001	NUT M6	64	1 6008502	WEIGHT TRAY
24	5 5000007	WASHER 6	65	1 5508030	CB953 PANEL
25	2 8008509	PIPE BASE U-CLAMPR	66	4 5008032	SCREW M3X25
26	1 5509024	STROKE SWITCH	67	1 5508010	CB953 DISPLAY BOARD
27	7 5010065	SCREW M3X10	68	1 6008504	PANEL CONTROL DESK COVER
28	1 6008514	ACCENTRICAL SHAFT	69	1 6008505	NUT PRESS PLATE ASSEMBLY
29	1 5000002	SCREW M8X16-N	70	1 6008507	BACK PRESS PLATE OF THE CONTROL
30	2 5008011	NUT M8	71	2 5508008	PRESS HAND WHEEL
31	1 5010063	SCREW M8X20	72	2 5008031	BOLT M10x25
32	1 5508011	DRAG RESISTANCE DEVICE	73	2 5009024	NUT M10
33	1 5508012	POWER CABLE	74	1 6008844	PRESS PLATE
34	4 5000078	SCREW M3x8	75	4 5008005	SCREWS M3x16
35	29 5000079	WASHER 3	76	1 6008508	CONTROL DESK SUPPORT BRACKET
36	37 5010214	WASHER 3	77	1 5508013	BEND PIPE PROTECTIVE COVE
37	27 5008026	NUT M3	78	1 5008045	BOLT M6X25
38	4 5009002	SCREW M3x8	79	1 5508048	CRESCENT PROTECTIVE COVER
39	1 6008843	RADIATOR FIN	80	1 6008521	CONNECTING BRACKET
40	1 5509012	POWER SUPPLY BOARD	81	1 6008900	ACCESSORY CB953
41	1 6008845	SUPPORT PLATE			

B-P.01.00.00A

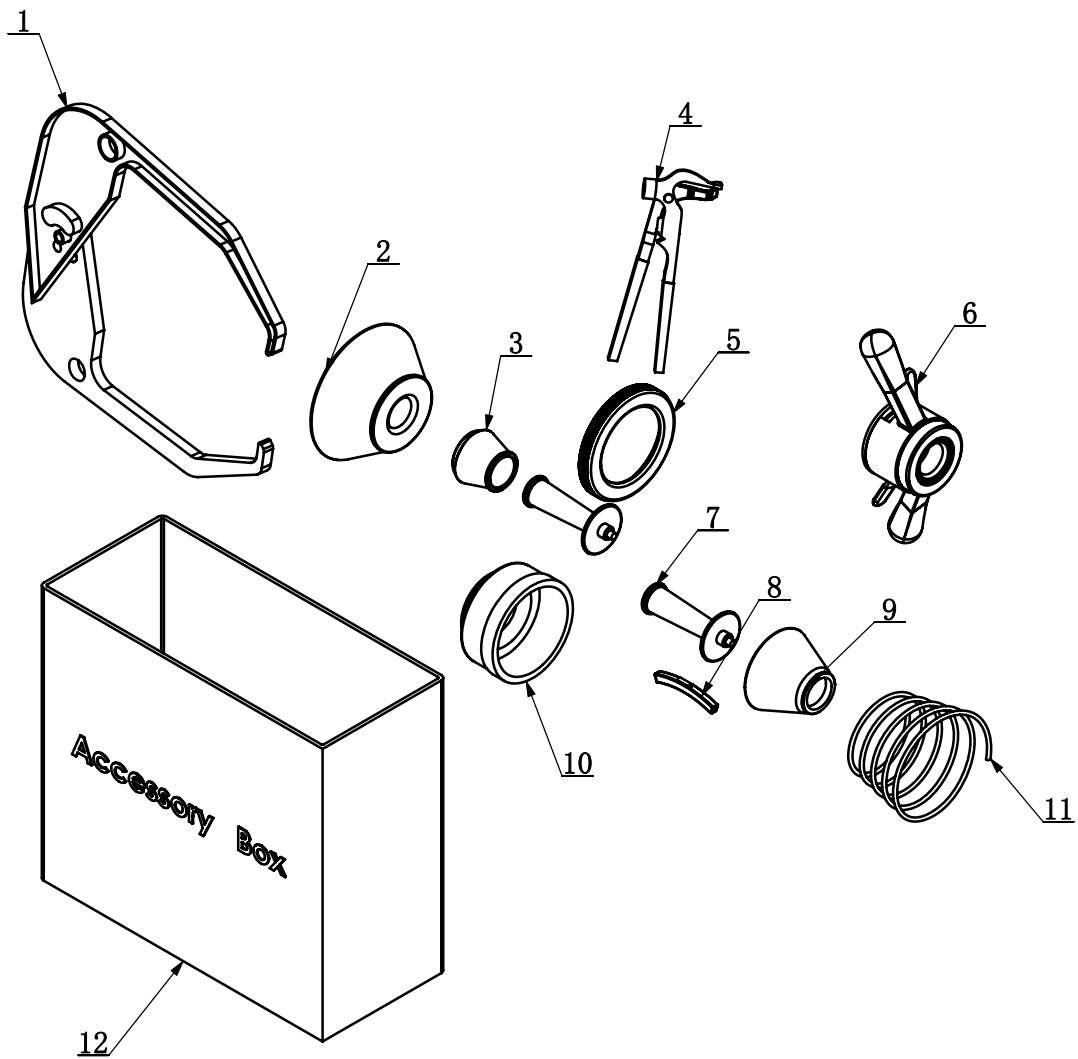
ITEM QTY.	PART NO.	DESCRIPTION.	ITEM QTY.	PART NO.	DESCRIPTION.
1	6008526	FIXING SHAFT WELDING	17	5008029	SCREW M10x160
2	6008533	FULL BOTTOM SCREW	18	5008024	BALL BEARING 6005
3	5508040	SENSOR	19	5008028	BALL BEARING 6006
4	6008530	PRESSING WASHER	20	6008528	BEARING PRESS HOUSING
5	6008553	FLYING RINGS SCREW	21	4 5002059	SCREW M5X16-N
6	5004221	WASHER 10	22	1 6008531	PHOTOELECTRIC SET
7	5010006	WASHER 10	23	6 5008002	SCREW M4x8
8	5008004	NUT M10	24	6 5000068	WASHER 4
9	6008524	PHOTOELECTRIC TOOTH	25	5 5010040	WASHER 4
10	1 5002023	RINGS_CSB 33	26	2 5010214	WASHER 3
11	1 5002030	CIRCLIP 25	27	2 5000079	WASHER 3
12	1 6008527	MAIN SHAFT WELDING	28	2 5008026	NUT M3
13	1 6008534	SMALL CONE	29	2 5000078	SCREW M3x8
14	1 6008535	MIDDLE CONE	30	1 6008525	PHOTOELECTRIC CELL PLATE
15	1 6008536	LARGE CONE	31	1 5508041	ANGLE SENSOR-00.11.034
16	1 6008529	LEADING SCREW			



B-L.01.00



ITEM	QTY.	PART NO.	DESCRIPTION.
1	2	5009015	SCREW M6X16
2	1	5000007	WASHER 6
3	1	6008522	SCALE ROD
4	1	5508037	HARNES
5	1	6008523	SCALE SEAT
6	1	5508039	SCALE
7	1	5508038	HARNES
8	1	5508036	SCALE HANDLE
9	2	5002030	CIRCLIP 25
10	1	5508035	SPRING



ITEM	QTY.	PART NO.	DESCRIPTION.
1	1	5508032	CALIPER ASSEMBLY
2	1	6008536	LARGE CONE
3	1	6008534	SMALLI CONE
4	1	5508068	BALANCE HAMMAR
5	1	5508027	BOWL EDGE
6	1	5508023	QUICK NUT(Φ36)
7	2	5508006	CONE HANG HANDLE
8	1	5508024	WEIGHT(100g)
9	1	6008535	MIDDLE CONE
10	1	5508026	BOWL
11	1	5508025	SPRING
12	1	5508069	ACCESSORY BOX