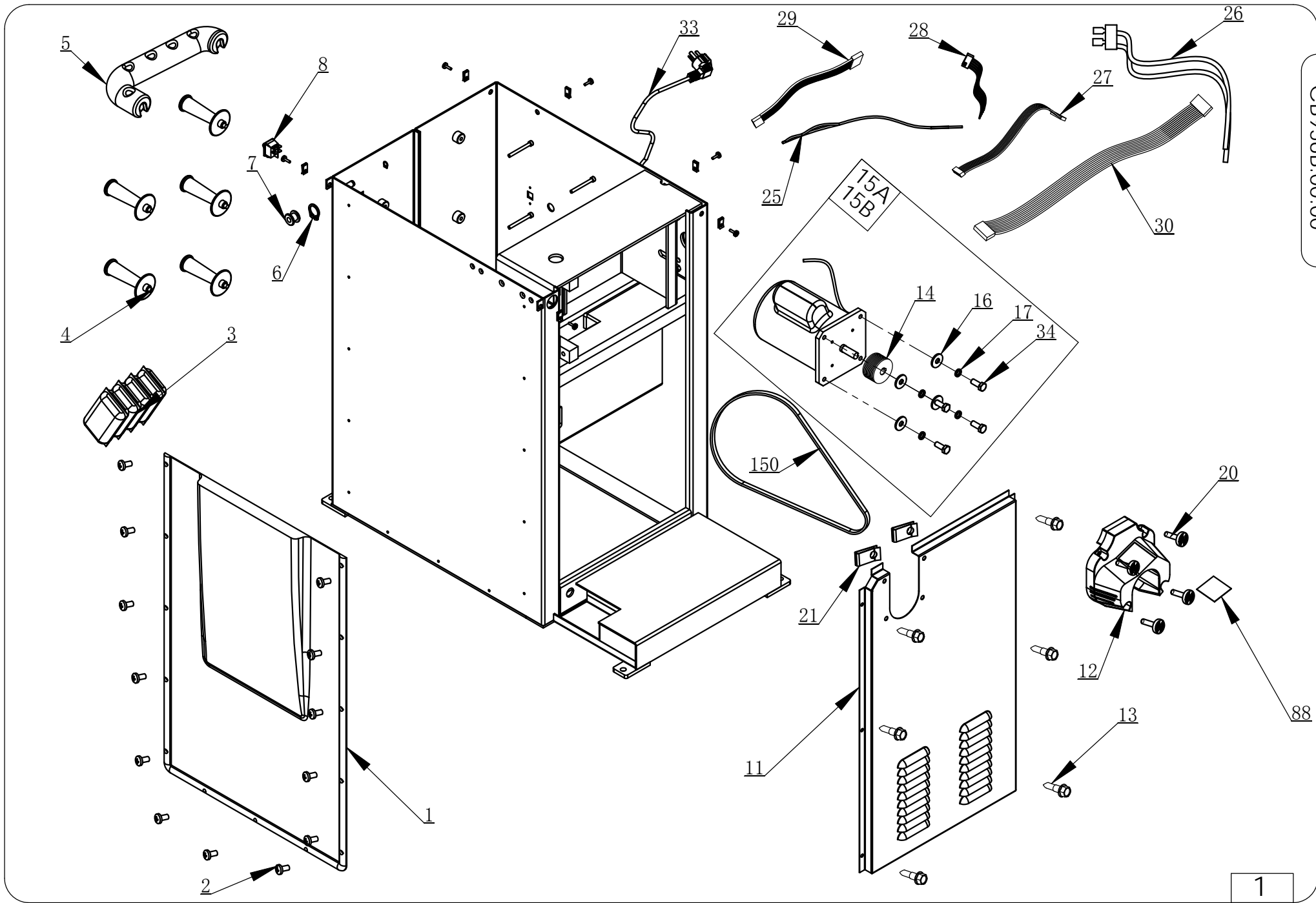
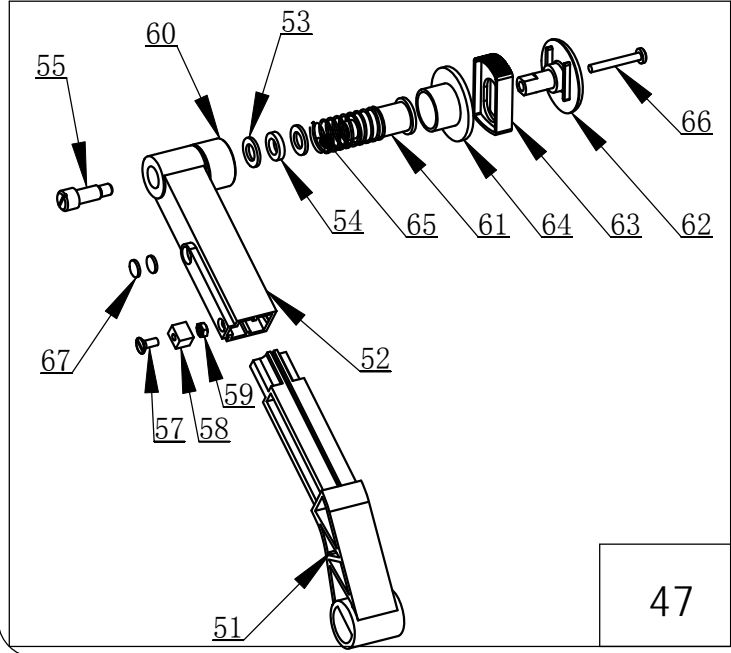
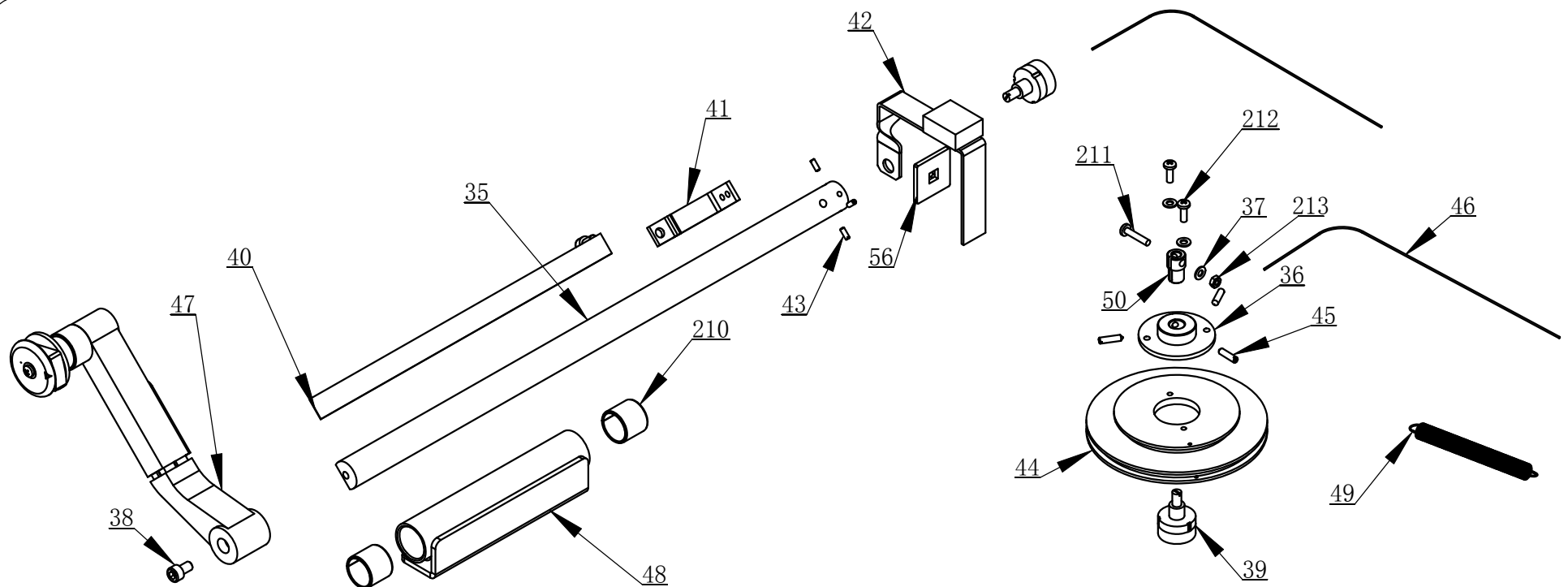

Wheel Balancer Exploded Drawing

CB956B

Version: QI/GM.CB956B-2009-03

Date: June 10.2009

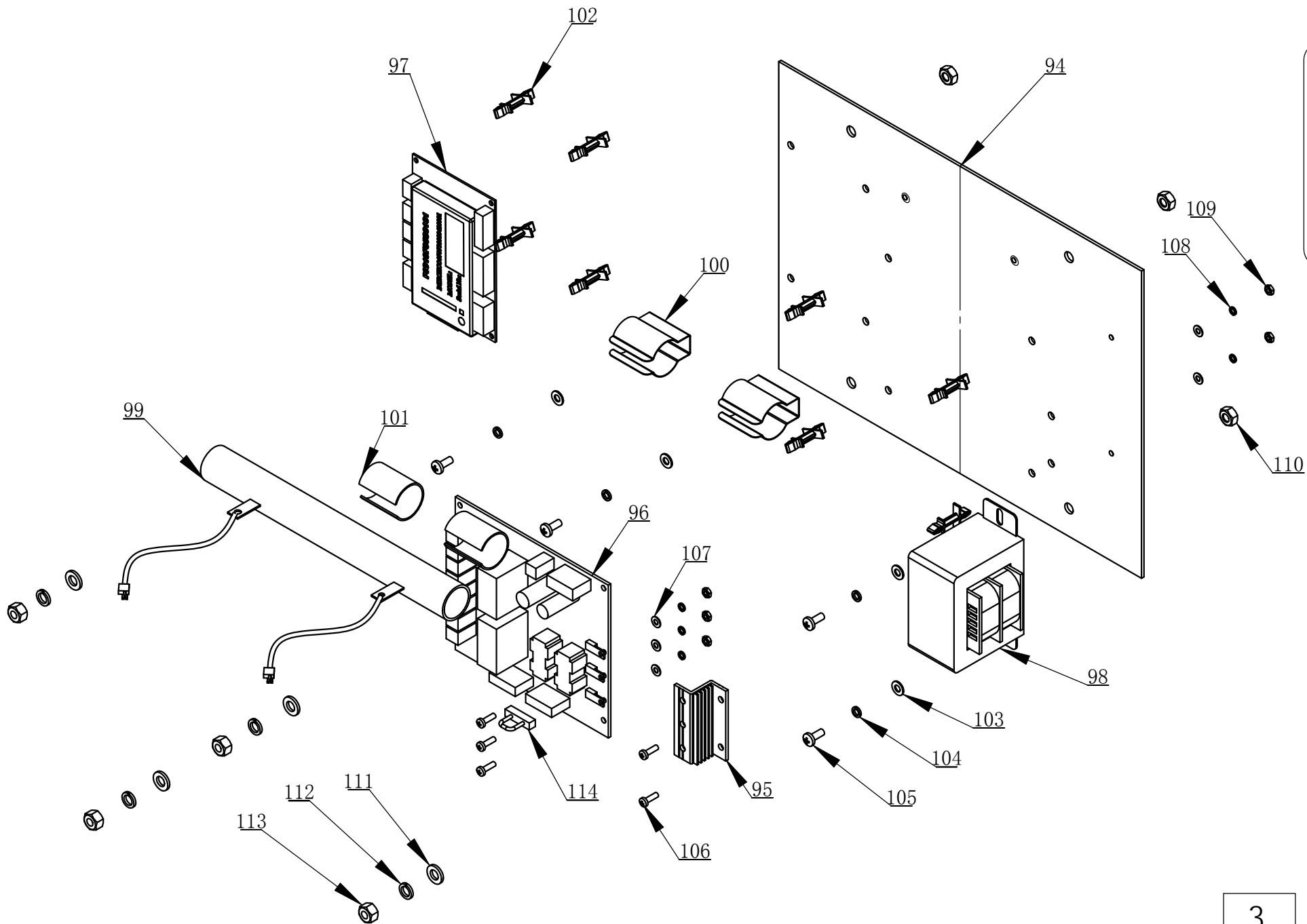


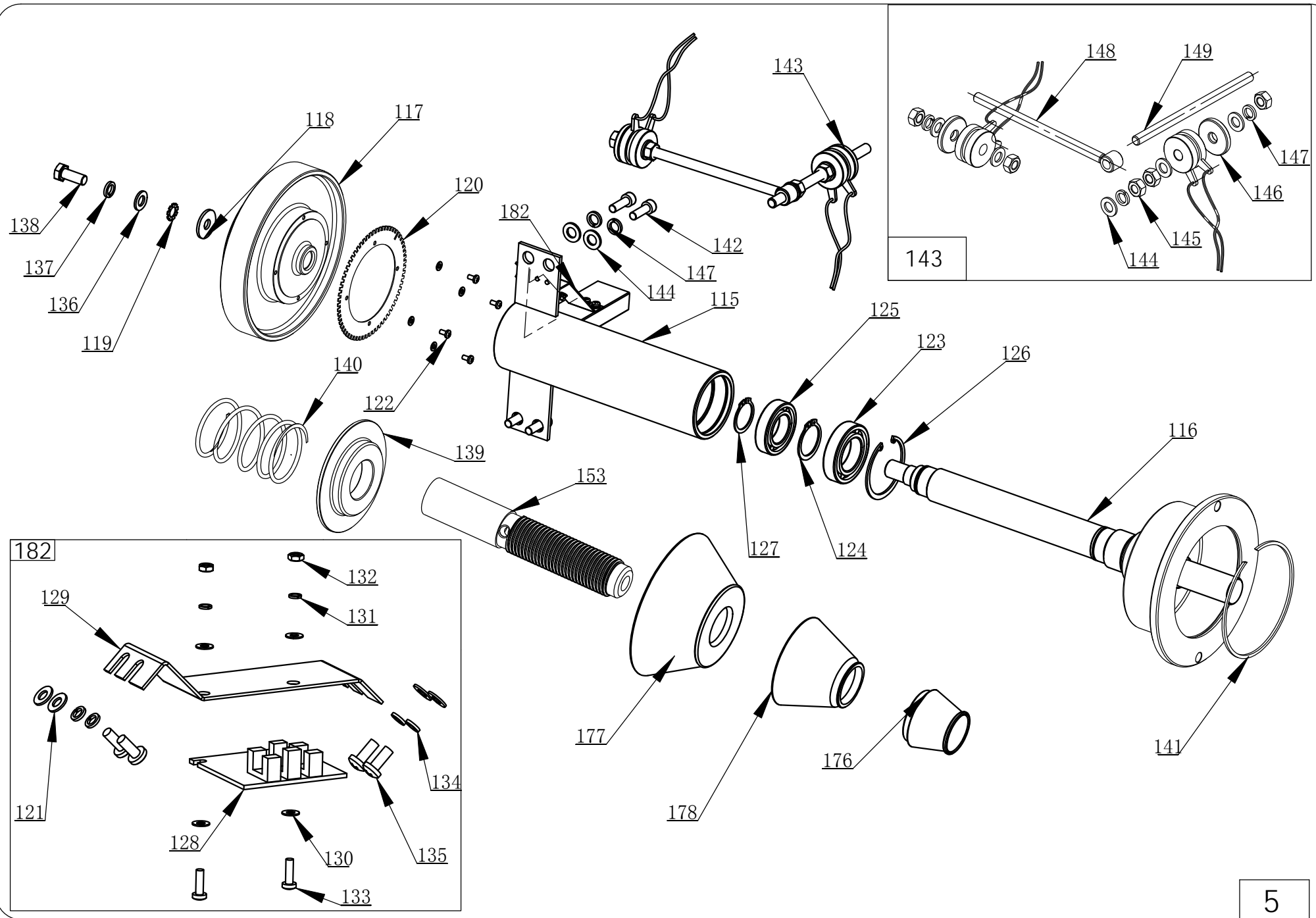


47

2

6

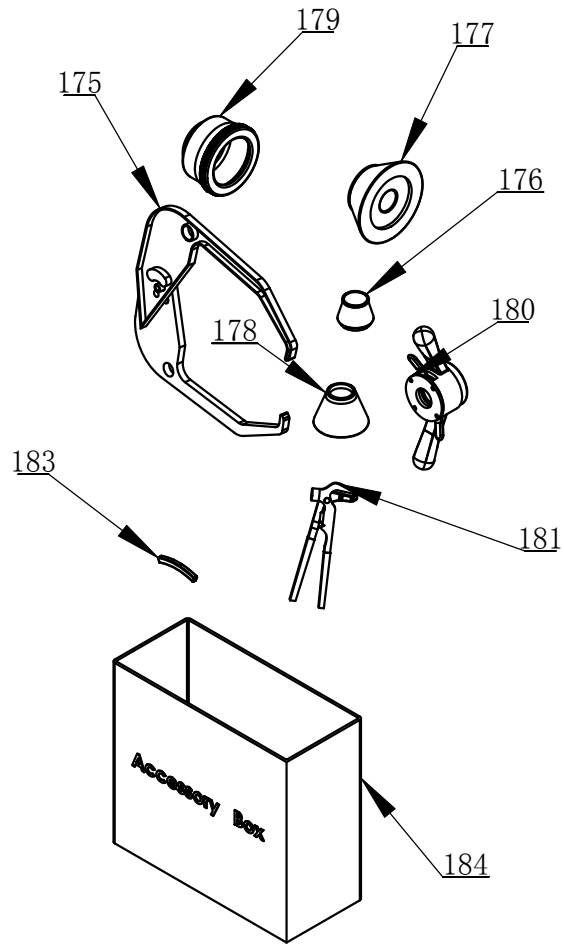




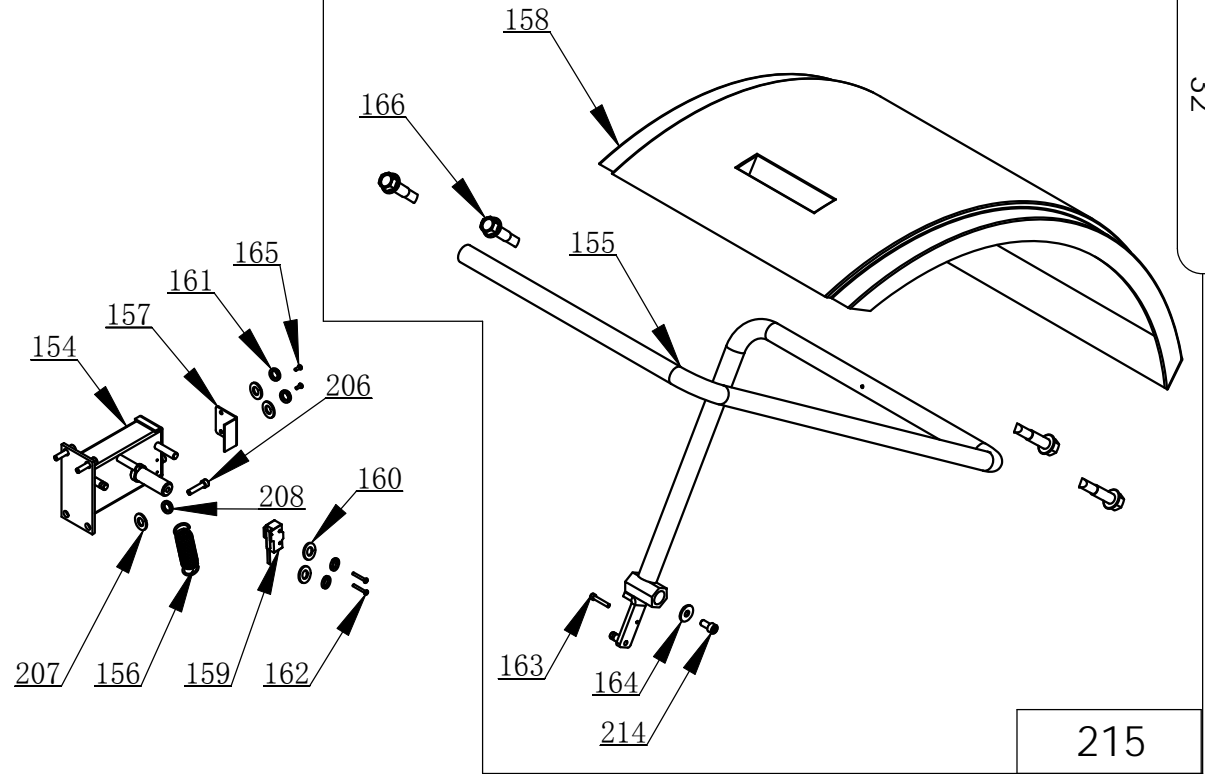
18

5

31

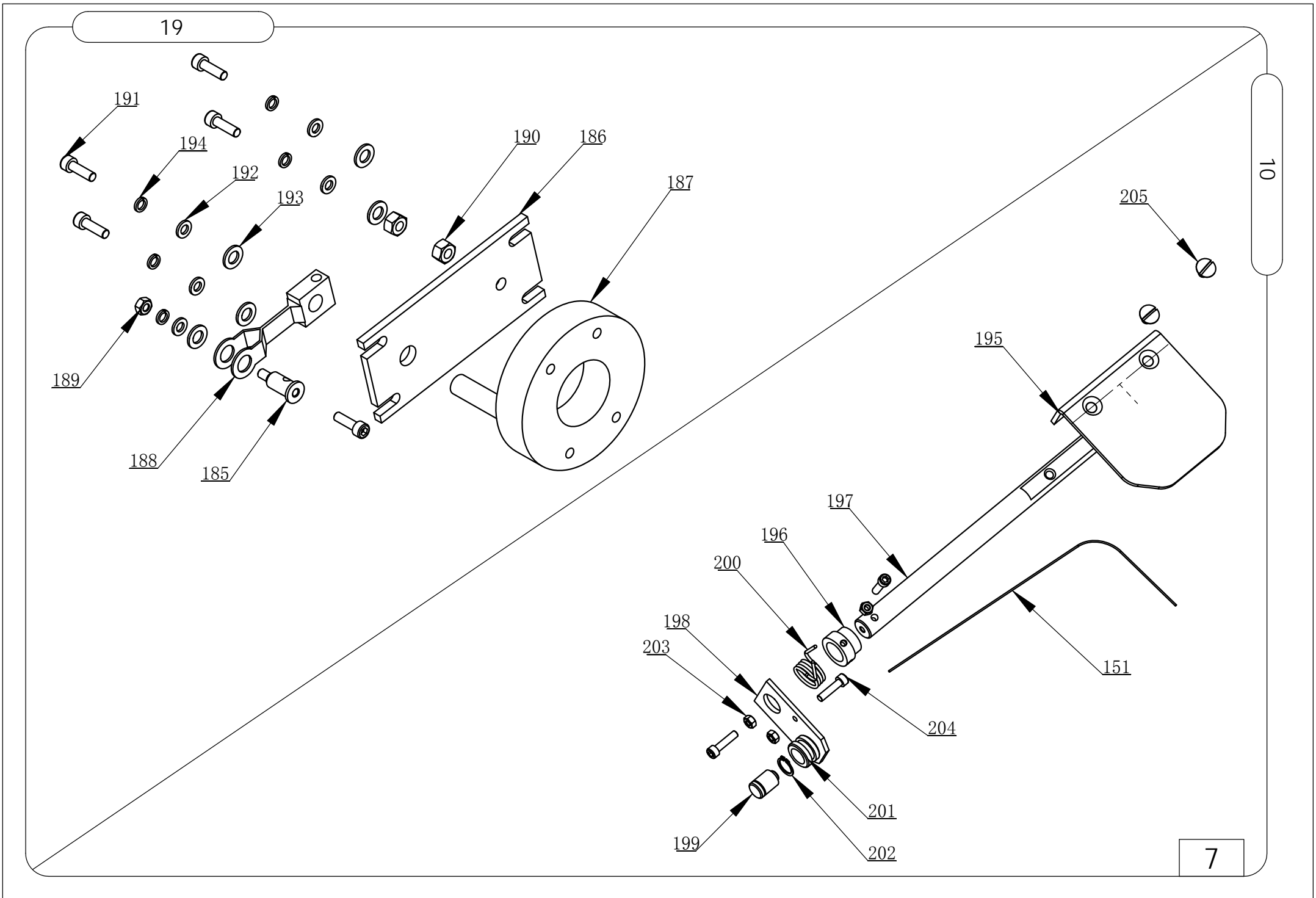


32



215

6



CB956B ASSEMBLY LIST

ITEM	QTY.	PART NO.	DESCRIPTION
1	1	6008856	FRONT PANAL
2	13	5009007	SCREW-M4X8-8
3	4	5509082	SANDBAG5kg
4	5	5508006	CONE HANGER
5	1	6008857	TOOL RACK
6	1	5002030	SHAFT RETAINING RING
7	1	6008544	GUIDE WHEEL
8	1	5508007	POWER SWITCH
9	1	6009988	SCALE ASSEMBLY
10	1	6008863	ROTATION SHAFT ASSEMBLY
11	1	6008866	SIDE SEALNG PANEL
12	1	6008862	MAIN SHAFT COVER
13	6	5008010	SCREW-ST5.5×19
14	1	6008503	MOTOR PULLEY
15A	1	5509037	MOTOR 0.25kW
15B	1	5509909	CONVERSION MOTOR
16	5	5008001	NON-STANDARD PLAIN WASHER
17	9	5008119	WASHER STANDARD SPRING
18	1	5509084	BALANCING SHAFT ASSEMBLY
19	1	5007789	BRAKE ASSEMBLY
20	10	5009036	SCREW M4
21	10	5009037	ELASTIC PIECE SCREW
22	1	5509085	PROTECTIVE RUBBER PLUG
23	1	6008871	WEIGHT TRAY
24	1	6008888	DISPLAY PANEL
25	1	5508060	SWITCH CABLE
26	1	5509054	PROTECTIVE CABLE
27	1	5509088	PANEL CABLE
28	1	5508062	PHOTOCELL PLATE CABLE
29	1	5509090	MAINBOARD CABLE
30	1	5509091	DISPLAY CABLE
31	1	6008889	CB956 ACCESSORY
32	1	5508048	SCALE PROTECTIVE COVER
33	1	5508206	POWER CABLE
34	5	5004020	BOLT-M10X25
35	1	6008800	SCALE ROD
36	1	6008549	Wheel core
37	3	5010040	WASHER
38	2	5004220	SCREW-M6X10

CB956B ASSEMBLY LIST

ITEM	QTY.	PART NO.	DESCRIPTION
39	2	5508046	SLIDE RESISTOR
40	1	5509100	SCALE STICK 300mm
41	1	6008546	BRACKET
42	1	6008995	PIZEO WELDING ASSEMBLY
43	3	5009030	SCREW-M3×8
44	1	6008994	ROTATION WHEEL
45	3	5010113	SCREW-M4X16
46	2	5009101	STEEL WIRE φ1
47	1	6008901	SCALE ASSEMBLY
48	1	6008996	SCDLE GUIDE BUSHING ASSEMBLY
49	1	5508086	AUTOMATIC MEASURE TAPE EXTENSION SPRING
50	1	6008550	BUSHING
51	1	5509071	AUTOMATIC MEASURE TAPE HANDLE
52	1	5509069	AUTOMATIC MEASURE TAPE HANDLE TELESCOPIC BUSH
53	2	5000018	WASHER
54	1	5009033	WASHER
55	1	5509066	TELESCOPIC BUSH SCREW
56	1	5508015	SUCK DISK
57	1	5006063	SCREW -M4×10
58	1	5509068	TELESCOPIC SHAFT STOP BLOCK
59	1	5000063	HEX SCREW I
60	1	6008903	ADAPTER SLEEVE
61	1	6008902	ADAPTER SLEEVE
62	1	5509102	SPACER SLEEVE
63	1	5509103	COLUMN JACK
64	1	5509105	PRESS COVER
65	1	5509104	SPRING
66	1	5008067	SCREW-M4X30
67	2	5509023	HIGH STRENGTH MAGNET
68	2	5009040	SCREW-M3X14
69	1	6008887	CASE A
70	1	6008888	DISPLAY PANEL
71	4	6008877	CUSHION COLUMN 2
72	11	5009010	WASHER GB95
73	8	5009013	WASHER STANDARD SPRING GB93
74	8	5009011	NUT GB6170
75	1	6008898	DISPLAY HOOK
76	1	6008885	DISPLAY HOOK SPRING

CB956B ASSEMBLY LIST

ITEM	QTY.	PART NO.	DESCRIPTION
77	6	5009039	SCREW-M5X20
78	4	6008881	DISPLAY SHAFT WASHFT
79	2	6008882	DISPLAY SHAFT DAMPER COVER
80	2	5004008	NUT GB41-M6
81	4	5008070	SCREW-M4X12
82	2	6008884	DISPLAY SHAFT
83	2	6008883	DISPLAY SHAFT BRACKET
84	1	6008880	DISPLAY STEEL BRACKET
85	4	6008878	CUSHION COLUMN 1
86	2	6008879	DISPLAY SHAFT COVER
87	4	5010214	WASHER
88	1	5500555	STAINLESS STEEL MIRRO
89	4	5000073	SCREW-M3X6
90	6	5006897	NUT-HEX C
91	1	6008876	DISPLAY PANEL
92	4	5008005	SCREW-M3X20
93	1	6008874	B CASE
94	1	6008873	ELECTRICAL INATALLATION BOARD
95	1	6008843	COOLING PLATE
96	1	5509012	MULTIPLE POWER BOARD
97	1	6008851	COMPUTER MAINBOARD
98	1	5508005	TRANSFORMER 110v/220v
99	1	5508004	10Ω RESISTANE
100	2	5508029	RESISTANE FASTENER
101	2	5508022	INSULATION WASHER
102	8	5508003	CIRCUIT BOARD SUPPORT 15
103	4	5008069	WASHER
104	4	5008068	WASHER STANDARD SPRING
105	4	5000010	CROSS RECESS HEAD SCREW
106	5	5010065	SCREW -M3X10
107	5	5009010	WASHER
108	5	5009013	WASHER STANDARD SPRING
109	5	5009011	NUT
110	4	5008123	NUT-HEX I
111	4	5008063	WASHER
112	4	5008122	WASHER
113	4	5004008	NUT
114	1	6009888	MAINBOARD COVER

CB956B ASSEMBLY LIST

ITEM	QTY.	PART NO.	DESCRIPTION
115	1	6008559	MAIN SHAFT COVER
116	1	6008560	ROTATION SHAFT
117	1	5509075	LARGE BELT PULLEY
118	1	5004005	WASHER
119	1	5008047	WASHER
120	1	5509076	photocell disk
121	8	5010040	WASHER
122	4	5000091	SCREW-M4X8
123	1	5010234	BEARING
124	1	5010221	RETAINING RING FOR SHAFT
125	1	5008028	BEARING
126	1	5008048	RETAINING RING
127	1	5002023	RETAINING RING
128	1	5509077	PHOTOCELL PLATE
129	1	5509078	PHOTOCELL PLATE BRACKET
130	4	5010214	WASHER
131	2	5000079	WASHER
132	2	5008026	NUT-M3
133	2	5010065	SCREW-M3X10
134	4	5000068	WASHER
135	4	5000010	SCREW-M4X10
136	5	5008072	WASHER
137	5	5008119	WASHER STANDARD SPRING
138	1	5004020	BOLT-M10X25
139	1	6008676	SPRING PRESS COVER
140	1	6008979	BALANCING SHAFT PRESS SPRING
141	1	5007969	COLLAR
142	4	5010088	HEXAGONAL SOCKET HEAD SCREW
143	2	5508040	SENSOR
144	5	5004221	WASHER
145	5	5008004	NUT
146	2	6008530	PRESS WASHER
147	3	5010006	WASHER
148	1	6008553	FLYING RING SCREW
149	1	6008533	FULL THREAD SCREW
150	1	5508002	BELT
151	1	5009101	STEEL WIRE
152	1	5002069	SLOTTED COUNTERSUNK(FLAT) HEAD SCREW -M5X10

CB956B ASSEMBLY LIST

ITEM	QTY.	PART NO.	DESCRIPTION
153	1	6008563	THREAD SHAFT
154	1	6008706	PROTECTIVE COVER BRACKET
155	1	6008569	PROTECTIVE COVER CONNECT
156	1	5508058	PROTECTIVE COVER EXTENSION SPRING
157	1	6008586	POWER SWITCH PROTECTIVE GUARD ANGLE BLOCK
158	1	5508048	PLASTIC PROTECTIVE COVER
159	1	5010212	POWER SWITCH
160	4	5010040	WASHER
161	4	5000068	WASHER
162	2	5000031	SCREW-M4X30
163	1	5004031	SCREW- M6X35
164	1	5008001	NON-STANDARD PLAIN WASHER
165	2	5000010	SCREW-M4X10
166	4	5008077	HEX FLANGE SELF DRILLING TAPPING SCREW
167	1	6008502	WEIGHT TRAY
168	1	6008872	KEYBOARD PLATE
169	2	5010065	SCREW-M3X10
170	4	5008005	SCREW-M3X16
171	5	5009011	NUT
172	6	5009010	WASHER
173	4	5009013	WASHER STANDARD SPRING
174	1	5509024	REED SWITCH
175	1	5508032	CALIPER ASSEMBLY
176	1	6008580	SMALL CONE
177	1	6008582	LARGE CONE
178	1	6008581	MIDDLE CONE
179	1	5508026	BOWL
180	1	5509087	Φ40mm QUICK NUT
181	1	5508068	BALANCING HAMMER
182	1	5509088	PJOTOCELL PLATE ASSEMBLY
183	1	6000735	100g WEIGHT
184	1	5508069	ACCESSORY BOX
185	1	6008868	FIX SHAFT
186	1	6008869	BRAKE DISK FIX DISK
187	1	5509081	BRAKE
188	1	6008867	BRAKE SPANNER
189	1	5008123	NUT-HEX I
190	2	5002060	NUT-M8

CB956B ASSEMBLY LIST

ITEM	QTY.	PART NO.	DESCRIPTION
191	5	5004032	SCREW-M6X20
192	5	5008063	WASHER
193	5	5000018	WASHER
194	5	5008122	WASHER
195	1	6008861	PEDAL
196	1	6008864	FIX SLEEVE
197	1	6009875	ROTATION SHAFT
198	1	6009874	CONNECT PLATE
199	1	6009873	CONNECT SHAFT
200	1	6000220	TORSION SPRING
201	1	6008627	GUIDE
202	1	5002077	RETAINING RING FOR SHAFT
203	3	5008123	NUT-HEX I
204	3	5010088	HEX SOCKET CAP SCREW
205	2	5009035	SCREW-M8X12
206	4	5010209	HEX SOCKET CAP SCREW
207	4	5000018	WASHER
208	4	5004046	WASHER
209	1	6009788	POWER PANEL ASSEMBLY
210	2	6008998	ROTATION BUSHING
211	1	5000127	SCREW-M4X20
212	2	5010235	SCREW-M4X12
213	1	5000063	NUT
214	1	5004009	HEX SOCKET CAP SCREW
215	1	5508148	PROTECTIVE COVER