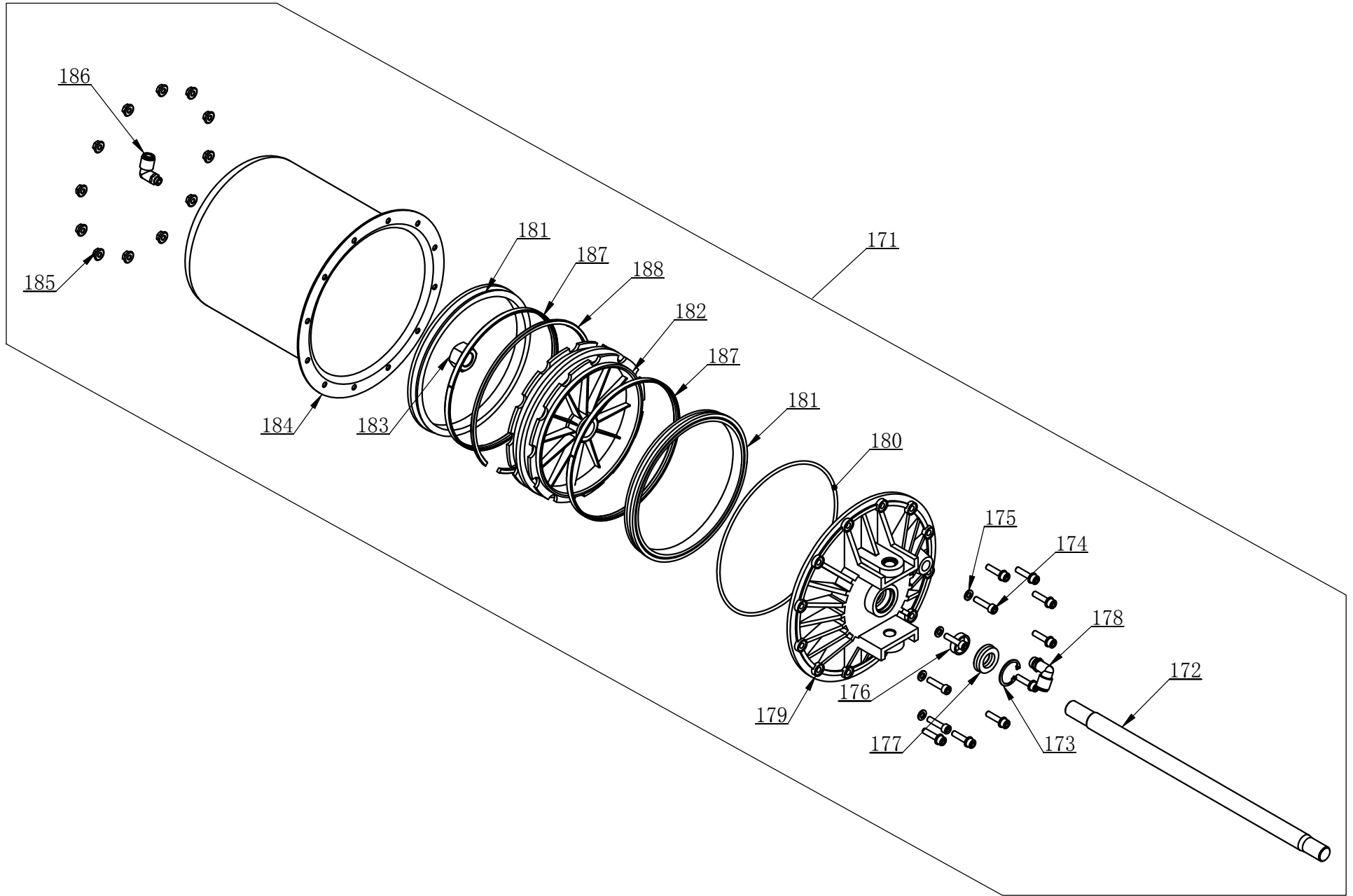
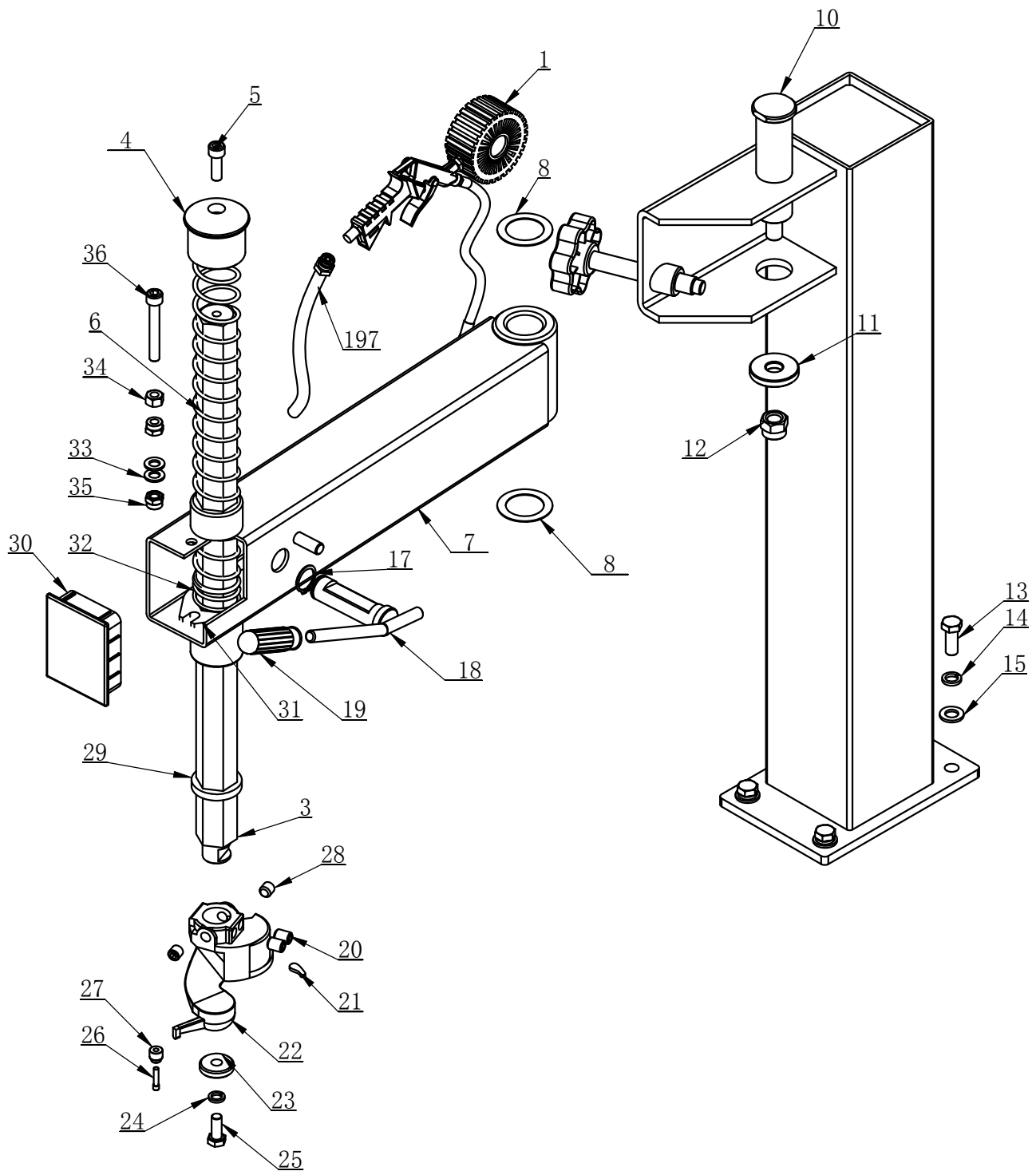


REVISION

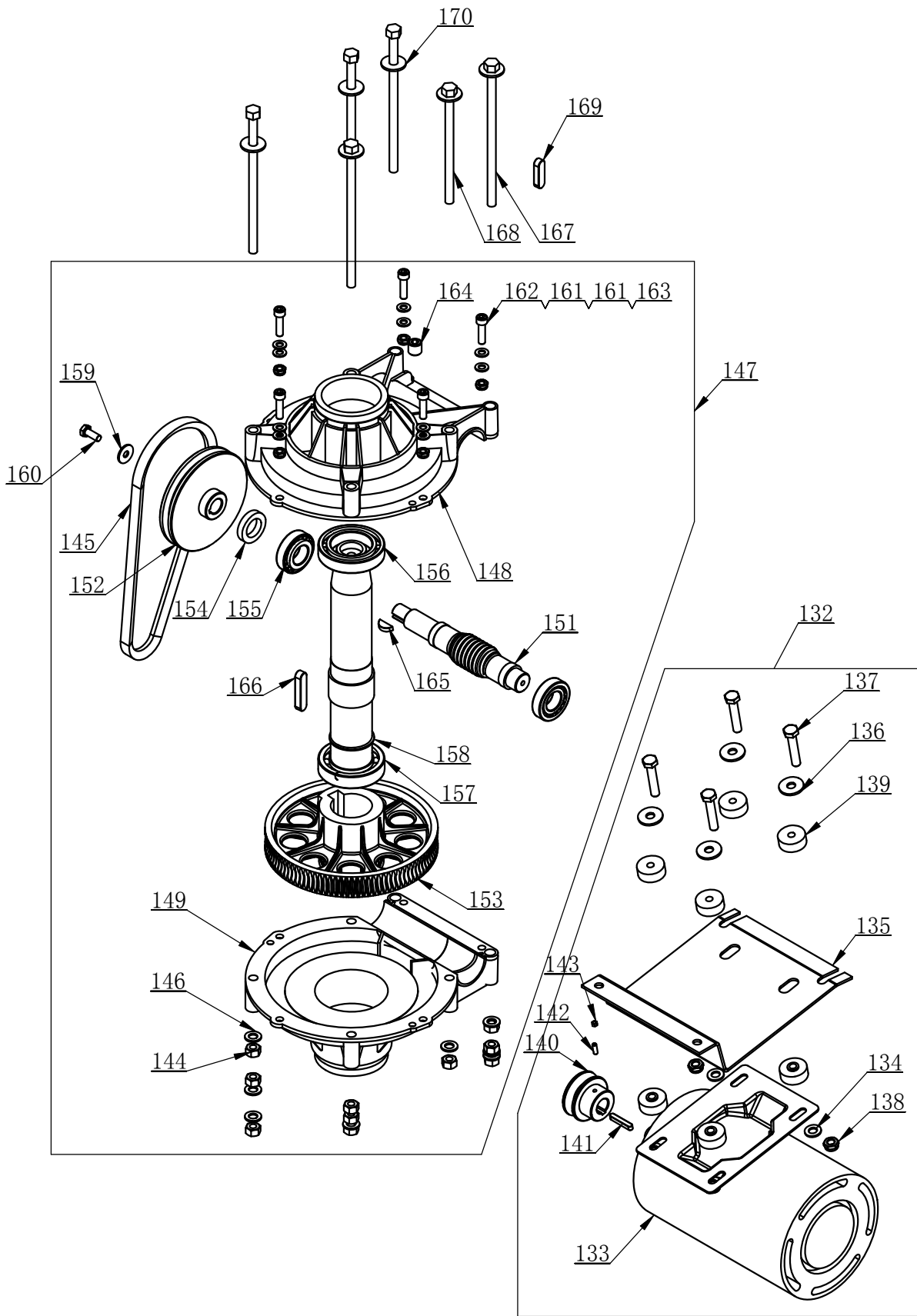
M806-B



M806-B



M806-B



ITEM	PART №	Description.	QTY	ITEM	PART №	Description.	QTY
1	5004098	INFLATING GUN	1	45	5010116	CIRCLIP 34	1
2	6004537	TILTING ARM ASSEMBLY	1	46	6000360	SPRING	1
3	6003196	HEXAGON SHAFT	1	47	5010211	CIRCLIP 18	1
4	5004200	VERTICAL SHAFT COVER	1	48	6000344	SLIDE SPACER	1
5	5000033	SCREW M10X30	1	49	6000361	SLIDE BUSHING	1
6	5502051	VERTICAL SHAFT SPRING	1	50	5506001	BACK PIN SHAFT	1
7	6005016	SWING ARM	1	51	5004073	RUBBER PLATE	1
8	6005027	ADJUSTING WASHER	2	52	6003004	BEAD BREAKER BLADE	1
9	5502048	HANDLE WHEEL	1	53	6000759	ROTATION SPINDLE	1
10	6005014	ROCKER VERTICAL SHAFT	1	54	5010091	WASHER 14	1
11	6010036	SHAFT WASHER	1	55	5010110	SCREWS M6X16	1
12	5004215	NUT M16	1	56	6008091	RUBBER COVER	1
13	5006041	BOLT M12X30	4	57	6003160	BEAD BREAKER BLADE	1
14	5010025	WASHER 12	4	58	5004103	RUBBER BLOCK	1
15	5010020	WASHER 12	4	59	5004094	CROWBAR	1
16	6003197	VERTICAL COLUMN	1	60	5004102	RUBBER FOOT	4
17	5002030	CIRCLIP 25	1	61	6004531	PROTECTIVE COVER	1
18	6010042	LOCK HANDLE	1	62	5010077	BOLT M8X20	5
19	6008091	RUBBER COVER	1	63	5004046	WASHER 8	5
20	5004023	SCREW M12X16	2	64	5000018	WASHER 8	5
21	5502044	PLASTIC COVER	1	65	5002060	NUT M8	3
22	6000303	DEMOUNTING HEAD-4	1	66	6000230	PEDAL ASEMBLY	1
23	5004201	PRESS WASHER	1	67	6000231	PEDAL	2
24	5010006	WASHER 10	1	68	6000236	EXT. SPRING, PEDAL	2
25	5004020	BOLT M10X25	1	69	6000233	BRACKET-VLVE, SWTCH	1
26	5004116	ROLLER BOLT	1	70	5010062	SCREW M8X70	1
27	5004117	ROLLER	1	71	6000241	SPRING-TRSN	1
28	5004021	SCREW M12X12	2	72	6000232	PEDAL A	1
29	5004115	SHOCK ABSORBER WASHER	1	73	5002060	NUT M8	2
30	6005018	DECORATING COVER	1	74	6000228	WASHER 12X0.5	2
31	5502053	HEXAGON LOCK PLATE	1	75	5010061	CIRCLIP 12X1	2
32	5502052	VERTICAL SHAFT SPRING	1	76	5000018	WASHER 8	4
33	5004221	WASHER 10	2	77	5010003	NUT M8	2
34	5010004	NUT M10	1	78	6000205	SPACER	1
35	5006001	NUT M10	2	79	6000237	FORK SPRING PLATE	1
36	5000034	SCREW M10X70	1	80	6000211	CAM	1
37	6004526	BODY	1	81	6000226	VALVE CONNECTING ROD	1
38	5004107	CABLE	1	82	5006006	SCREW M6X25	2
39	5006042	BOLT M5X16	1	83	5010063	SCREW M8X20	1
40	5010045	WASHER 5	2	84	6000217	CAM PLATE	1
41	5004093	GREASE CONTAINER	1	85	5010057	SCREW ST2.9X9.5	2
42	5004092	BRACKET	1	86	5010064	SCREW M10X25	1
43	6000358	BEAD BREAKING ARM ASSEMBLY	1	87	5004221	WASHER 10	3
44	6000359	BEAD BREAKING ARM	1	88	6000235	SWITCH CONNECT PLATE	1

89	5010235	SCREW M4X12	1	134	5004041	WASHER 10	4
90	5010122	WASHER 4	1	135	6000182	MOTOR SUPPORT	1
91	5000068	WASHER 4	1	136	5004005	WASHER 10	4
92	6000212	REVERSE LEVER 6	1	137	5010041	BOLT M10X50	4
93	5010043	NUT M10	1	138	5010043	NUT M10	4
94	5002059	SCREW M5X16-16	2	139	6000183	RUBBER WASHER	8
95	5004045	WASHER 5	2	140	6000184	MOTOR BELT PULLEY	1
96	5010045	WASHER 5	2	141	5010056	PLAIN KEY 6X36	1
97	6000243	SWITCH BASE LATE	1	142	5010232	SCREW M5X16	1
98	5010058	WASHER 6	8	143	5011008	NUT M5	1
99	5009015	SCREW M6X16	2	144	5010004	NUT M10	14
100	5010055	SWITCH	1	145	5502039	BELT A26	1
101	6000215	SWITCH COVER	1	146	5004221	WASHER 10	14
102	5010049	HOSE 8-5MM	1	147	6000351	GEARBOX ASSEMBLY	1
103	5000007	WASHER 6	8	148	6000353	GEARBOX UPPER COVER	1
104	6000244	VALVE A	1	149	6000356	GEARBOX BOTTOM COVER	1
105	5010068	PIN 4X20	1	150	6008910	WORM SHAFT	1
106	5004221	WASHER 10	1	151	6000273	WORM ROD	1
107	6000238	VALVE	1	152	6000275	BELT PULLEY	1
108	6000223	SPACER	5	153	6000276	WORM WHEEL	1
109	5010046	RING 13.8X4	6	154	6000274	SEALED RING	1
110	6000240	VALVE COVER	1	155	5000015	ROLLING BEARING 30205	2
111	5010057	SCREW ST2.9X9.5	3	156	5010002	ROLLING BEARING 6010	1
112	6000242	VALVE ROD	1	157	5010076	ROLLING BEARING 6208	1
113	5010040	WASHER 4	8	158	5010001	CIRCLIP 50	1
114	5004032	SCREW M6X20	4	159	5010081	WASHER 8	1
115	5010066	SCREW M4X30	2	160	5010077	BOLT M8X20	1
116	6000234	SHAFT-RTTN, PDL	1	161	5000055	WASHER 8	10
117	6000245	VALVE B	1	162	5004060	SCREW M8X30	5
118	6000238	VALVE	1	163	5010003	NUT M8	5
119	6000223	SPACER	5	164	5010078	SCREW M16X1.5X15	1
120	5010046	RING 13.8X4	6	165	5002086	PLAIN KEY 6X9X22	1
121	6000240	VALVE COVER	1	166	5010111	PLAIN KEY 12X55	1
122	5010057	SCREW ST2.9X9.5	3	167	5004006	BOLT M10X200	4
123	6000239	VALVE ROD	1	168	5004004	BOLT M10X160	2
124	5010067	NUT M4	2	169	5006044	PLAIN KEY 12×40	1
125	5010059	FITTING-TEE Φ8, R1/8"	1	170	5004005	WASHER 10	6
126	5002065	INSERT FITTING Φ8, R1/8"	2	171	6000020	BEAD BREAKER CYLINDER ASSY	1
127	5010047	MUFFLER Φ8 R1/8"	4	172	6000282	SHAFT-CLYNDR, 445	1
128	5004050	INSERT ELBOW Φ8, R1/8"	1	173	5010105	CIRCLIP 30	1
129	5010060	INSERT FITTING Φ6, R1/8"	2	174	5006006	SCREW M6X25	12
130	5000007	WASHER 6	4	175	5000007	WASHER 6	12
131	6004530	SIDE PANEL	1	176	5010204	GUIDER SPACER	1
132	6000180	MOTOR ASSEMBLY	1	177	5010203	Y-RING	1
133	6000181	MOTOR AC220V, 1.1kW, 50Hz	1	178	5004083	INSERT ELBOW Φ8, R1/4"	1

179	6000299	CYLINDER COVER	1	224	6000001	CYLINDER ASSEMBLY	2
180	5010097	O-RING 185X3.55	1	225	6000006	SHAFT-CLYNDR	1
181	5010202	Y-RING	2	226	6000007	SEAL-ROD, CYLNDR	1
182	6000279	PISTON	1	227	5010003	NUT M8	4
183	5010114	NUT M18X1.5	1	228	6000008	BEARING-SLIDE	1
184	6000280	CYLINDER BODY	1	229	6000004	FRONT COVER	1
185	5010042	NUT M6	12	230	6000009	HINGE ELBOW Φ 8	1
186	5004050	INSERT ELBOW Φ 8, R1/8"	1	231	5010021	RING 65X2.65	2
187	5509161	CLAMP RING	2	232	6000002	SLEEVE-CYLNDR 70	1
188	5509162	PISTION SUPPORT RING	1	233	5010020	WASHER 12	1
189	6000618	CLAMP RING	1	234	5010023	RING 11.8X2.65	1
190	5006040	SCREW M6X20	2	235	6000011	PISTON-W/WSHR, ASSY	1
191	5004031	SCREW M6X35	2	236	5000021	WASHER 12	1
192	5010058	WASHER 6	2	237	5010022	NUT M12	1
193	5009015	SCREW M6X16	4	238	6000003	REAR COVER	1
194	6010011	AIR REGULATOR BRACKET	1	239	6000010	HINGE TEE	1
195	5004220	SCREW M6X10	2	240	6000005	BOLT	4
196	5002041	SCREW M4X50	2	241	6000807	CONNECTION ROD	4
197	5004099	INFLAING HOSE	1	242	5010020	WASHER 12	12
198	5506003	AIR REGULATOR ASEMBLY	1	243	5010025	WASHER 12	8
199	5502059	TOP OF WATER CUP	1	244	5002053	NUT M12	8
200	5502061	TOP OF OIL CUP	1	245	5010099	BOLT M12X45	4
201	5502026	INSERT ELBOW R1/4" Φ 8	1	246	6000811	BOLT M12X60	4
202	5010108	SCREW M4X40	2	247	6003158	PANEL	4
203	5502062	OIL CUP	1	248	6003157	CLAMP	4
204	5502060	WATER CUP	1	249	5004032	SCREW M6X27	8
205	5006050	RING 29X2.65	2	250	5010213	NUT M6	8
206	5004081	PRESSURE GAUGE	1	251	6000619	ROTATING UNION	1
207	5004075	OPEN NUT	1	252	6000724	AIR GUIDE EXTERNAL COVER	1
208	5006051	TEE	1	253	6000725	AIR GUIDE ROTATION BUSHING	1
209	6003159	TURNTABLE ASSEMBLY	1	254	5010231	RING 60X2.65	3
210	5010032	SCREW M12X25	1	255	5010060	INSERT FITTING Φ 6, R1/8"	4
211	6000106	PRESS COVER	1	256	5002078	SCREW M3X6	4
212	6000800	LATERAL GUIDER	4	257	6003156	RUBBER PAD PLATE	1
213	6000108	PRESS PLATE	2	258	6003155	SCREW M8X55	3
214	5010030	CIRCLIP 65	1	259	5000018	WASHER 8	3
215	6000104	CONNECTION PLATE	4	260	5004071	CABLE LOCK M18X1.5	1
216	6000105	SQUARE TURNTABLE	1				
217	6000109	SPACER	4				
218	5010034	CIRCLIP 12	4				
219	6000103	CYLINDER BRACKET	2				
220	6000801	SLIDER	4				
221	6000803	HANDLE BALL	4				
222	6000804	BRACKET	4				
223	6000806	PLATE	1				