



**WEAVER**

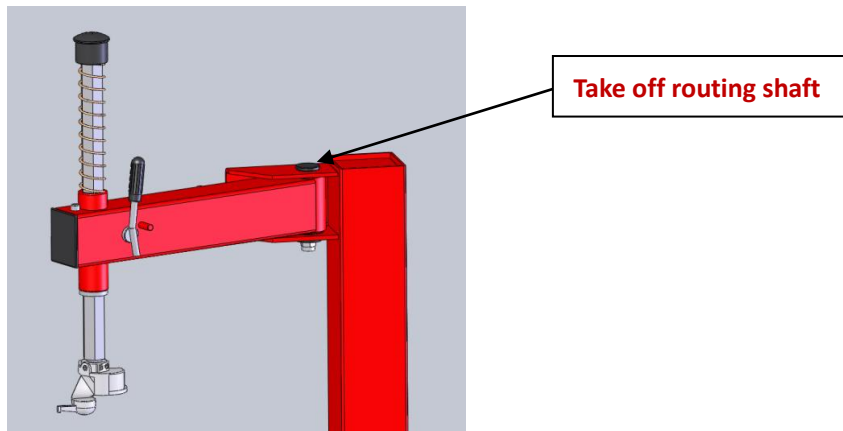
E Q U I P M E N T

**W-PL230 Assist Arm Assembly**

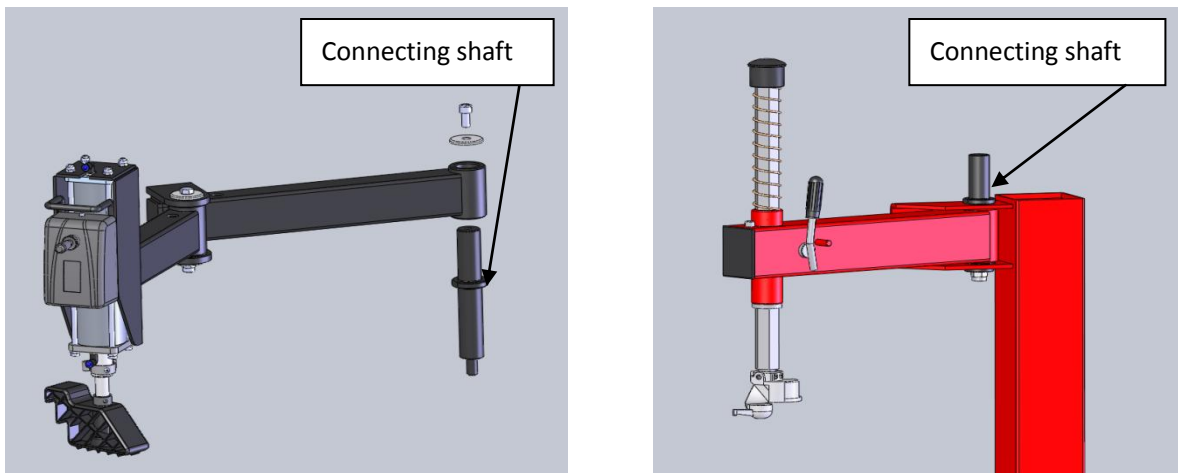
Please read this manual before operation

## PL230, HELP ASSEMBLE MANUAL

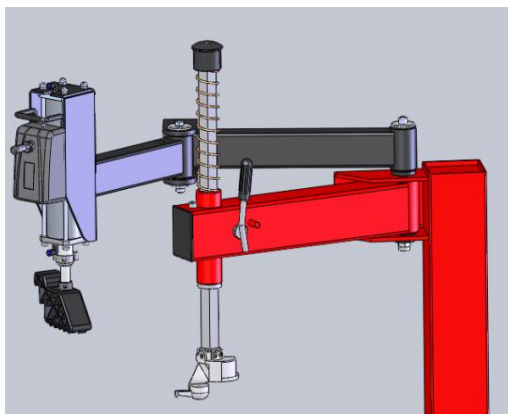
1. Take off the rotating shaft from the swing arm, As shown in figure 1.  
Figure 1.



2. Install the connecting shaft of help arm into machine, As shown in figure 2&3



3. Install help arm on the machine via the connecting shaft, fasten help arm on the machine with washers and screws. As shown in figure.



4. Connect the air route, now all is ok.