

W-PL240 Assist Arm Parts Manual 17



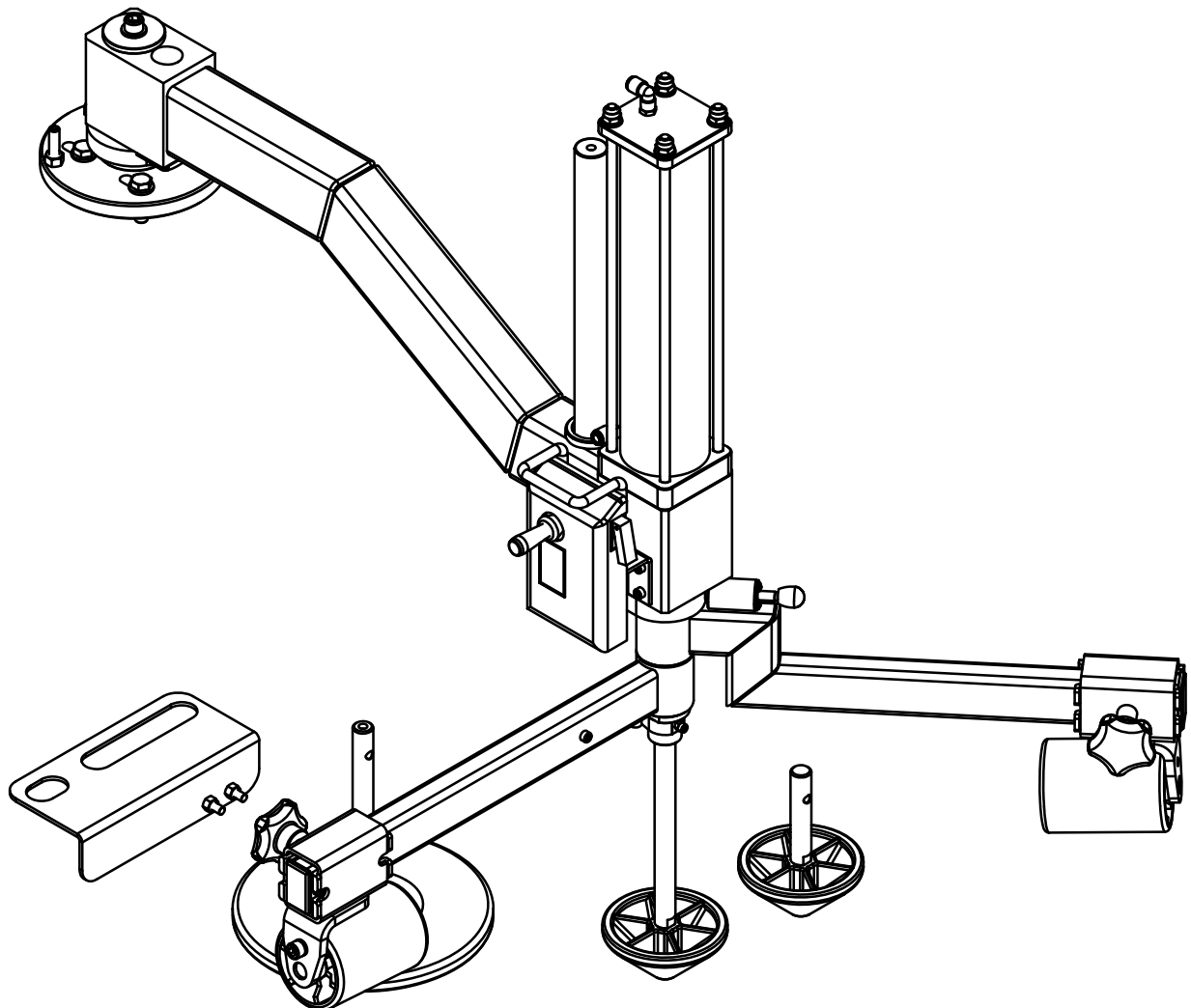
WEAVER

E Q U I P M E N T

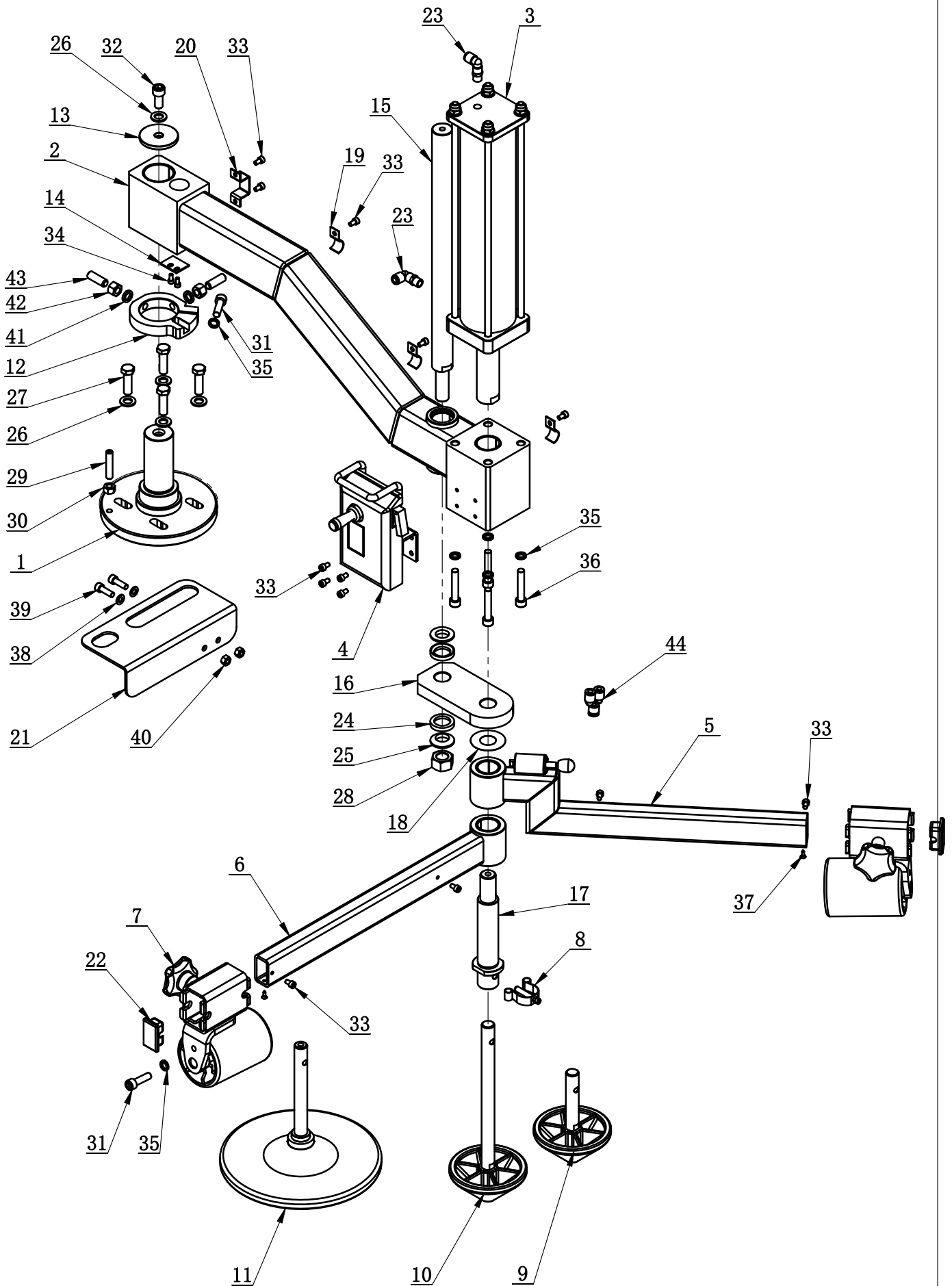
Please read this manual before operation

PL240

Spare parts list

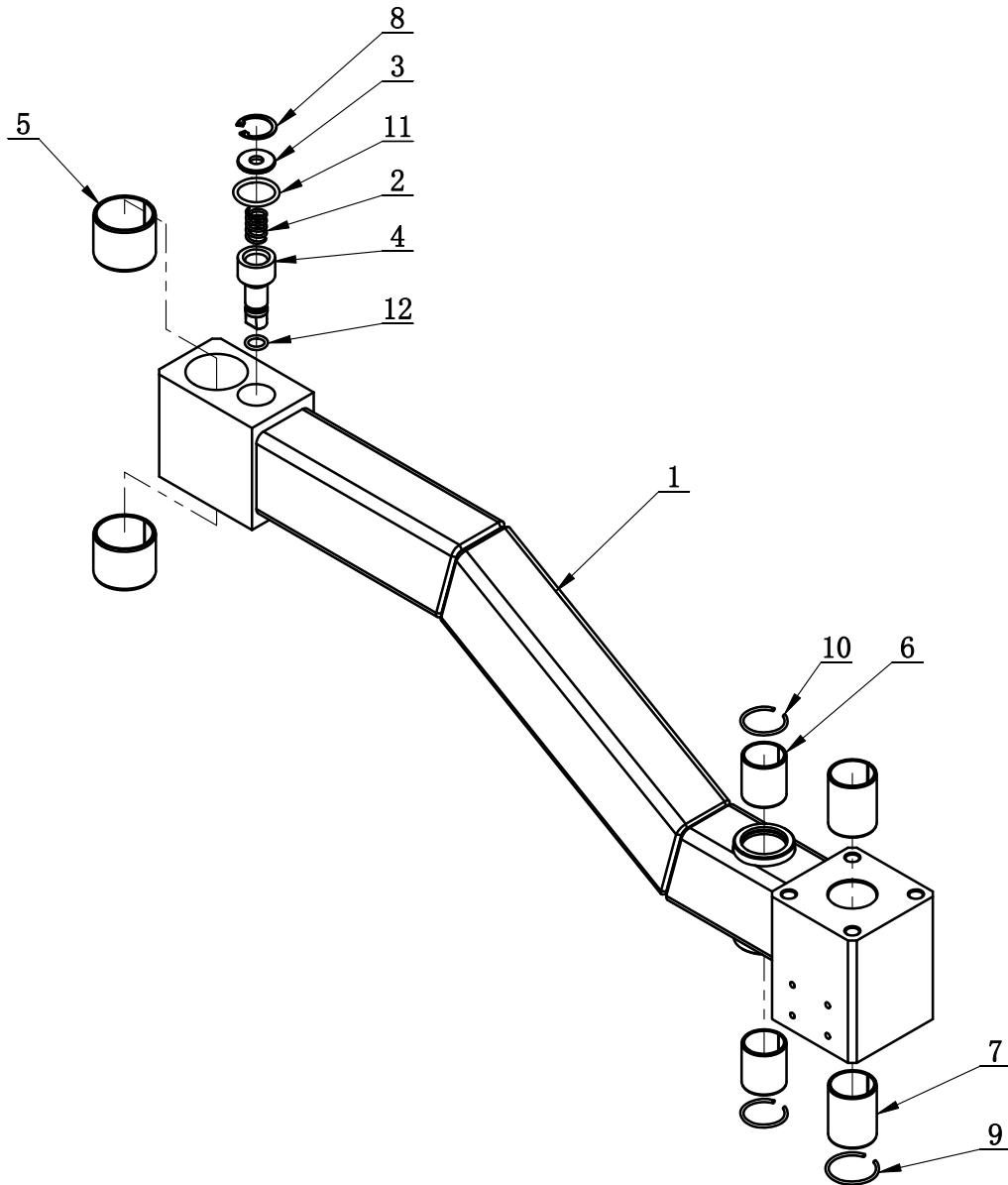


PL240



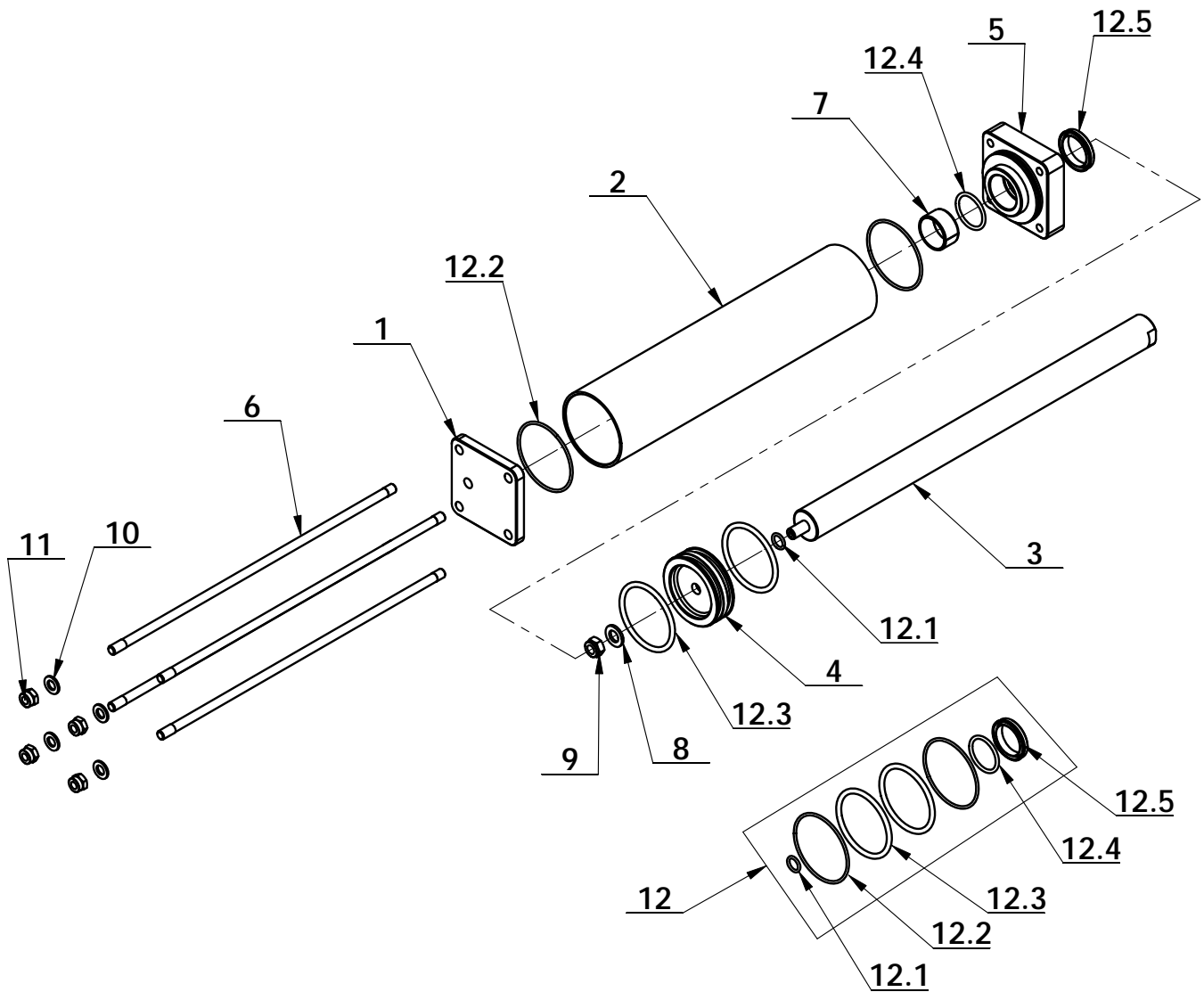
ITEM	PART. No	DESCRIPTION.	QT. Y
1	H-91-1200000	FIXED SUPPORT	1
2	H-90-1200000	ROTATION ARM	1
3	H-90-1300000	CYLINDER	1
4	H-90-1400000	HANDLE CONTROL VALVE	1
5	H-90-1500000	FIXED PRESS ARM	1
6	H-90-1600000	ROTATION PRESS ARM	1
7	H-91-1300000	PRESS ROLLER	2
8	H-90-1800000	ADJUSTABLE PIN	1
9	H-90-1900000	SHORT CENTRING ROD	1
10	H-90-1A00000	LONG CENTRING ROD	1
11	H-90-1B00000	ROUND PLATE	1
12	H-90-1000001	LOCK PLATE	1
13	H-90-1000002	WASHER	1
14	H-90-1000003	GUIDE PLATE	1
15	H-90-1000004	GUIDE ROD	1
16	H-90-1000005	CONNECT BOARD	1
17	H-90-1000006	PISTON ROD	1
18	H-90-1000007	ADJUSTABLE WASHER	1
19	H-90-1000008	HOSE CLIP	3
20	H-90-1000009	PROTECTIVE BRACKET	1
21	H-90-1000010	ACCESSORY BRACKET	1
22	H-40-1000019	SEALING HEAD	2
23	FPL 8-02	INSERT ELBOW $\Phi 8$, R1/4	2
24	GB850-20	CONIC WASHER	2
25	GB849-20	SPHERICAL WASHER	2
26	GB95-12	FLAT WASHER	5
27	GB5783-M12 \times 40	HEXANGULAR BOLT	4
28	GB6171-M20 \times 1.5	1-TYPE HEXA NUT	1
29	GB77-M10 \times 50	INNER HEXA FLAT TERMINUS SET SCREW	1
30	GB41-M10	HEXANGULAR NUT	1
31	GB70.1-M10 \times 35	INNER HEXA CYLINDRICAL SCREW	2
32	GB70.1-M12 \times 25	INNER HEXA CYLINDRICAL SCREW	1
33	GB70.1-M6 \times 10	INNER HEXA CYLINDRICAL SCREW	13
34	GB70.1-M5 \times 10	INNER HEXA CYLINDRICAL SCREW	2
35	GB93-10	STANDARD SPRING WASHER	6
36	GB70.1-M10 \times 55	INNER HEXA CYLINDRICAL SCREW	4
37	GB846-ST3.5 \times 13 H C	CROSS COUNTERSUNK TAPPING SCREW	2
38	GB95-8	FLAT WASHER	2
39	GB70.1-M8 \times 25	INNER HEXA CYLINDRICAL SCREW	2
40	GB41-M8	HEXANGULAR NUT	2
41	GB93-12	STANDARD SPRING WASHER	2
42	GB41-M12	HEXANGULAR NUT	2
43	GB77-M12 \times 35	INNER HEXA FLAT TERMINUS SET SCREW	2
44	FPY-8	UNION Y	1

H-90-1200000



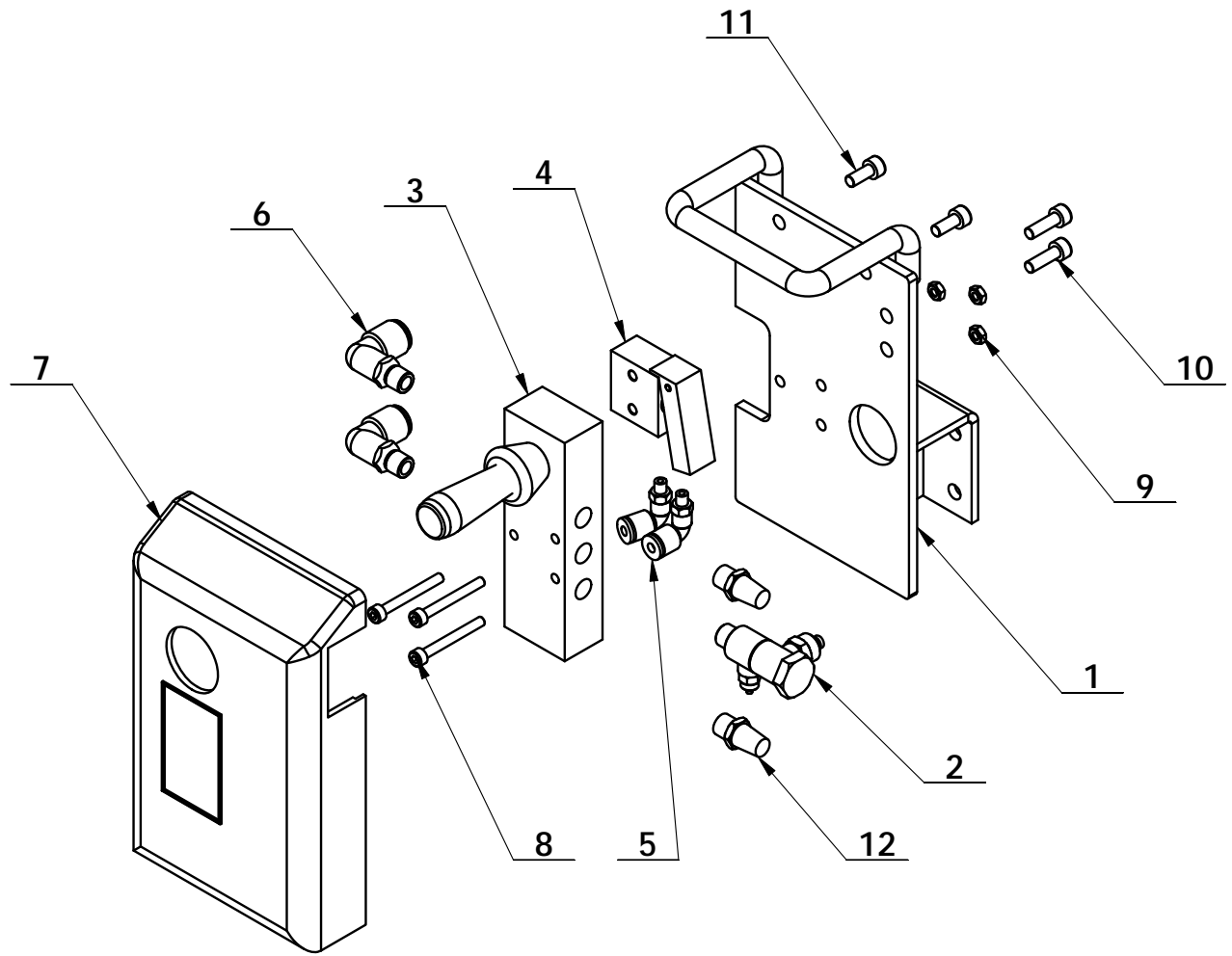
ITEM	PART. No	DESCRIPTION.	QT. Y
1	H-90-1210000	ROTATION ARM WELDING	1
2	H-40-1800002	SPRING	1
3	H-40-1800003	WASHER	1
4	H-90-1200001	PLUNGER PIN	1
5	H-90-1200002	BEARING 50×45×40	2
6	H-90-1200003	BEARING 36×32×40	2
7	H-90-1200004	BEARING 39×35×50	2
8	GB893. 2-30	ELASTIC RETAINING RING B-TYPE	1
9	GB895. 1-40	STEEL WIRE RETAINING RING	1
10	GB895. 1-35	STEEL WIRE RETAINING RING	2
11	GB3452. 1-30×3. 55-G	HYDRAULIC-PNEUMATIC RUBBER O-RING G TYPE	1
12	GB3452. 1-13. 2×2. 65-G	HYDRAULIC-PNEUMATIC RUBBER O-RING G TYPE	1
13	FPL 4-M5	MALE ELBOW	1

H-90-1300000



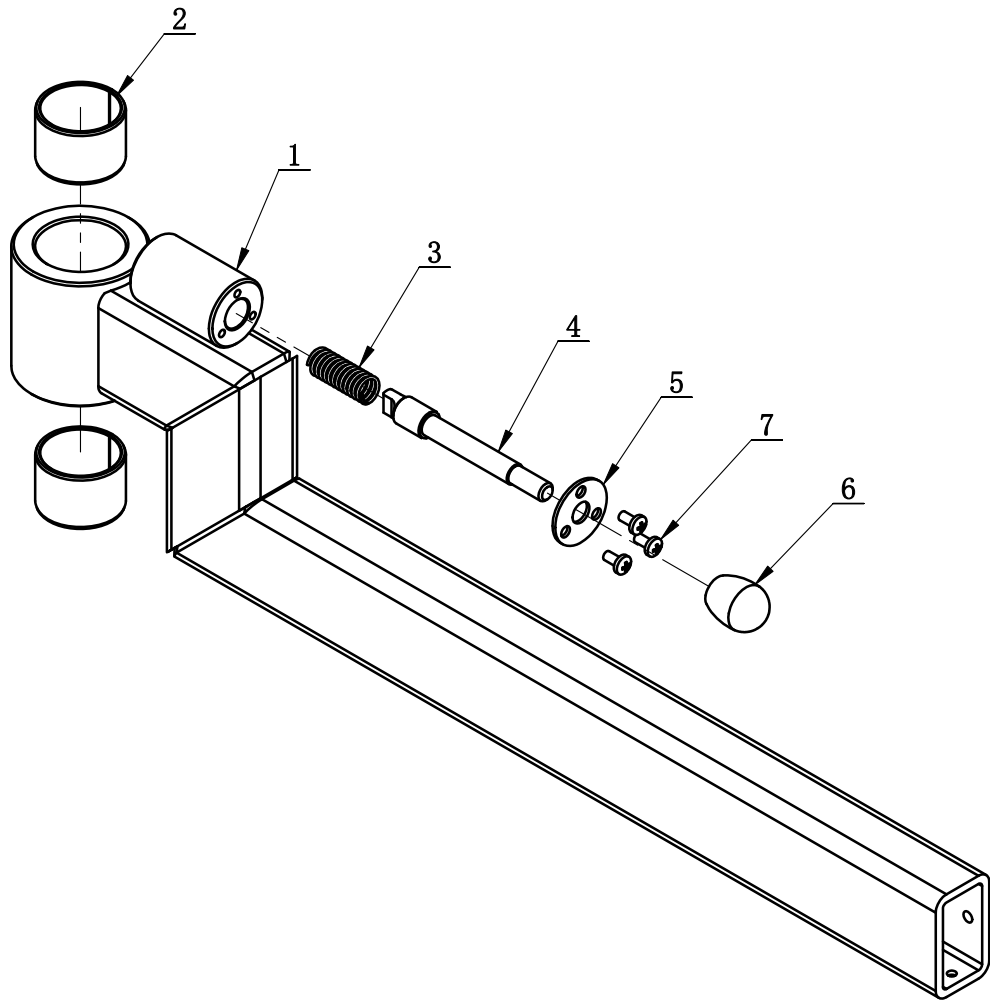
ITEM	PART. No	DESCRIPTION.	QT. Y
1	H-90-1300001	CAP-BASE, CYLNDR	1
2	H-90-1300002	CYLINDER HOUSING	1
3	H-90-1300003	PISTON ROD	1
4	H-90-1300004	PISTON	1
5	H-90-1300005	CAP-BEHIND, CYLINDER	1
6	H-90-1300006	SCREW	4
7	H-90-1300007	BEARING	1
8	GB95-12	FLAT WASHER	1
9	GB889.1-M12	1- TYPE PREVAILING TORQUE TYPE HEXAGON LOCK NUT	1
10	GB95-10	FLAT WASHER	4
11	GB889.1-M10	1-TYPE PREVAILING TORQUE TYPE HEXAGON LOCK NUT	4
12	H-90-1310000	CYLINDER SEALING PARTS ASSEMBLY	1
12.1	GB3452.1-13.2×2.65-G	HYDRAULIC-PNEUMATIC RUBBER O-RING G TYPE	1
12.2	GB3452.1-75×2.65-G	HYDRAULIC-PNEUMATIC RUBBER O-RING G TYPE	2
12.3	GB3452.1-69×5.3-G	HYDRAULIC-PNEUMATIC RUBBER O-RING G TYPE	2
12.4	GB3452.1-35.5×3.55-G	HYDRAULIC-PNEUMATIC RUBBER O-RING G TYPE	1
12.5	H-90-1300008	SEALING RING	1

H-90-1400000



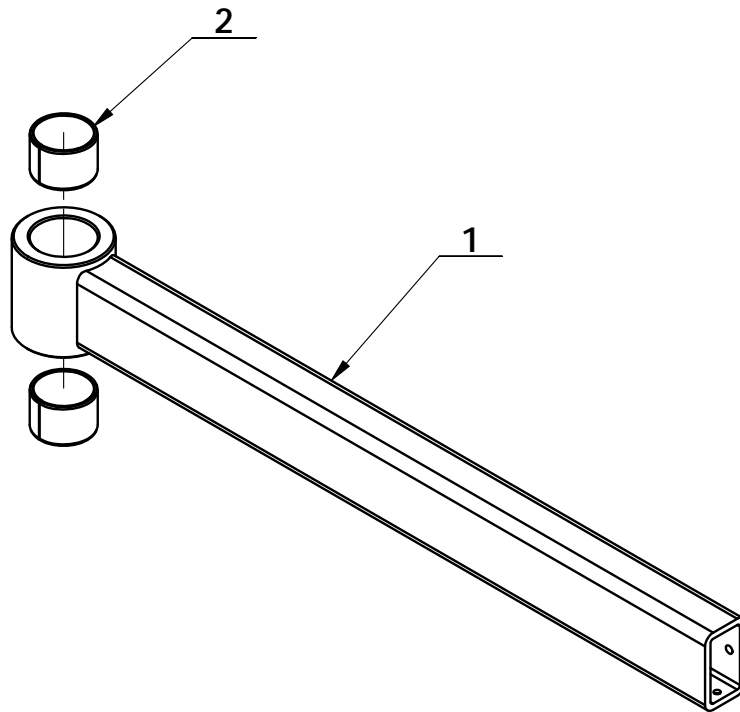
ITEM	PART. No	DESCRIPTION.	QT. Y
1	H-90-1410000	VALVE SUPPORT WELDING	1
2	H-90-1400001	DOUBLE HINGE TEE R1-8 $\Phi 8$, $\Phi 4$	1
3	H-40-1800005	CONTROL VALVE	1
4	H-40-1800006	VALVE	1
5	FPL 4-M5	MALE ELBOW	2
6	FPL8-01	INSERT ELBOW $\Phi 8$, R1/8	2
7	H-40-1800008	CONTROL BOX COVER	1
8	GB70. 1-M4 \times 35	INNER HEXA CYLINDRICAL SCREW	3
9	GB6170-M4	HEXANGULAR NUT 1-TYPE	3
10	GB70. 1-M5 \times 16	INNER HEXA CYLINDRICAL SCREW	2
11	GB70. 1-M5 \times 12	INNER HEXA CYLINDRICAL SCREW	2
12	FSL-01	SILENCER	2

H-90-1500000



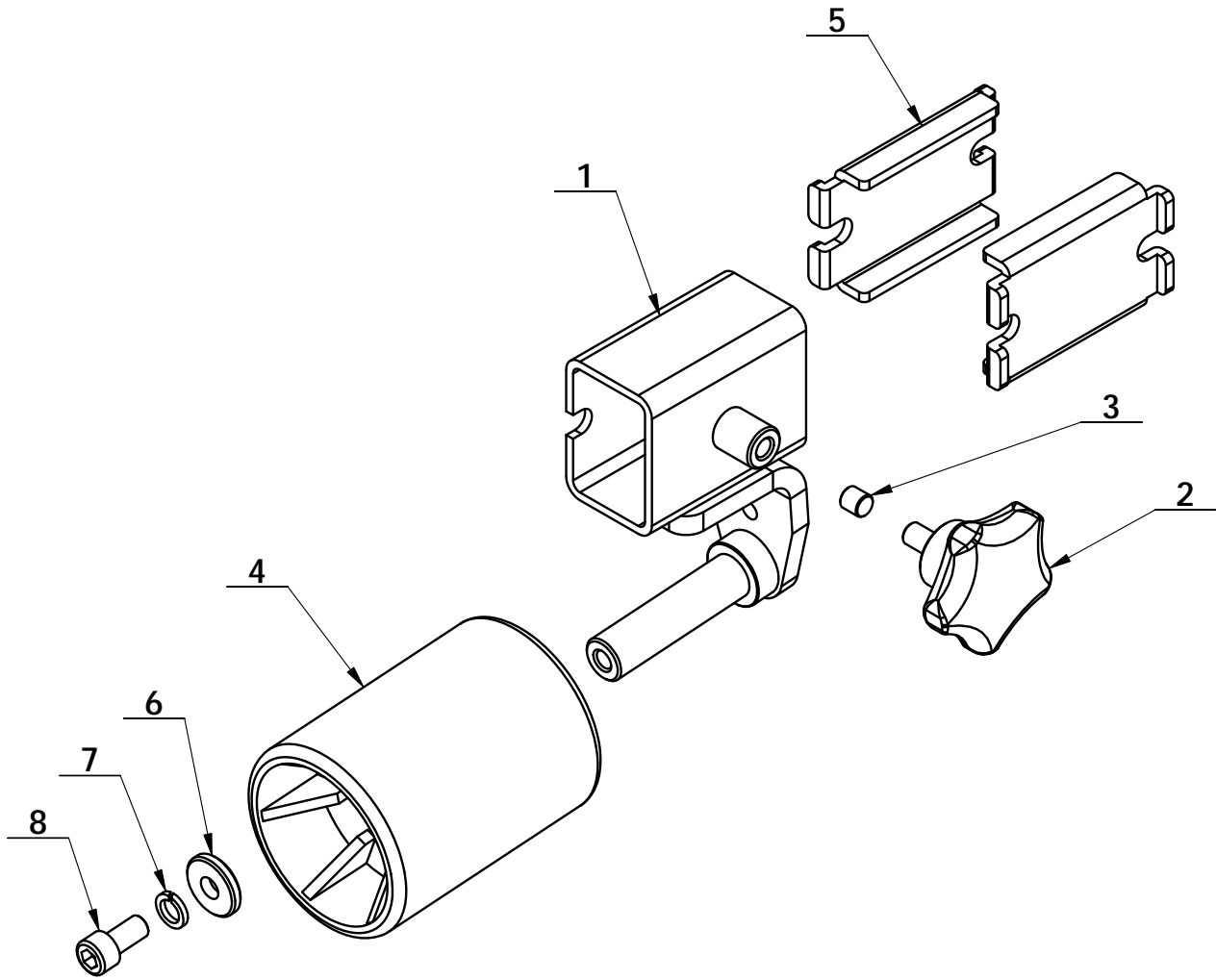
ITEM	PART. No	DESCRIPTION.	QT. Y
1	H-90-1510000	PRESS ARM WELDING	1
2	H-90-1500001	BEARING 36×32×25	2
3	H-90-1500002	SPRING	1
4	H-90-1500006	PIN SHAFT	1
5	H-90-1500004	COVER PLATE	1
6	JB / T7271. 4-94-M8-B	HANDLE BALL	1
7	GB818-M4×8-H	CROSS PANHEAD SCREW	3

H-90-1600000



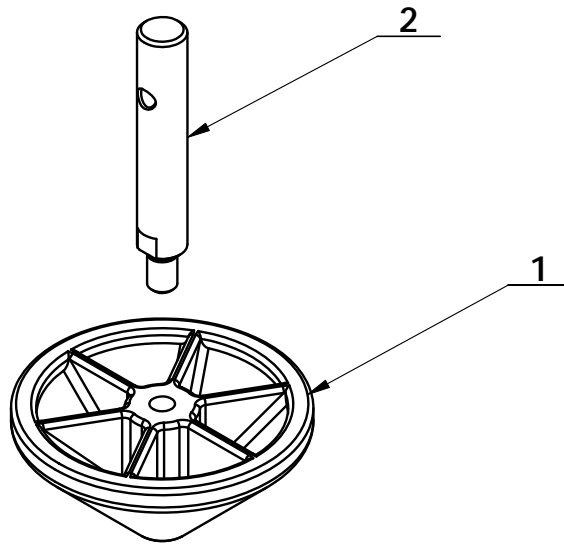
ITEM	PART. No	DESCRIPTION.	QT. Y
1	H-90-1610000	ROTATION PRESS ARM WELDING	1
2	H-90-1500001	BEARING 36×32×25	2

H-91-1300000



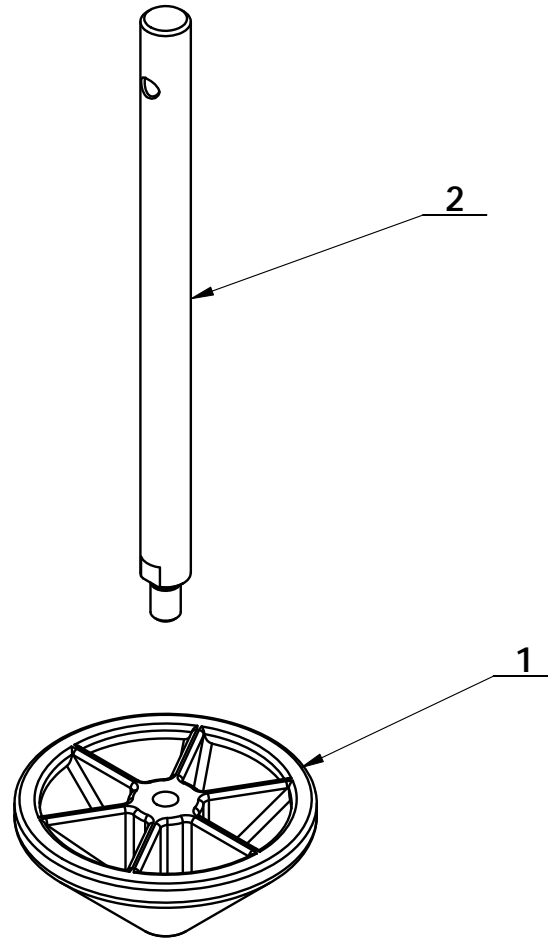
ITEM	PART. No	DESCRIPTION.	QT. Y
1	H-91-1310000	PRESS ROLLER BRACKET WELDING	1
2	H-80-1000013	THE STAR HANDLE M10-20	1
3	H-90-1700001	NYLON ROD	1
4	H-40-1E00001	LARGE PRESS ROLLER	1
5	H-91-1300001	NYLON PLATE	2
6	H-30-1000004	CONE ROLLER WASHER	1
7	GB93-10	STANDARD SPRING WASHER	1
8	GB70. 1-M10×20	INNER HEXA CYLINDRICAL SCREW	1

H-90-1900000



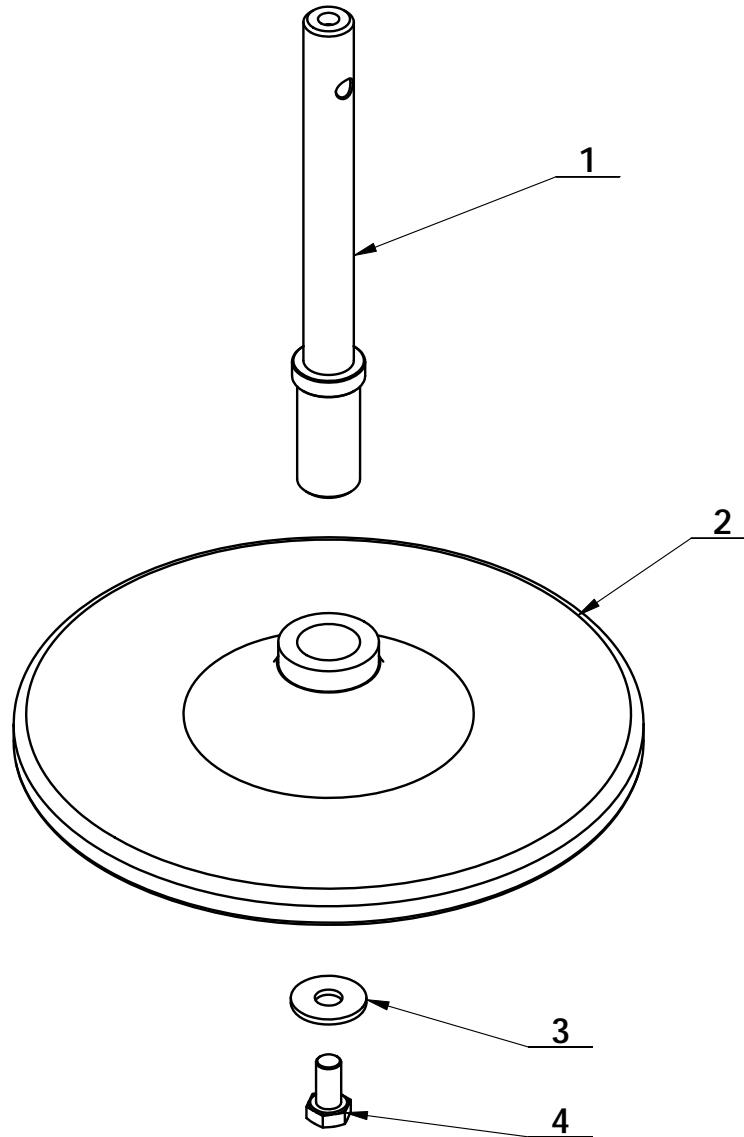
ITEM	PART. No	DESCRIPTION.	QT. Y
1	H-10-1000010	CONE BLOCK	1
2	H-90-1900001	SHORT ROD	1

H-90-1A00000



ITEM	PART. No	DESCRIPTION.	QT. Y
1	H-10-1000010	CONE BLOCK	1
2	H-90-1A00001	LONG ROD	1

H-90-1B00000



ITEM	PART. No	DESCRIPTION.	QT. Y
1	H-90-1B00001	CONNECTING ROD	1
2	H-10-1000011	TURNTABLE	1
3	GB96. 2-10	LARGE WASHER C GRADE	1
4	GB5783-M10×20	HEXANGULAR BOLT	1