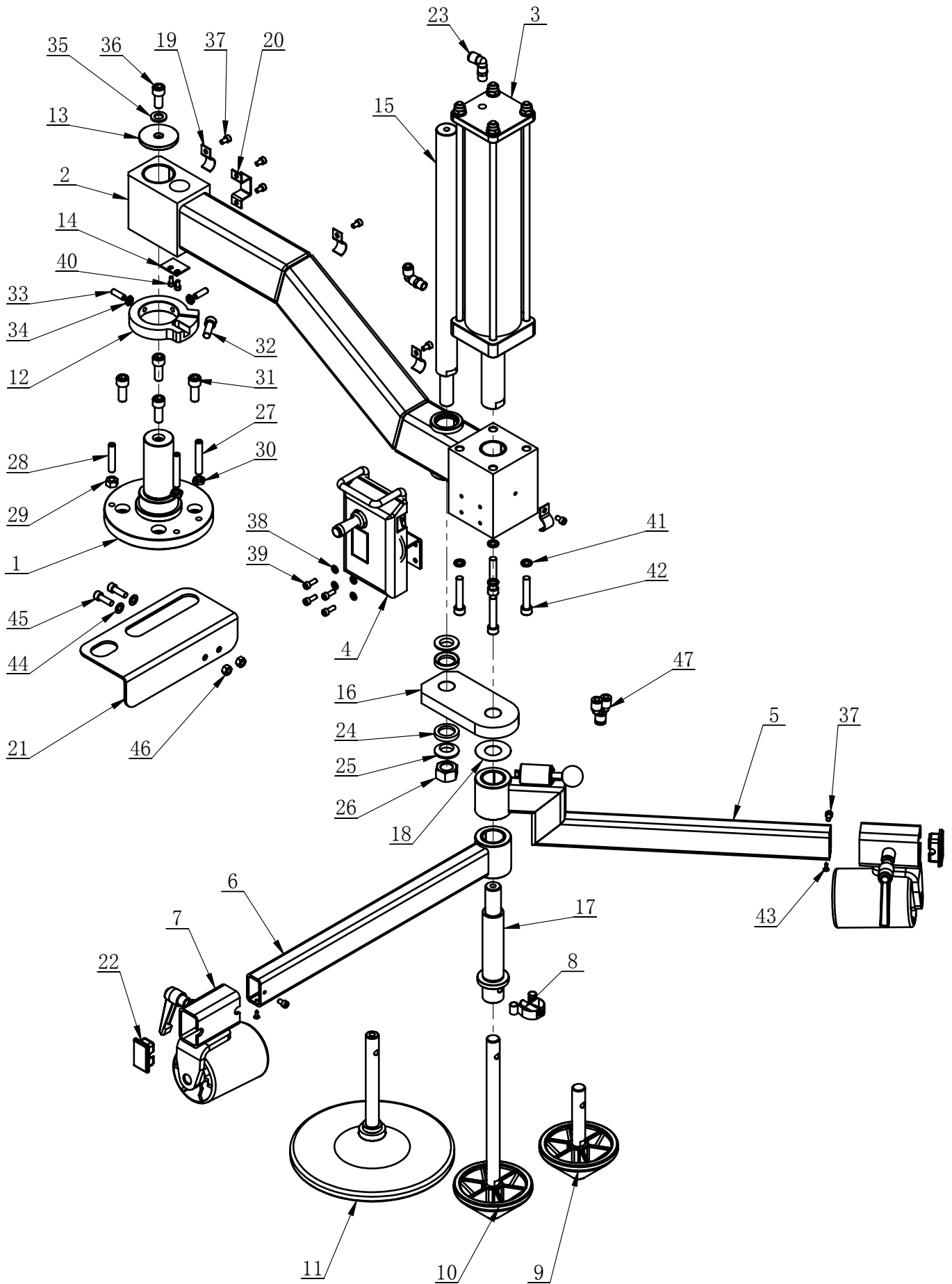


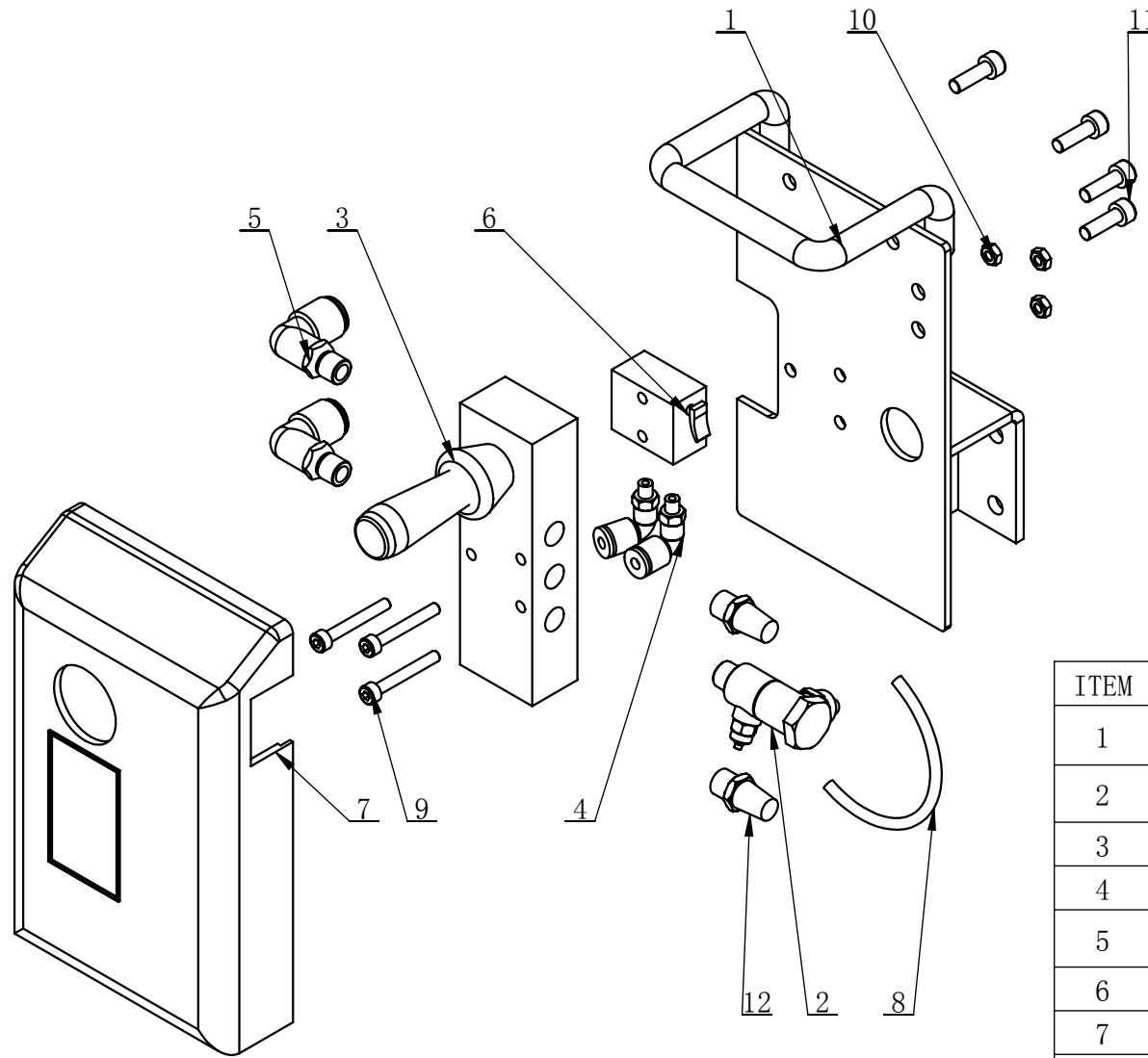
Exploded Drawing

Weaver W-PL240

Parts Manual

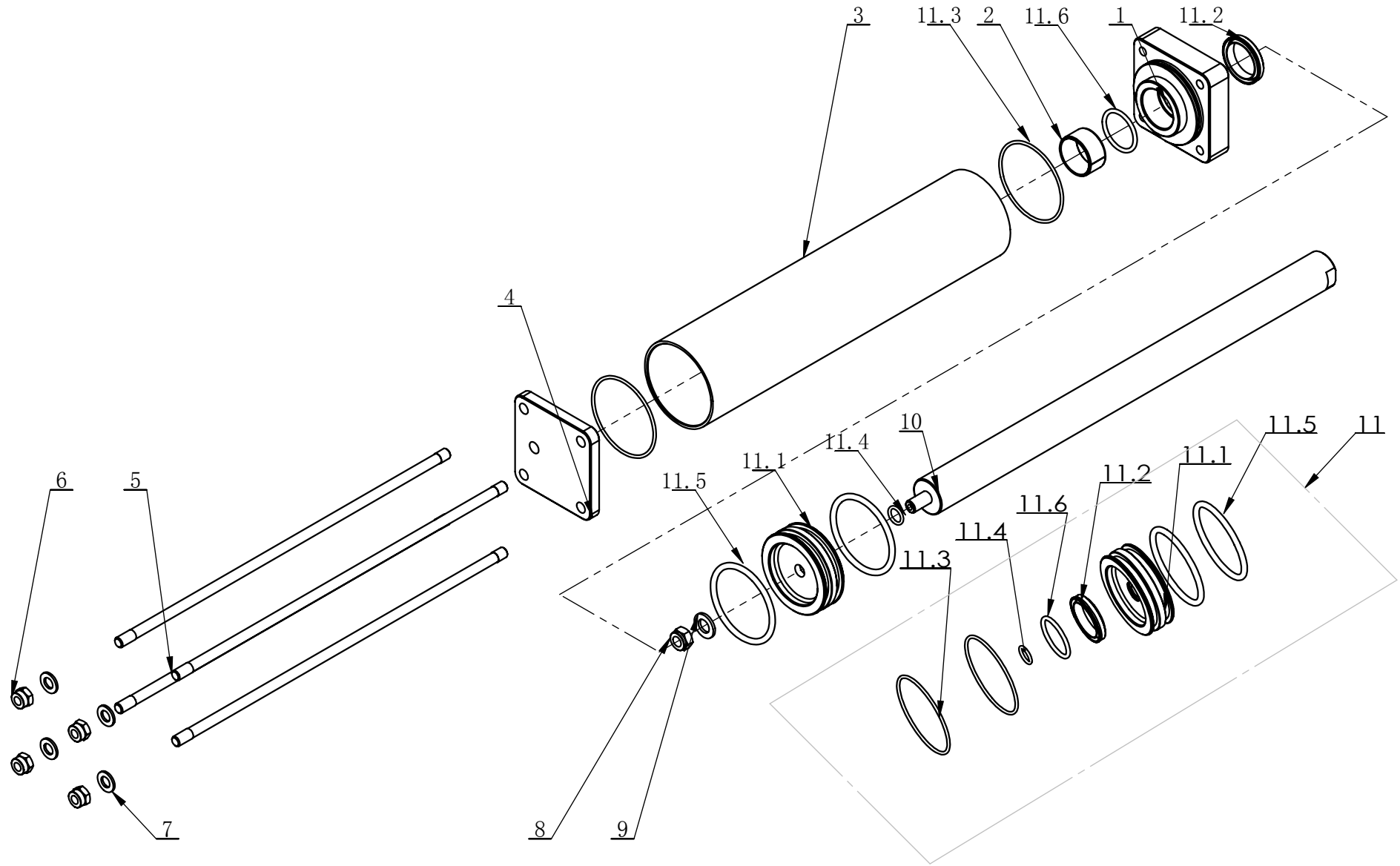


ITEM	PART. NO	DESCRIPTION	QT. Y
1	H-90-1100000	FIXED BASE WELDING	1
2	H-90-1200000	ROTATING ARM	1
3	H-90-1300000	CYLINDER	1
4	H-90-1400000	HAND CONTROL VALVE	1
5	H-90-1500000	FIXED PRESSURE ARM	1
6	H-90-1600000	ROTARY PRESSURE TIRE ARM	1
7	H-90-1700000	PRESSURE TIER ROLLER	2
8	H-90-1800000	ADJUSTING PIN	1
9	H-90-1900000	SHORT CENTERING MOVE	1
10	H-90-1A00000	LONG CENTERING MOVE	1
11	H-90-1B00000	PRY THE PLACENTA	1
12	H-90-1000001	LOCKING BLOCK	1
13	H-90-1000002	BIG WASHER	1
14	H-90-1000003	GUIDE PLATE	1
15	H-90-1000004	GUIDE ROD	1
16	H-90-1000005	THE LOWER CNNECTION PLATE	1
17	H-90-1000006	PRESSURE TIRE ARM SHAFT	1
18	H-90-1000007	ADJUSTING GASKET	1
19	H-90-1000008	PIPE CLIP	4
20	H-90-1000009	PROTECTION FRAME	1
21	H-90-1000010	ATTACHMENT FRAME	1
22	H-40-1000019	SEALING HEAD	2
23	FPL 8-02	INSERT ELBOW $\Phi 8$, R1/4	2
24	GB850-20	CONIC WASHER	2
25	GB849-20	SPHERICAL WASHER	2
26	GB6171-M20 \times 1.5	1-TYPE HEXA NUT	1
27	GB77-M10 \times 60	INNER HEXA FLAT TERMINUS SET SCREW	2
28	GB77-M10 \times 50	INNER HEXA FLAT TERMINUS SET SCREW	1
29	GB41-M10	HEXANGULAR NUT	1
30	GB6172.1-M10	HEXANGULAR THIN NUT	2
31	GB70.1-M12 \times 30	INNER HEXA CYLINDRICAL SCREW	4
32	GB70.1-M10 \times 30	INNER HEXA CYLINDRICAL SCREW	1
33	GB77-M8 \times 25	INNER HEXA FLAT TERMINUS SET SCREW	2
34	GB6172.1-M8	HEXANGULAR THIN NUT	2
35	GB95-12	FLAT WASHER	1
36	GB70.1-M12 \times 25	INNER HEXA CYLINDRICAL SCREW	1
37	GB70.1-M6 \times 10	INNER HEXA CYLINDRICAL SCREW	8
38	GB95-6	FLAT WASHER	4
39	GB70.1-M6 \times 16	INNER HEXA CYLINDRICAL SCREW	4
40	GB70.1-M5 \times 10	INNER HEXA CYLINDRICAL SCREW	2
41	GB93-10	STANDARD SPRING WASHER	4
42	GB70.1-M10 \times 55	INNER HEXA CYLINDRICAL SCREW	4
43	GB846-ST3.5 \times 13 H C	CROSS COUNTERSUNK TAPPING SCREW	2
44	GB95-8	FLAT WASHER	2
45	GB70.1-M8 \times 25	INNER HEXA CYLINDRICAL SCREW	2
46	GB41-M8	HEXANGULAR NUT	2
47	FPY-8	Y-SHAPE INSERT FITTING $\Phi 8$	1



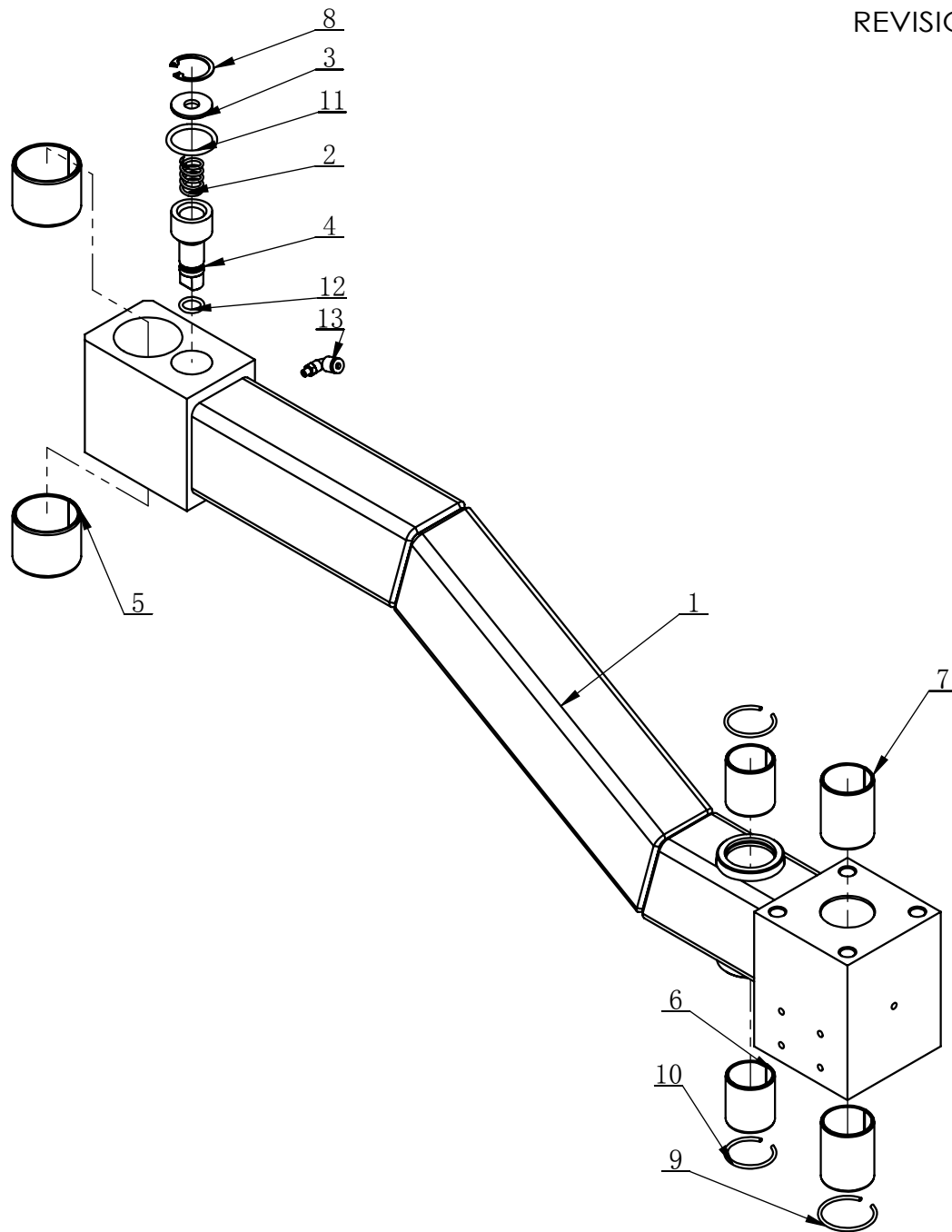
ITEM	PART. NO	DESCRIPTION	QT. Y
1	H-90-1410000	HAND CONTROL VALVE SEAT WELDING	1
2	H-90-1400001	DOUBLE HINGE TEE R1-8 Φ8 , Φ4	1
3	H-40-1800005	CONTROL VALVE	1
4	FPL 4-M5	MALE ELBOW	2
5	FPL8-01	INSERT ELBOW Φ8, R1/8	2
6	H-40-1800006	VALVE	1
7	H-40-1800004	CONTROL BOX COVER	1
8	PU-0400110	φ 4PU	1
9	GB70. 1- M4×30	INNER HEXA CYLINDRICAL SCREW	3
10	GB6170-M4	HEXANGULAR NUT 1-TYPE	3
11	GB70. 1- M5×16	INNER HEXA CYLINDRICAL SCREW	4
12	BSL-01	MUFFLER	2

REVISION A-01

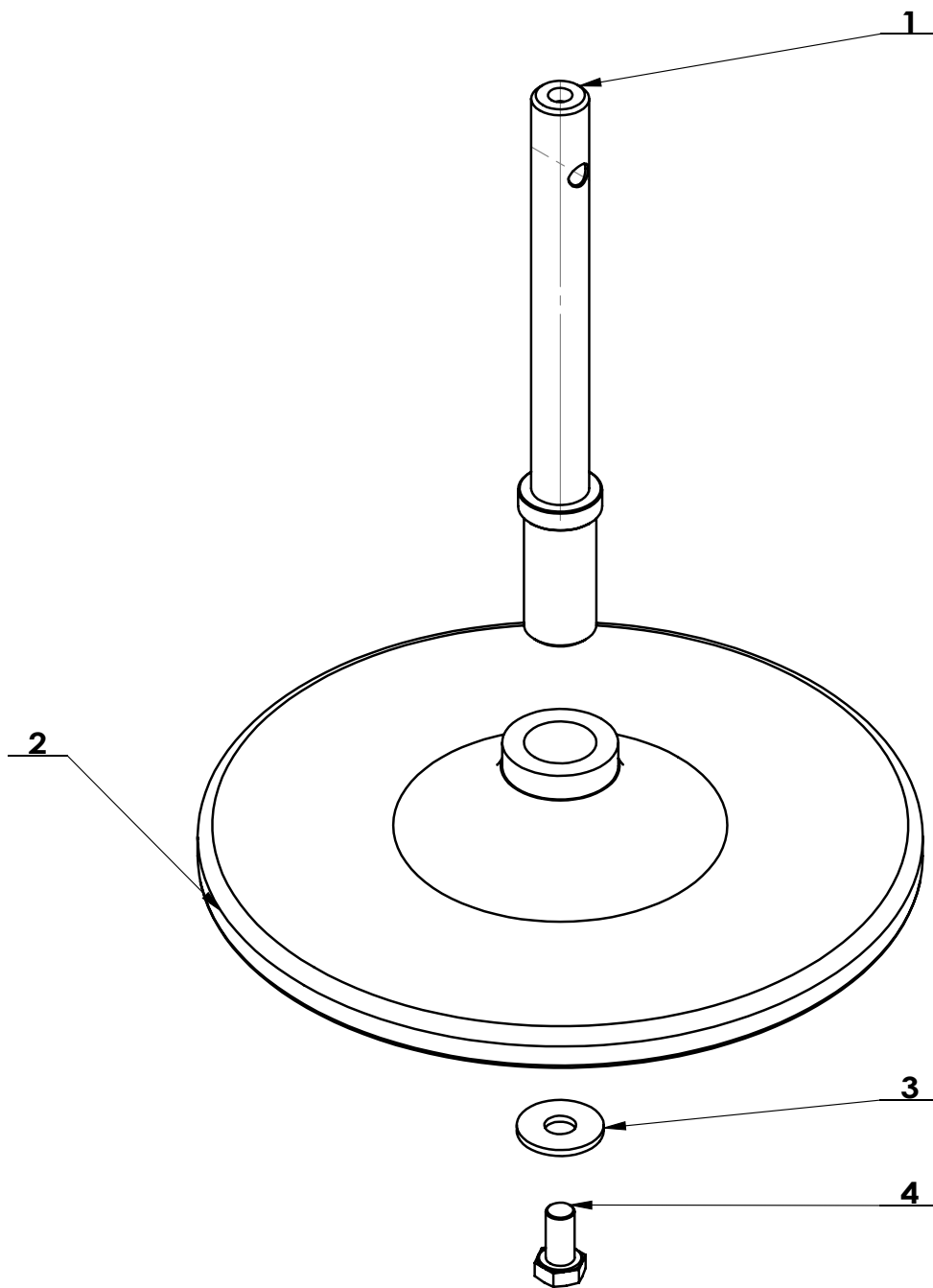


H-90-1300000

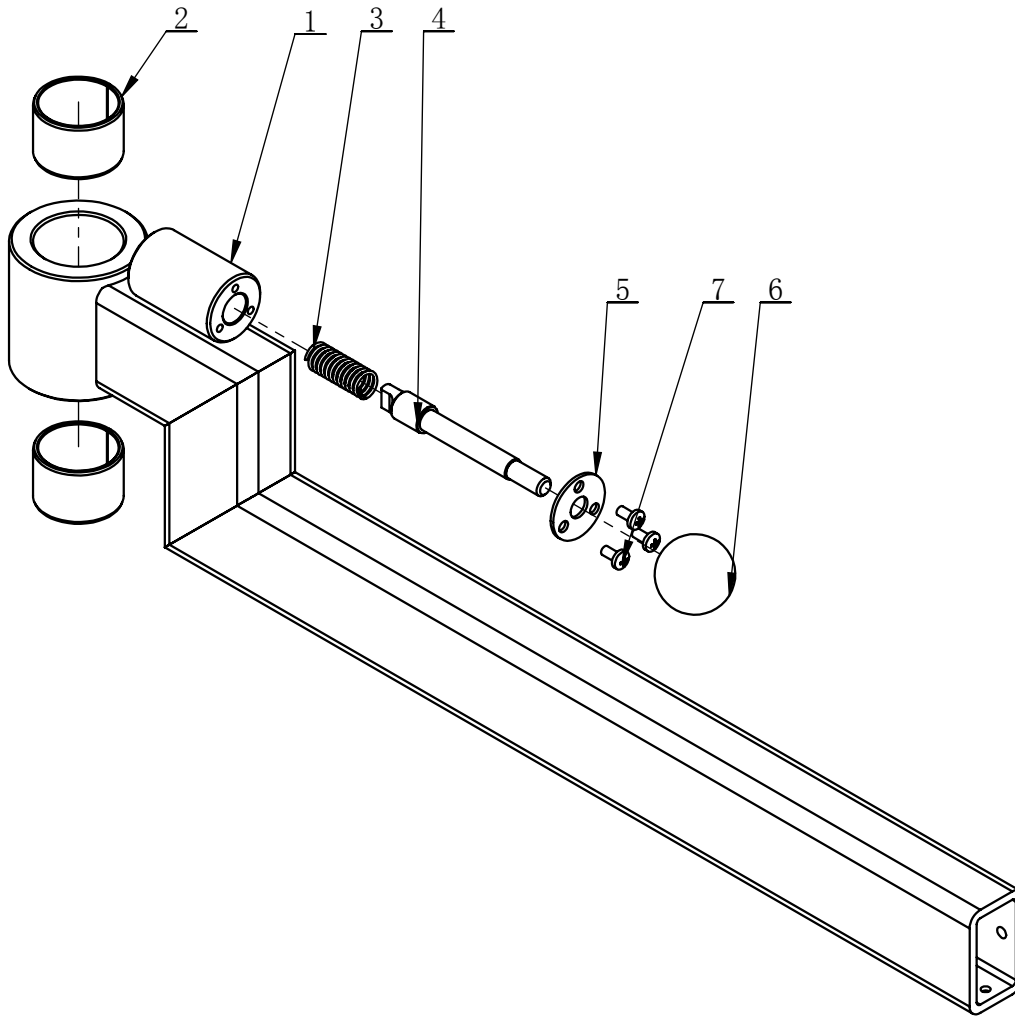
ITEM	PART. NO	DESCRIPTION	QT. Y
1	H-90-1300005	CYLINDER FRONT COVER	1
2	H-90-1300007	ROLLING BEARING39x35x20	1
3	H-90-1300002	CYLINDER HOUSING	1
4	H-90-1300001	CAP-BASE, CYLNDR	1
5	H-90-1300006	SCREW	4
6	GB889.1-M10	1-TYPE PREVAILING TORQUE TYPE HEXAGON LOCK NUT	4
7	GB95-10	FLAT WASHER	4
8	GB889.1-M12	1-type prevailing torque type hexagon lock nut	1
9	GB95-12	FLAT WASHER	1
10	H-90-1300003	PISTON ROD	1
11.1	H-90-1300004	PISTON	1
11.2	H-90-1300008	DUST SEAL	1
11.3	GB3452.1-75×2.65-G	HYDRAULIC-PNEUMATIC RUBBER O-RING G TYPE	2
11.4	GB3452.1-13.2×2.65-G	HYDRAULIC-PNEUMATIC RUBBER O-RING G TYPE	1
11.5	GB3452.1-69×5.3-G	HYDRAULIC-PNEUMATIC RUBBER O-RING G TYPE	2
11.6	GB3452.1-35.5×3.55-G	HYDRAULIC-PNEUMATIC RUBBER O-RING G TYPE	1
17	H-90-1310000	SEAL ASSEMBLY	1



ITEM	PART. NO	DESCRIPTION	QT. Y
1	H-90-1210000	ROTAING ARM WELDING	1
2	H-40-1800002	SPRING	1
3	H-40-1800003	WASHER	1
4	H-90-1200001	PISTION PIN	1
5	H-90-1200002	ROLLING BEARING50x45x40	2
6	H-90-1200003	ROLLING BEARING36x32x40	2
7	H-90-1200004	ROLLING BEARING39x35x50	2
8	GB893. 2-30	ELASTIC RETAINING RING B-TYPE	1
9	GB895. 1-40	STEEL WIRE RETAINING RING	1
10	GB895. 1-35	STEEL WIRE RETAINING RING	2
11	GB3452. 1-30×3. 55-G	HYDRAULIC-PNEUMATIC RUBBER O-RING G TYPE	1
12	GB3452. 1-13. 2×2. 65-G	HYDRAULIC-PNEUMATIC RUBBER O-RING G TYPE	1
13	FPL 4-M5	MALE ELBOW	1



ITEM	PART. NO	DESCRIPTION	QT. Y
1	H-90-1B00001	HOOD ROD	1
2	H-10-1000011	TURNTABLE	1
3	GB96. 2-10	LARGE WASHER C GRADE	1
4	GB5783-M10×20	HEXANGULAR BOLT	1



ITEM	PART. NO	DESCRIPTION	QT. Y
1	H-90-1510000	PRESSURE TIRE ARMWELDING	1
2	H-90-1500001	ROLLING BEARING	2
3	H-90-1500002	PRESSURE SPRING	1
4	H-90-1500003	PIN SHAFT	1
5	H-90-1500004	MOUNT	1
6	H-90-1500005	HANDLE BALL	1
7	GB818-M4×8-H	CROSS PANHEAD SCREW	3