



**WEAVER**

E Q U I P M E N T

**TX-1000 Motorcycle Lift**

Please read this manual before operation

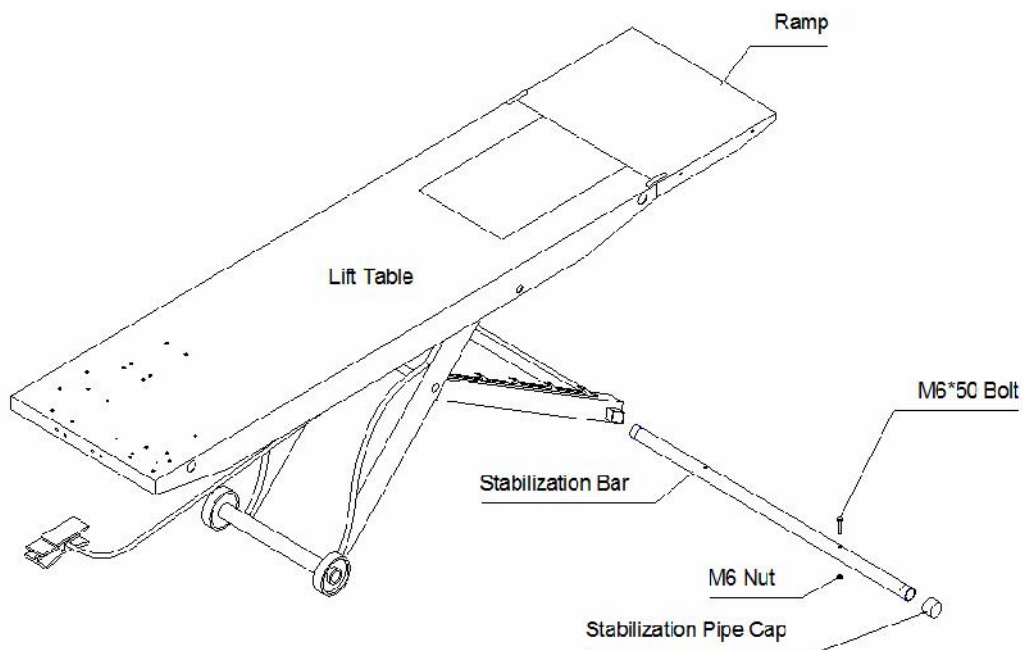
# WEAVER

## LIFT



### INSTRUCTIONS ● PARTS DRAWING ● PARTS LIST

**WARNING: READ INSRUCTIONS BEFORE OPERATING**



1. Center load on table – 1000 lb. maximum.
2. Connect to 100 psi maximum shop air.
3. Keep safety bar in position at all times – except when lowering.
4. Keep hands and tools from under carriage.
5. Do not mount table when in elevated position.
6. Do not ride vehicle onto lift.
7. Lift must be in the lowered position when moving.
8. Only trained persons should operate Air Motorcycle Lift.
9. The working area should be sufficiently lit.
10. Foot controller should be at least 3 feet away from Air Motorcycle Lift during raising and lowering operation.
11. Lift is recommended for indoor use only.



**NOTE: READ ENTIRE MANUAL TO COMPLY WITH ALL SAFETY AND SERVICE PRECAUTIONS. DEATH, PERSONAL INJURY AND/OR PROPERTY DAMAGE MAY OCCUR UNLESS INSTRUCTIONS ARE FOLLOWED CAREFULLY.**

## **INSTRUCTIONS**

### **UNPACKING AND SET-UP**

Open carton, then remove ramp, and shipping boards. Carefully extend scissor (lift is upside down) and set locking bar in highest setting. The lift may now be rolled onto its side then rolled to the upright position. Make sure lock stays engaged while lift is turned to upright position.

**A** Connect foot-operated air valve to 100 psi air supply. The lift may be damaged and/or personal injury may result if the pressure exceeds the maximum 100 psi rating.

Stand clear of lift table, and depress the UP side of foot valve to raise table.

To lower table, lift safety detent bar from safety latch and lower to next position or to floor.

Insert ramp mounting pins into holes at either end of table to mount ramp.

NOTE: If cycle vise is being installed, ramp must be mounted opposite the cycle vise.

### **OPERATION**

- A** 1. Loads must be centered on table at all times.
- A** 2. Loads must be firmly positioned and secured with straps on table at all times.
3. All moving parts have been lubricated at the factory and should be re-lubricated every (6) months to prevent galling. Grease zerks are located at each end of frame pivot shaft and at top ends of inside frame assembly.
4. Lightly oil cylinder rod when it becomes dry.
5. Squirt some oil through air bleed hole in plate end of cylinder to lubricate piston and its seal every (6) months.
6. Pivot shaft set screws should be checked frequently to be sure they are tight. These are located at the top end of the inside frame assembly.

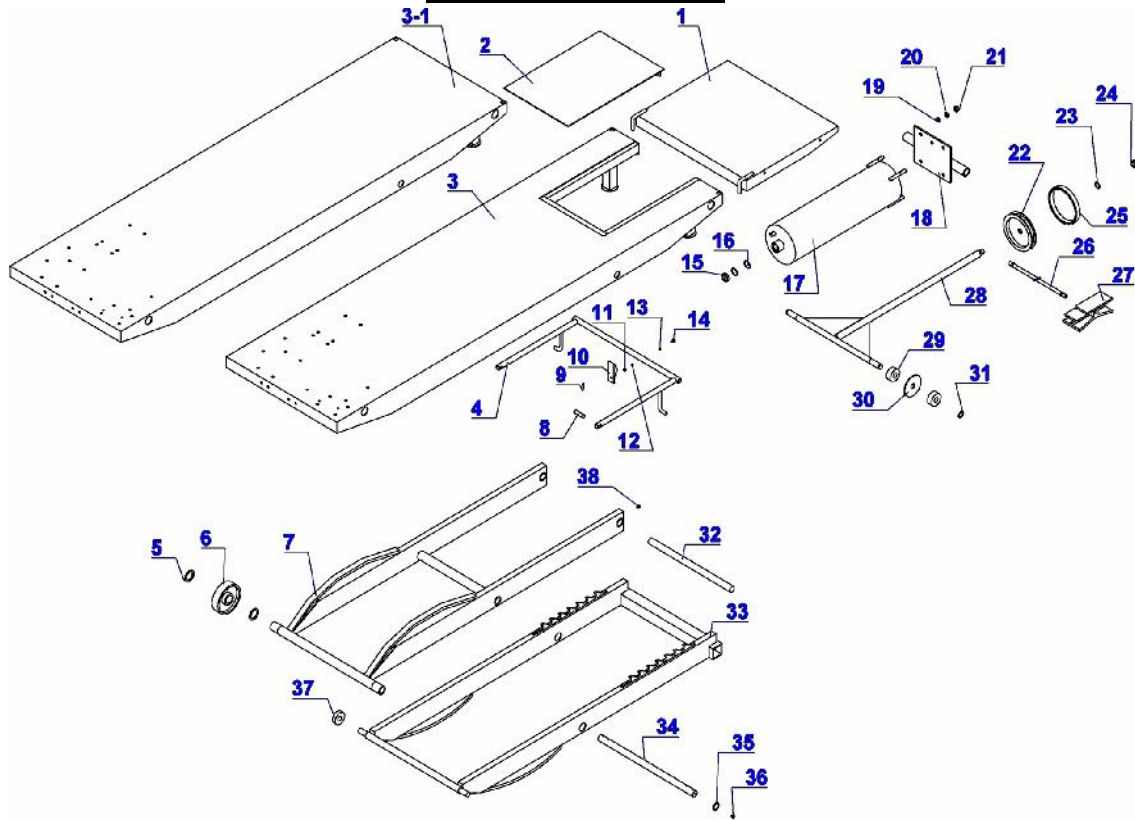
### **OTHER OPTIONS AVAILABLE**

Separate installation instructions included with option.

<b>DESCRIPTION</b>
<b>FRONT EXTENSION (TX-CE)</b> – Extends lift top to 93” for longer wheel base motorcycles
<b>FRONT CYCLE VISE (TX-Vise)</b> – Used to stabilize motorcycle while on lift
<b>SIDE EXTENSION SET (TX-XLT)</b> – Expands width of lift from 24” to 48” includes stabilizer bar

# TX-1000 MOTORCYCLE LIFT

## REPLACEMENT PARTS



ITEM	DESCRIPTION	QTY
1	Ramp	1
2	Drop out cover	1
3	Top assembly	1
3-1	Top assembly	1
4	Detent bar	1
5	Retaining ring	4
6	Wheel	2
7	Scissor frame A	1
8	Clevis pin	2
9	Cotter pin	2
10	Detent clip	1
11	Nut	1
12	Washer	1
13	Lockwasher	1
14	Screw	1
15	Wiper ring	1
*16	O-ring	2
17	Cylinder	1
18	Cylinder end plate	1
19	Washer	4

ITEM	DESCRIPTION	QTY
20	Lockwasher	4
21	Nut	4
22	Piston	1
*23	O-ring	1
24	Nut	1
25	Piston seal	1
26	Valve hose w/fitting	1
27	Foot valve assembly	1
28	Cylinder shaft assembly	1
29	Cam roller bearing	4
30	Cam bearing space	2
31	Retain ring	2
32	Cylinder pivot shaft	1
33	Scissor frame B	1
34	Frame pivot shaft	1
35	Retaining ring	2
36	Oil cup	4
37	Track roller bearing	2
38	Screw	2

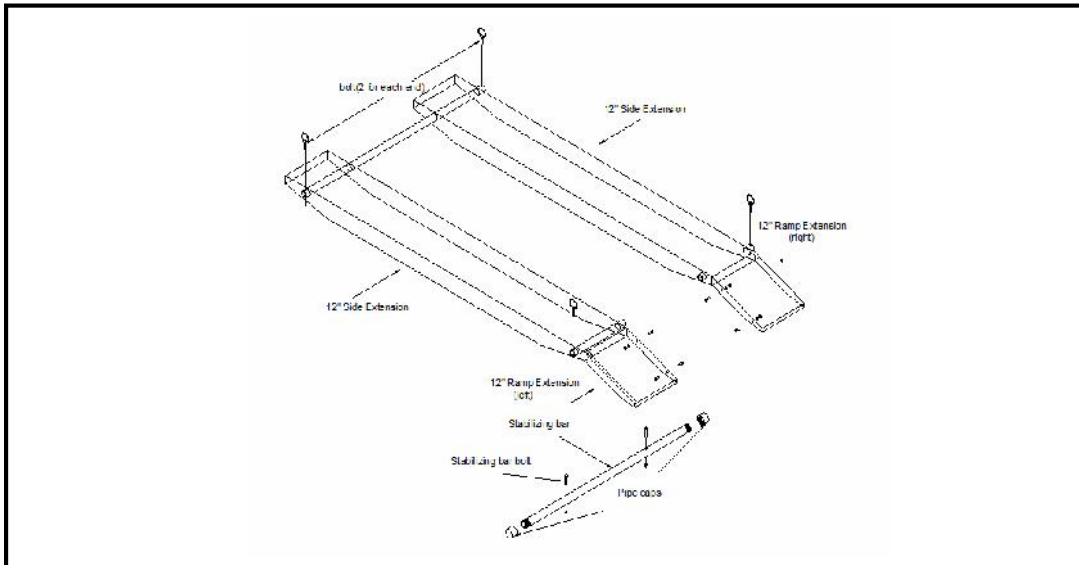
\* Easily Worn Parts

# TX-XLT 12" SIDE EXTENSION

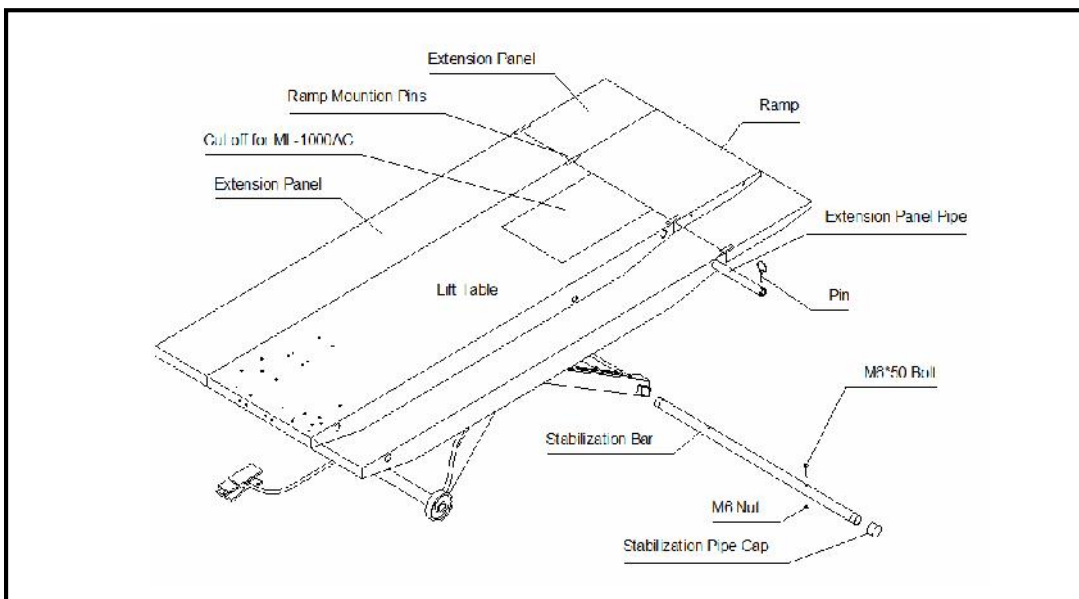
---

## Installation Instructions

### MOUNTING INSTRUCTIONS



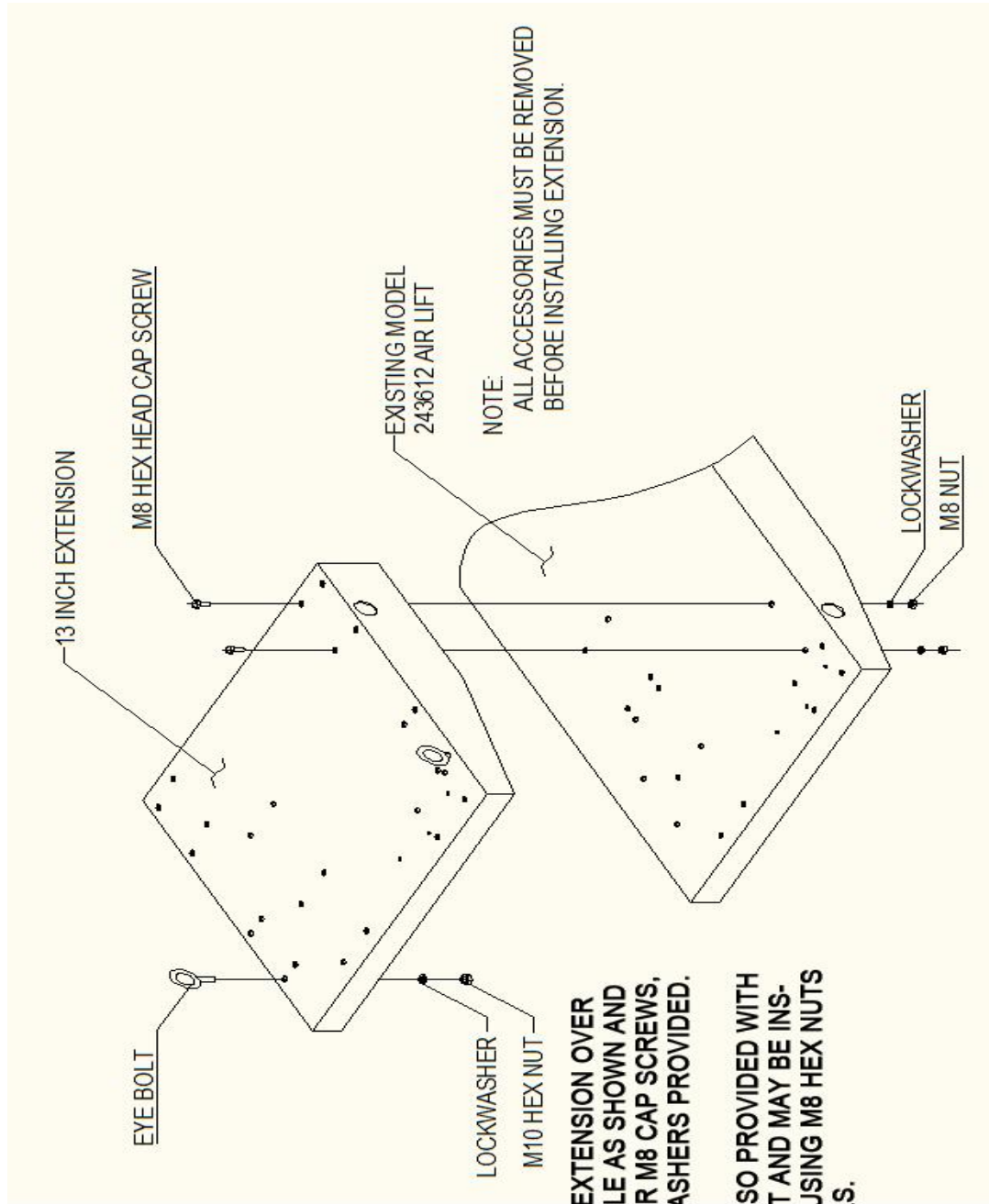
1. Insert pipes from extension panel package through holes in lift table.
2. Mount panels on ends of pipe on each side of table. With ramp hole to outside.
3. Insert M8 BOLT provided through holes in each end of pipe.
4. Secure ramp extensions to ramp with bolts provided. Make sure ramp hooks are positioned on the outside.
5. **Stabilization bar directions** – Unscrew cap from one of the ends of the stabilization pipe, Insert bolt in drilled out hole and tighten with nut. Slide pipe through the stationary square tubing on the lift legs. Insert the other bolt, tighten down with nut. Put on the other cap and tighten.





# TX-CE 13" FRONT EXTENSION

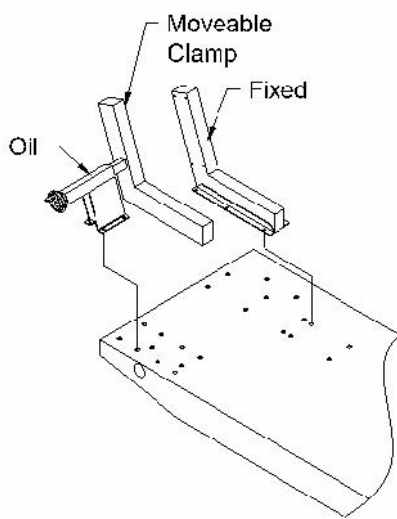
## Installation Instructions



# TX-Vise Cycle Vise

## Installation Instructions

The TX-Vise mounts directly onto the TX-1000 Motorcycle Lift



Align two inside hole of the fixed clamp over the existing vise hole pattern as show.

Align the moveable clamp with the locating corner hole.

