



**WEAVER**

E Q U I P M E N T

**Weaver W-1500 Motorcycle Lift**

Please read this manual before operation

# WEAVER

L I F T



## W-1500 Installation & Operation Manual

1500 lb. Capacity  
Motorcycle Lift



**Derek Weaver Company,  
Inc.**

2944 SE Loop 820  
Fort Worth, TX 76140  
817-560-9510

[www.derekweaver.com](http://www.derekweaver.com)

## W-1500 Assembly Instructions

### List of Parts in crate

1. 1 Piece Main lift mostly assembled
  - a. Hydraulic hose is attached to cylinder and has orange protector on the end of the hose. The hose has the male piece of high pressure connector to connect hose to pump.
  - b. Casters are pre-installed.
  - c. Locking mechanism is pre-installed and adjusted.
2. 1 Piece Main lift approach ramp
3. 2 Pieces Side Extension
4. 2 Pieces Side Extension Ramp
5. 1 Piece Front Extension
6. 3 Pieces tubing for attaching side extensions – each tube has one hole drilled in each end.
7. 1 Piece tubing no holes. Used as stabilization bar.
8. Vise
  - a. One fixed side
  - b. One adjustable side
  - c. Handle assembly with screw mechanism
9. Hardware kit

### Pump in separate box

1. Pump – pressure and air port are plugged
  - a. Pump is filled with oil.
2. Female end of high pressure connector

### Assembly

1. Remove box from top of lift and inventory parts in box
2. Uncrate lift and inventory parts in crate
3. Remove pump from box
  - a. Purchase male air fitting that is compatible with the female air fitting you will use. Air fitting is 1/4" NPT.
4. Insert air fitting in the port on the end of the pump that says “PUMP” on the pedal.
5. Insert the high pressure fitting on the end of the pump that says “RELEASE” on the pedal.
6. Attach the end of the hose coming from the lift to the fitting on the “RELEASE” end of the pump.
7. Adjust air pressure to 100PSI
  - a. It is recommended that you use a water trap and oiler for the air feed to the pump to extend the life of the pump.
8. Attach your air line to the air fitting on the pump.
9. Prior to using the pump make sure the oil reservoir vent is in the open position.
  - a. The vent is a brass thumbscrew on the RELEASE end of the pump in the left corner.

- b. If the vent is left closed the operation of the lift will be negatively impacted.
  - c. When the lift is not in use shut the vent.
10. Depress the “PUMP” end of the pump pedal
  - a. The pump will engage and begin to raise the lift.
11. Raise the lift to a comfortable work height.

### **Front Extension Assembly**

1. Front extension slides over the main body of the lift.
2. It is recommended the Front Extension be used with the Side Extensions as the tubes that hold the side extensions in place also hold the front extension in place.

### **Side Extension Assembly**

1. There are three holes in the main body of the lift.
2. Place one tube with a hole drilled in each end through each one of the holes in the lift.
3. There are three corresponding holes in each of the side extensions. Carefully slide the side extension onto the three tubes protruding from the main body of the lift.
4. Perform the same task with each side extension.
5. In the hardware bag there are 6 pins with clips.
6. Install one pin each hole in the end of the side extension tube.
7. Put one clip in each of the 6 pins to deter the pins from becoming dislodged.

### **Front Wheel Vise Assembly**

1. Attached the handle assembly to the moving side of vise using four bolts and washers. The moving side of vise is drilled and tapped to receive the four bolts.
2. The moving side of the vise is attached to the left side of the main body of the lift using 4 predrilled holes and hardware.
  - a. If not using the front extension the vise will mount to the front of the main body of the lift using the predrilled holes.
  - b. If using the Front Extension the vise will mount to the front of the front extension using the predrilled holes.
3. The fixed or non moving side of the vise mounts right of center of the lift using the 6 predrilled holes and hardware.
4. The vise operates by rotating the handle to adjust the width of the vise to lightly squeeze the motorcycle tire.
5. It is **RECOMMENDED** that Tie Downs are used to secure the motorcycle when on the lift.
6. Install 2 eye bolts
  - a. With front extension installed the eye bolts are secured using the predrilled holes in the front center of the side extension and provided hardware.
  - b. Without the front extension the eye bolts are secured using the predrilled holes in front corners of the main body of the lift and provided hardware.

## **Approach Ramps**

The approach ramps hook into the holes in the main body of the lift and the holes in the side extensions of the lift.

## **Stabilizer Bar**

1. The stabilizer bar is placed through the base of the lift toward the rear. It goes through a hole. Place the stabilizer feet in each end of the stabilizer bar so they make contact with the floor. The ends are cast pieces, silver in color flat on the bottom and angled on the top. There is a round protrusion that is placed inside each end of the stabilizer bar.

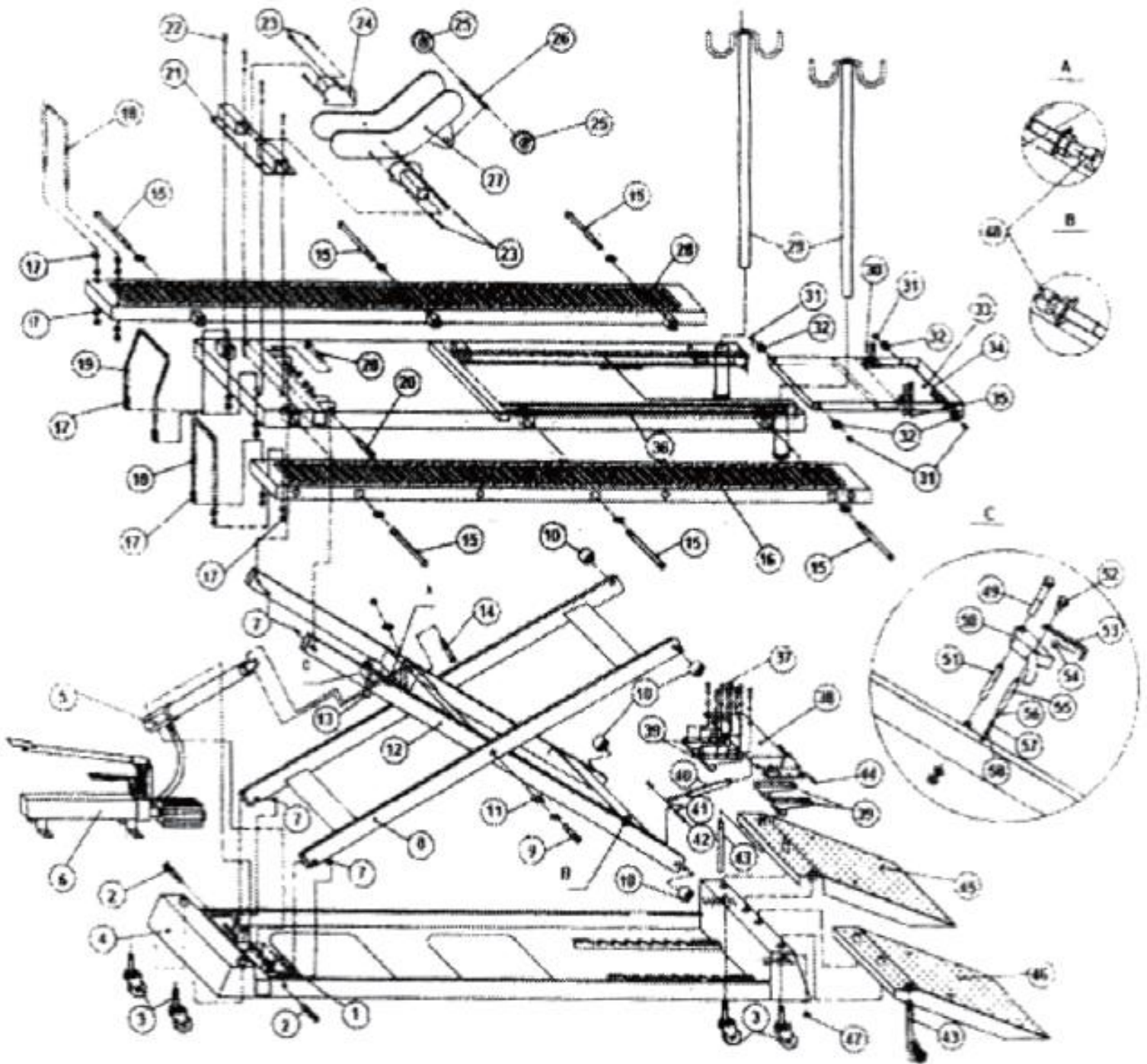
## **Locking Mechanism**

1. The lock release mechanism is located on the left side of the lift if facing it as you would ride your bike onto the lift.
2. There are two detents for the lock release lever. The upper detent is unlocked position and the lower detent is the locked position.
3. While raising the lift place the lock release lever in the lower detent so the lock is engaged as you raise the lift.
4. When you get to the desired height, press the Release side of the pump foot pedal and lower the lift into a locked position. When using the lift in the up position rest the lift in a locked position. The hydraulics are used for raising and controlled lowering. The mechanical lock is used for maintaining the lift in the up position.
5. To lower the raise about 1.00" out of the locked position. Move the lock release lever to the up position.
6. Make sure your feet, tools and all objects are removed from under and around the lift.
7. Press the Release side of pump foot pedal to lower the lift.

## Lift Operation

1. Lift must be fully lower and service bay clear of all personnel before the vehicle is loaded onto the lift.
2. Motorcycle Loading
  - a. Put Motorcycle onto lift. Be sure motorcycle is center on lift from side to side.
  - b. Stop when motorcycle front tire is in the tire clamp and contacts front wheel stop.
  - c. Secure motorcycle to lift using front wheel clamp and straps.
  - d. **STRAPS MUST BE USED TO SECURE MOTORCYCLE TO LIFT. FRONT WHEEL CLAMP IS FOR TEMPORARY HOLDING ONLY.**
3. To Raise Lift
  - a. Release lock handle from lift.
  - b. Actuate raise button on foot pedal
  - c. Raise to desired height. Note: Locking mechanism should make a clicking sound as it passes each lock position during raising. If not, stop and lower lift to ground and repeat step 4.
  - d. When desired height is reached, actuate lower button on the foot pedal and lower lift onto locks.
  - e. **DO NOT USE LIFT IF LOCKING LATCHES ARE NOT ENGAGED.**
4. While Using Lift
  - a. Avoid excessive rocking of motorcycle while on lift.
  - b. Using motorcycle jack can allow for access to rear tire service.
5. To Lower Lift:
  - a. Remove tools or other objects from lift area.
  - b. Actuate raise button on the foot pedal to raise the lift of locking latches.
  - c. Disengage lock mechanism using lock release handle.
  - d. Actuate lowering button on foot pedal to lower lift.
6. Remain clear of lift when lowering. Beware of pinch points when lowering.
7. Pay close attention when lowering to make sure the lift is operating properly.
8. Remove motorcycle from the lift.

# Parts Breakdown



<b>Part No.</b>	<b>Description</b>	<b>Quantity</b>
1	M16 A110 Bolt, Nut & Washer	1
2	M14 A110 Bolt, Nut & Washer	1
3	2" Caster	4
4	Base Assembly	1
5	Hydraulic Jack	1
6	Pneumatic/Hydraulic Pump	1
7	Bearing 1520	6
8	Link Rod 1	1
9	M20 A120 Bolt, Nylon Nut & Washer	2
10	Tire	4
11	Bearing 2020	8
12	Link Rod 2	1
13	Ball Handle	1
14	M16 A70 Bolt, Nut & Washer	1
15	M16 A370 Bolt & Washer	6
16	Shoulder Right	1
17	M12 Nut & Washer	12
18	U Bolt	2
19	U Bolt	1
20	M14 A80 Bolt, Nut & Washer	2
21	Base Clamp	1
22	M12 A25 Bolt, Nut & Lock Washer	4
23	M8 A12 Bolt & Lock Washer	6
24	Block	2
25	Handle - Clamp	2
26	Screw Rod	1
27	Clamp	2
28	Shoulder Left	1
29		
30	M5 30 Bolt	6
31	M8 Bolt, Nut & Washer	4
32	Nylon Tire	4
33	Deck Plate Moveable	1
34	Lock Assembly Deck Plate	1
35	M5 Lock Nut	6
36	Deck Plate Main	1
37	M6 A18 Bolt & Washer	16
38	Safety Plate	1
39	Safety Block	4
40	Link Rod	2
41	M8 Washer	1
42	M8 50 Bolt, Nut & Washer	2
43	Ramp Stand	1
44	M8 A25 Bolt, Nut & Washer	1
45	Ramp N Left	1
46	Ramp N Right	4
47	Snap Ring D14	2
48	M8 25 Bolt & Nut	1



49	M8 60 Bolt, Nut & Washer	1
50	Release Handle	1
51	Copper Ring	1
52	M6 Bolt	1
53	Cable Link Plate	1
54	Release Cable	1
55	Guide Ring	1
56	Rod	1
57	Spring	1
58	M12 12 Bolt	1

# Pump Parts Breakdown

