



WEAVER

E Q U I P M E N T

Weaver W-7 Rolling Jack

Please read this manual before operation

I . FEATURE AND SPECIFICATIONS

1. WEAVER W-7 features:

- Safety self-lock mechanism
- Convenient for use.
- Can be used separately or match with lifts (four post, PX scissors, etc.)
- Adjustable adaptor assy.

2. Differences between WEAVER W-7 and WEAVAR W-7.

The structure of the WEAVER W-7 and WEAVAR W-7 is the same, but WEAVER W-7 is matched with air pump while WEAVAR W-7 is matched with hand pump.



SPECIFICATIONS

Model	Lifting capacity	Lifting height	Lifting times	Overall length	Overall width	Min.height	G.W.	Air source (Mpa)
WEAVER W-7	2. 8T	495mm	50s	920mm	469mm	240mm	120kg	0.4~0.6

II. Installation

1. Jack can start to work after connecting the pump.

1.1 WEAVER W-7 is connected with the air pump(Fig.1), J6H is connected with hand pump (Fig. 2) .

Note: Connect the air line fitting of the air pump with air source, air pressure must be at 0.4-0.6 MPA.

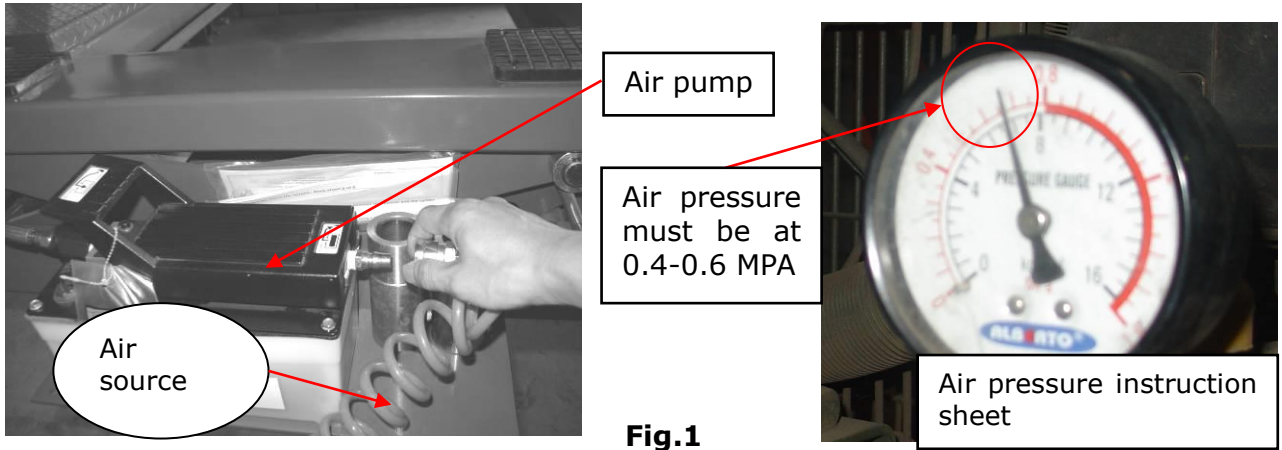


Fig.1

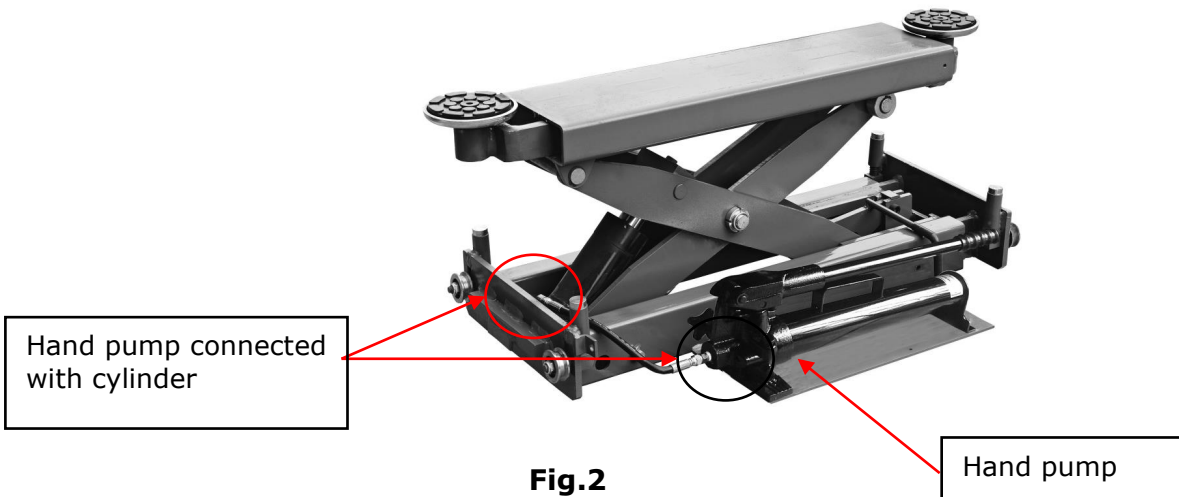
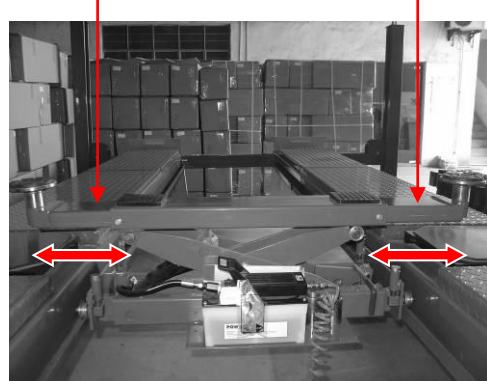
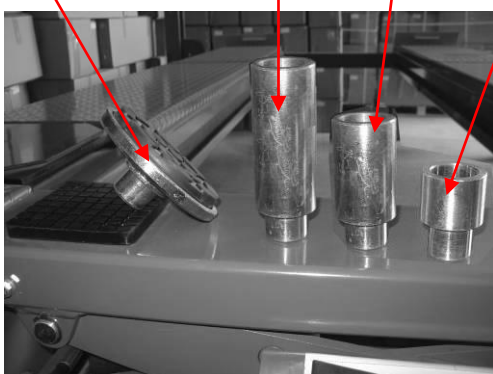
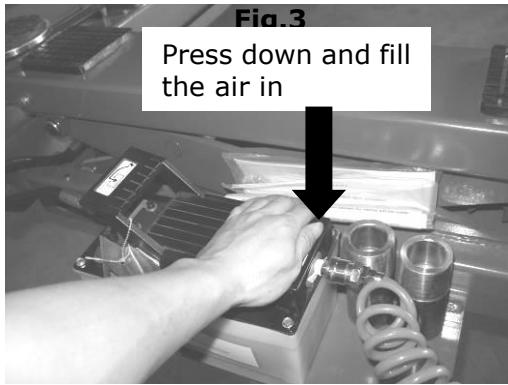


Fig.2

2. Lift vehicles: choose the suitable adapters (Fig. 3); Extend the upper extension to proper length to fit the lifting point of the vehicle(Fig. 4); Fill air into the oil pump (Fig.5); Raise the Jack and lock the Jack in the safety lock(Fig. 6)

Rubber pad assy. 5" adapter 2.5" adapter 1.5" adapter Upper Extension (Left) Upper Extension (Right)





Way for J6A to fill the air in

Fig. 4

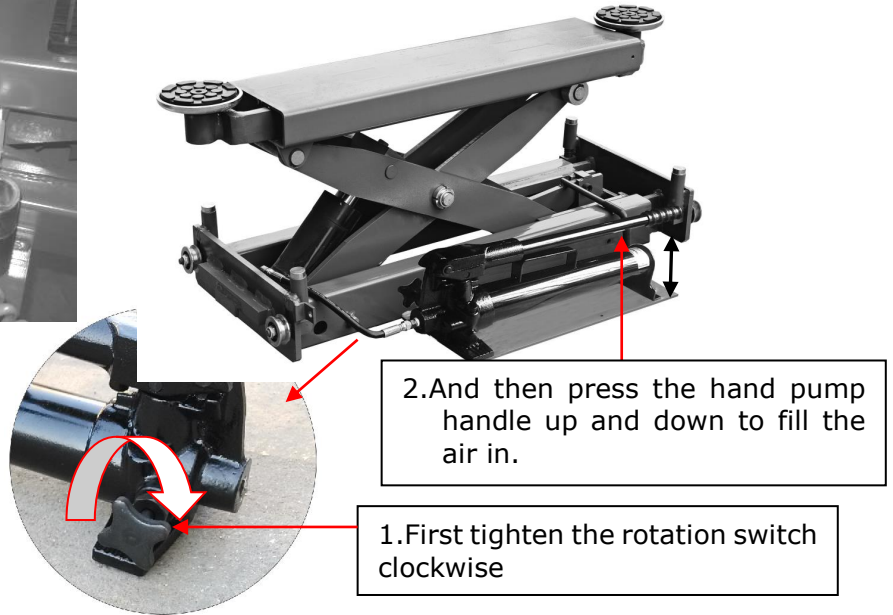
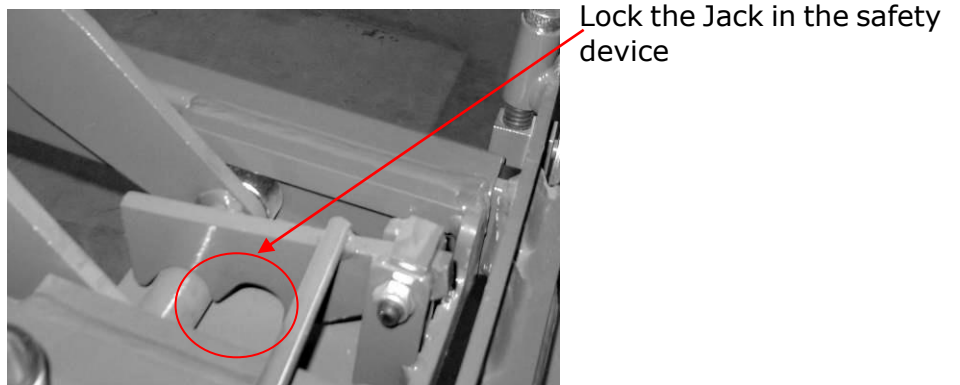


Fig. 5

Way for J6H to fill the air in



图六

3. Lower the Jack.

3.1 Raise the Jack for few seconds to release the safety device, and then open the safety device by the safety device handle. (Fig. 7, Fig. 8)



Fig. 7



Fig. 8

3.2 Lower the Jack

- ① Press the control plate of the air pump, WEAVER W-7 will going down to the lowest position (Fig. 9)
- ② Press the control plate to the level position while the WEAVER W-7 stop lowering. (Fig.10)
- ③ Adjust the rotation switch of hand pump counter clockwise to lower the J6H. (Fig.11)

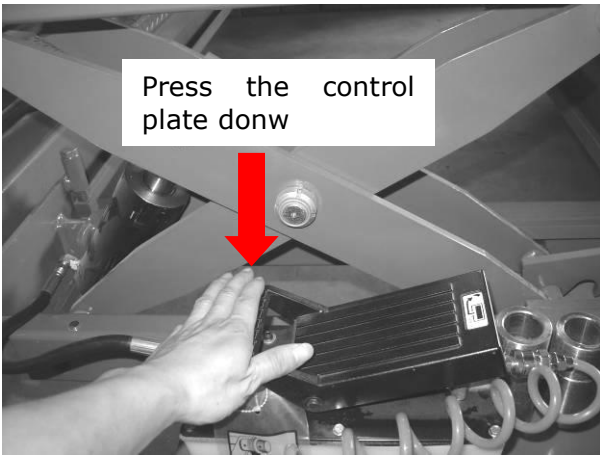


Fig. 9

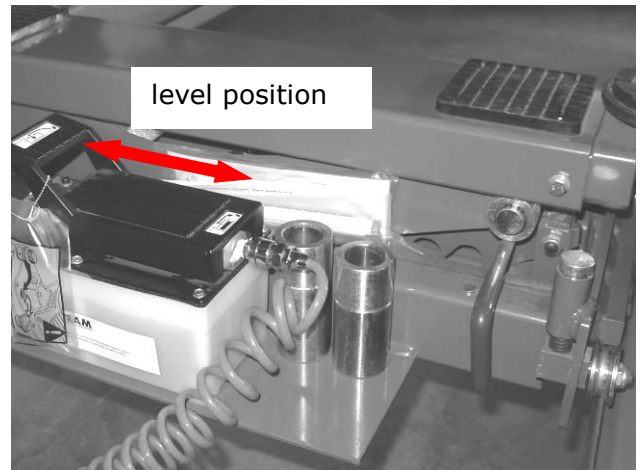
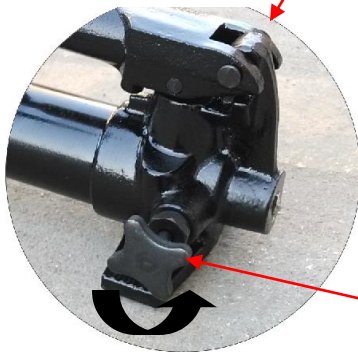
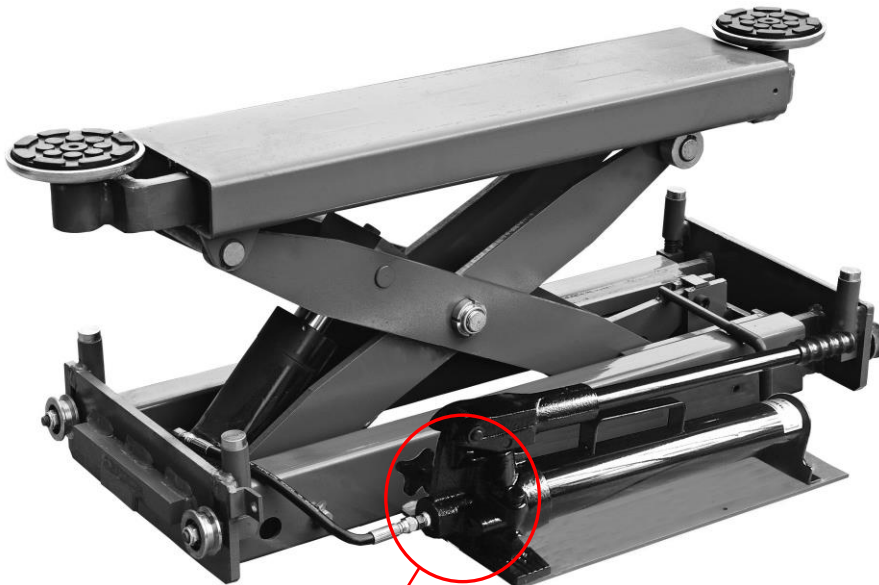


Fig.10



Adjust the rotation switch of hand pump counter clockwise to lower the WEAVER W-7

Fig.11

III.Exploded View

WEAVER W-7 WEAVER W-7

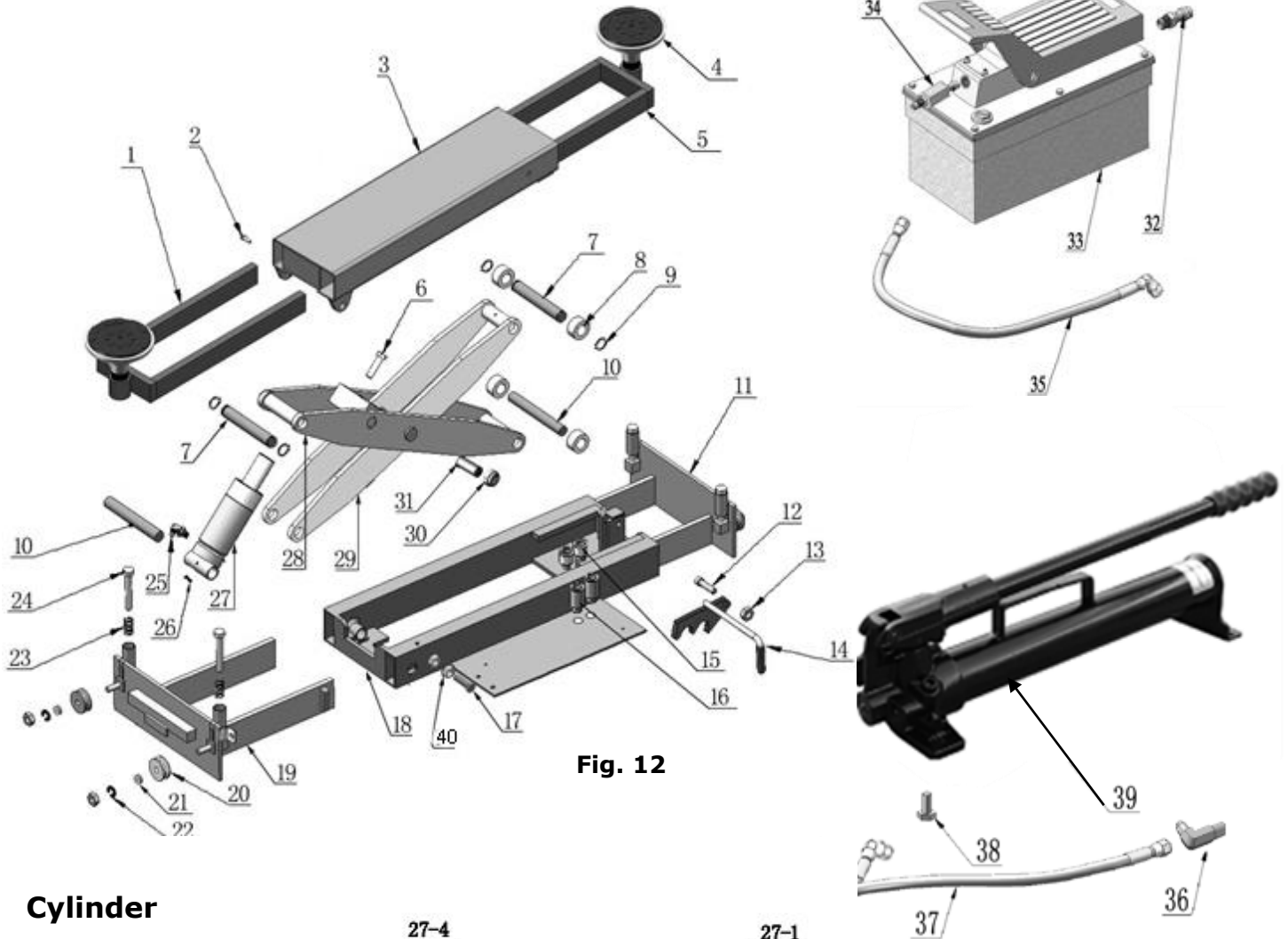


Fig. 12

Cylinder

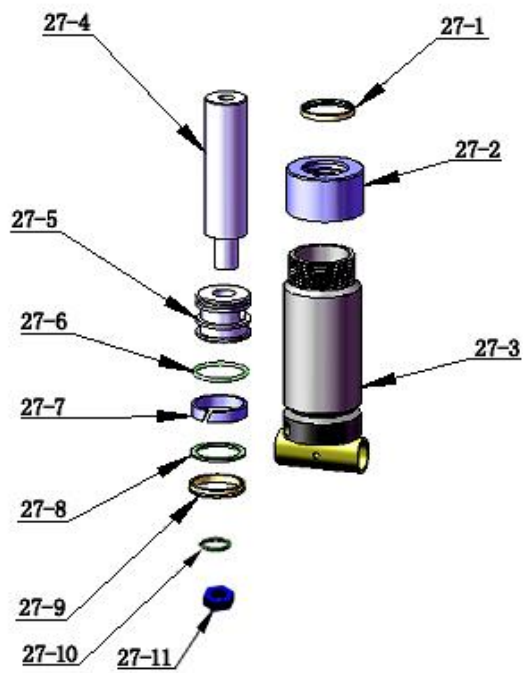


Fig.613

IV.Spare parts for WEAVER W-7

● Parts for lift structure

Item	Part No.	Description	QTY WEAV ER W-7	QTY WEAV ER W-7	Item	Part No.	Description	QTY WEAV ER W-7	QTY WEAV ER W-7
1	680035	Upper Extension (Left)	1	1	21	680031	Bearing	4	4
2	209055	Hex Bolt	2	2	22	680010	Snap Ring	4	4
3	690021	Upper Tube	1	1	23	680018	Spring	4	4
4	680030C	Rubber Pad	2	2	24	680019	Shaft	4	4
5	680042	Upper Extension (Right)	1	1	25	420097	90° Fitting	1	1
6	680055	Hex Bolt	1	1	26	420005	Fixing Bolt	1	1
7	680008	Pin for Upper Roller	2	2	27	680021	Oil Cylinder	1	1
8	680009	Roller	4	4	28	600001	Outer scissor	1	1
9	206032	Snap Ring	4	4	29	600002	Inner scissor	1	1
10	680011	Pin for Lower Roller	2	2	30	620022	Self locking Nut	2	2
11	680038	Lower Extension (Right)	1	1	31	680032	Scissors Pin	2	2
12	680013	Socket Bolt	1	1	32	420146	Fitting For Air line	1	
13	206023	Self locking Nut	5	5	33	670002	Air Pump	1	
14	680015	Safety Device	1	1	34	670005	Throttle valve	1	
15	209051B	Stackable Adapter (1.5")	2	2	35	670004	Oil Hose	1	
16	209052B	Stackable Adapter (2.5")	2	2	36	209064	Straight fitting		1
16A	209053B	Stackable Adapter(2.5")	2	2	37	690004	WEAVER W-7 oil hose		1
17	690019	Hex Bolt	2	2	38	209043	Hex Bolt		2
18	680040	Base	1	1	39	690002	Hand pump		1
19	680039	Lower Extension (Left)	1	1	40	209021	Hex Bolt	2	2
20	680016	Pulley	4	4					

● Parts for WEAVER W-7 Cylinder

Item	Part No.	Description	QTY	Item	Part No.	Description	QTY
27-1	209078	Dust Ring	1	27-7	201029	Support Ring	1
27-2	670006	Head Cap	1	27-8	201030	Y Ring	1
27-3	670007	Bore Weldment	1	27-9	201030A	Support Ring	1
27-4	670008	Piston Rod	1	27-10	206069	O Ring	1
27-5	670009	Piston	1	27-11	206071	Hex Bolt	1
27-6	201031	O Ring	1				